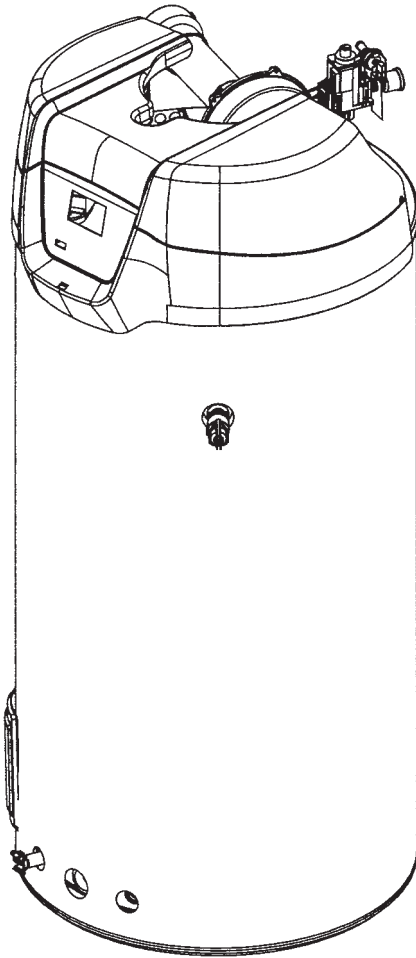


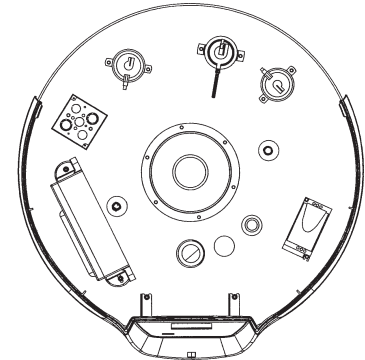
CYCLONE Xi MODEL BTH-300A/400A/500A

See Page 2



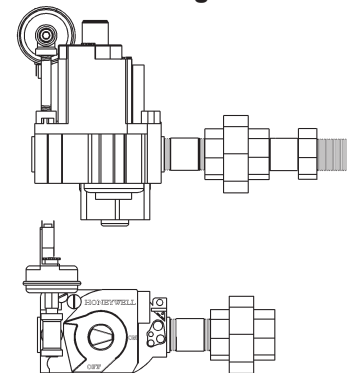
OPERATING CONTROL

See Page 3- 4



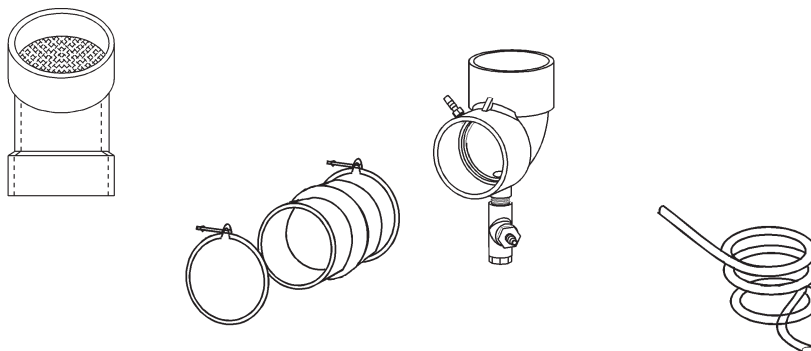
GAS VALVE

See Page 5



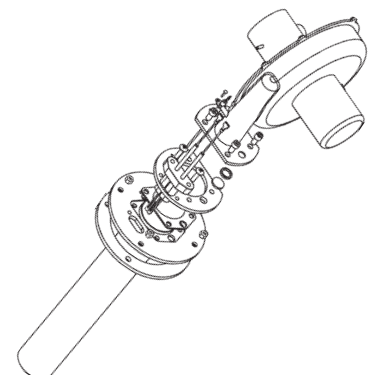
EXHAUST ELBOW, VENT KIT & BLOWER INTAKE PARTS

See Page 6



BLOWER/BURNER ASSEMBLY

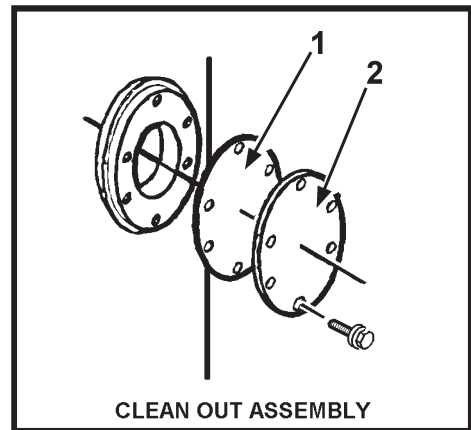
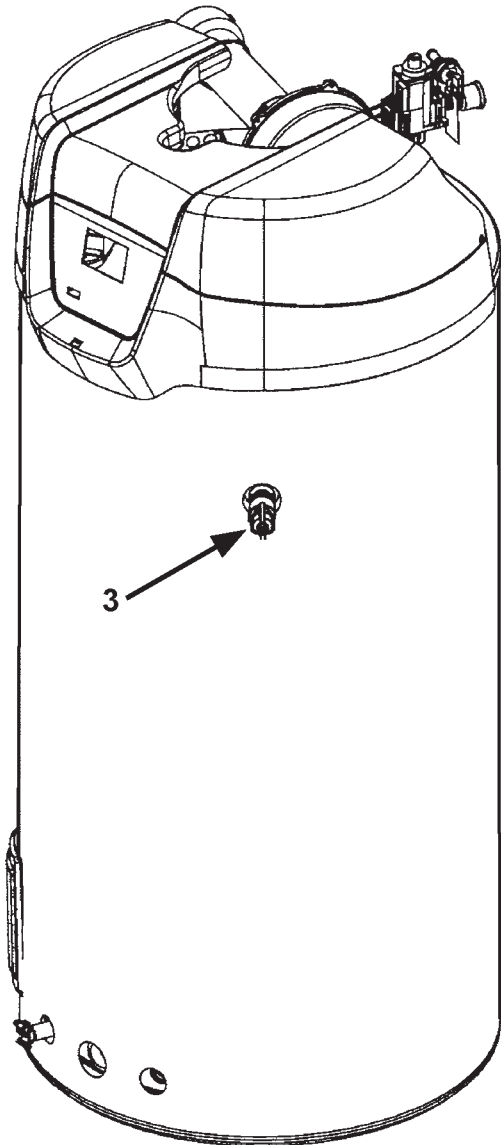
See Page 5



CYCLONE Xi BTH 300A/400A/500A - PARTS LIST

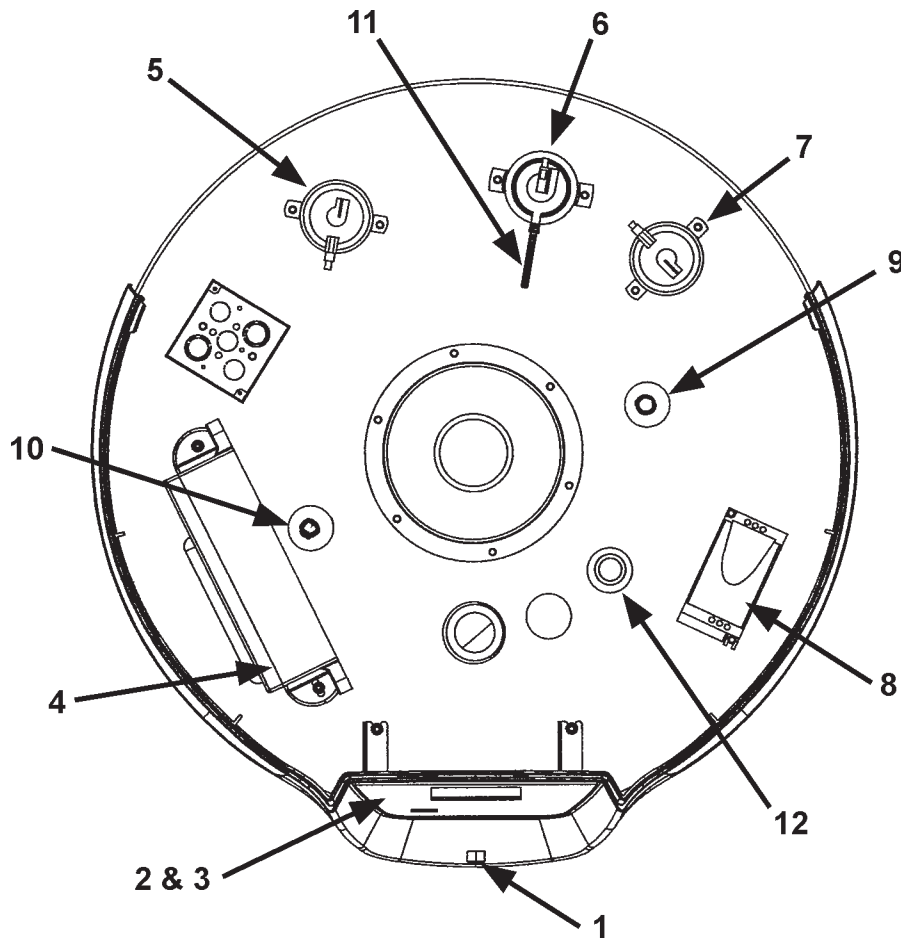
Item	Description	BTH 300A 100/101	BTH 400A 100/101	BTH 500A 100/101
1	Cleanout Gasket	9004099015	9004099015	9004099015
2	Cover, Cleanout	9004098005	9004098005	9004098005
3	Temperature and Pressure Relief Valve	9005903205	9005903205	9005903205

Standard hardware items may be purchased locally.



CYCLONE Xi BTH 300A/400A - OPERATING CONTROLS & WIRING (See Next Page)

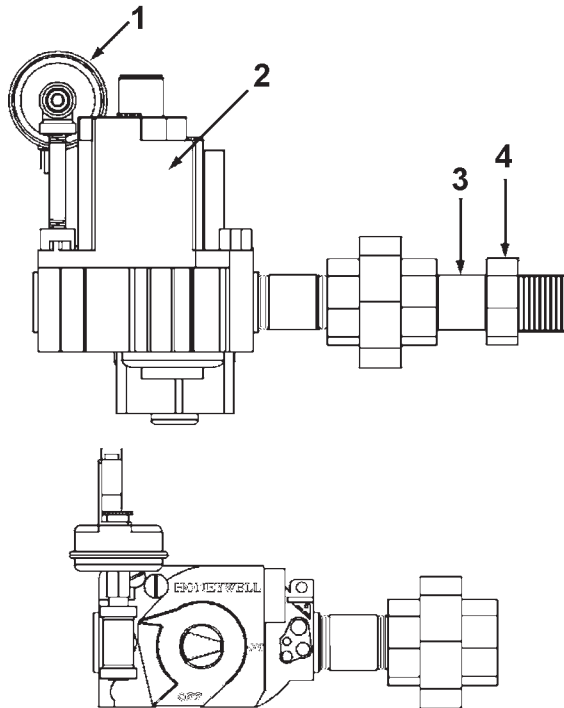
Item	Description	BTH 300A 100/101	BTH 400A 100/101	BTH 500A 100/101
1	Switch, On/Off	9005929215	9005929215	9005929215
2	Display Overlay	9006239005	9006239005	9006239005
3	Display Board	9006240005	9006240005	9006240005
4	Electronic Controller - Natural Gas	9006231005	9006235005	9006237005
4	Electronic Controller - LP	9006232005	9006235005	9006237005
5	Switch, blocked inlet	9006083215	9006006215	9006243015
6	Switch, Blower Prover	9004586215	9006002215	9006244015
7	Switch, blocked outlet	9006087215	9006088215	9006007215
8	VFD Assembly	-----	9006245005	9006245005
9	Powered anode - short	9006247005	9006247005	9006247005
10	Powered anode - long	9006246005	9006246005	9006246005
11	Tubing - 1/4" silicone	9006249015	9006249015	9006249015
12	Probe, upper	9004238215	9004238215	9004238215
13	Probe, lower (not shown)	9006242015	9006242015	9006242015



GAS VALVE

Item	Description	BTH 300A 100/101	BTH 400A 100/101	BTH 500A 100/101
1	Switch, Low Gas Pressure	9006084215	9006084215	9006084215
	LP Gas	9004474215	9004474215	9004474215
2	Valve, Natural Gas	9006085205	9006085215	9006248005
	Valve, LP Gas	9006086205	9006086205	9006086205
3	Orifice, Natural Gas	9006090215	9006091215	9006250015
	Orifice, LP Gas	9006092215	9006093215	9006251015
4	Orifice holder	9006094215	9006094215	9006094215

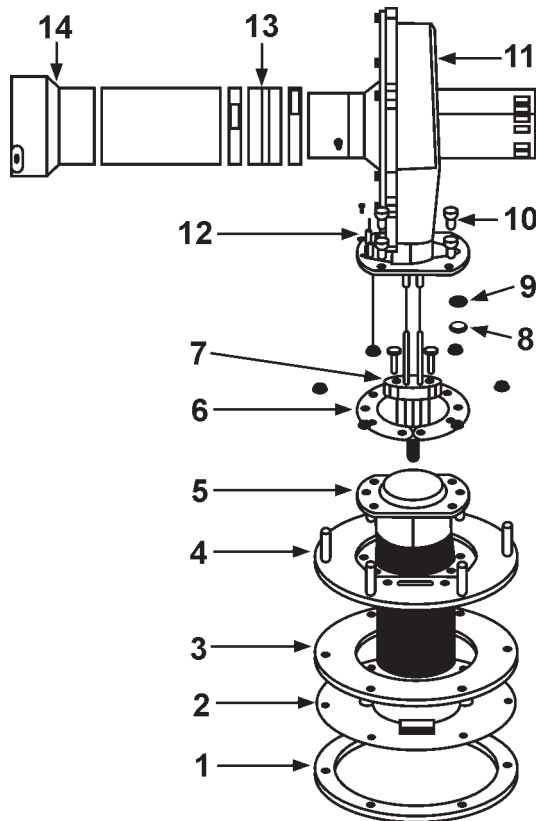
Standard hardware items may be purchased locally.



BLOWER/BURNER ASSEMBLY

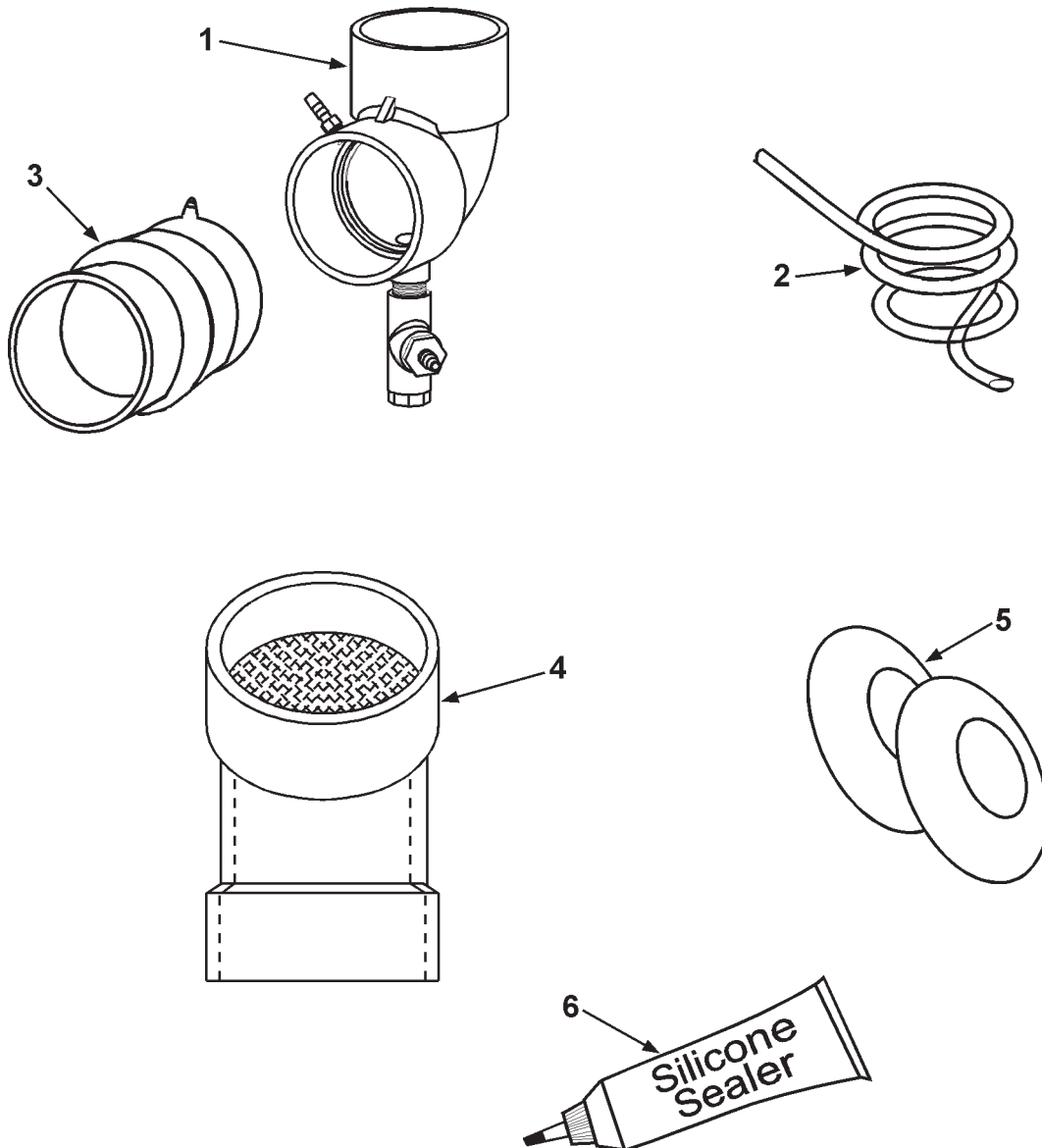
Item	Description	BTH 300A 100/101	BTH 400A 100/101	BTH 500A 100/101
1	Gasket 8"	9006095205	9006095205	9006095205
2	Shield - Heat	9006096205	9006096205	9006096205
3	Gasket - Insulation	9006097205	9006097205	9006097205
4	Flange - Burner	9006098205	9006098205	9006098205
5	Burner Assembly	9006099205	9006099205	9006099205
6	Gasket - Burner	9006100205	9006100205	9006100205
7	Ignitor	9006101205	9006101205	9006101205
8	Window - Observation	9006102215	9006102215	9006102215
9	Gasket - Viewport	9006103215	9006103215	9006103215
10	Screw - Socket Head Cap	9006104215	9006104215	9006104215
11	Blower/Motor	9006105205	9006114205	9006114205
12	Sensor - Flame	9006106205	9006106205	9006106205
13	Coupling - Power Vent	9006107205	9006107205	9006107205
14	Blower Intake Reducer Assembly	9006108205	9006108205	9006108205 </tr

Standard hardware items may be purchased locally.



EXHAUST ELBOW, VENT KIT & BLOWER INTAKE PARTS

Item	Description	BTH 300A 100/101	BTH 400A 100/101	BTH 500A 100/101
EXHAUST ELBOW AND FITTINGS				
1	Exhaust Elbow Assembly	9006109205	9006109205	9006109205
2	Tubing	9006110215	9006110215	9006110215
3	Connector, Exhaust	9006111205	9006111205	9006111205
VENT KIT PARTS				
4	Intake/Vent Terminal	9006112205	9006112205	9006112205
5	Wall Plates (2 required)	9006113205	9006113205	9006113205
6	Silicone Sealer, 2 oz. tube	181564	181564	181564



NOTES:

A.O. Smith
Water Heaters

A.O. Smith Water Heater Parts Fulfillment
125 Southeast Parkway
Franklin, TN 37068
1-800-433-2545
www.hotwater.com