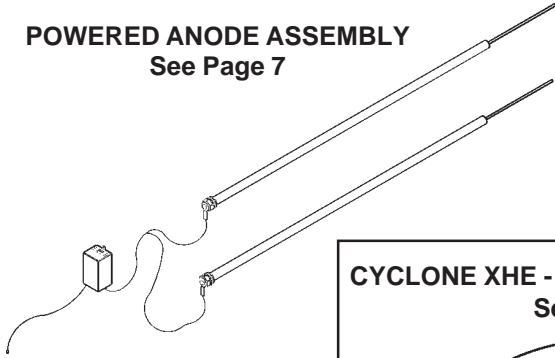
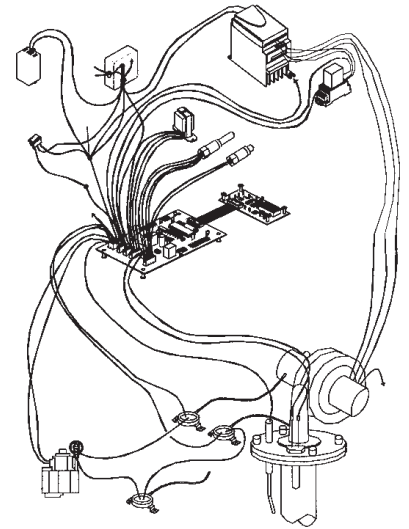


COMMERCIAL WATER HEATER PARTS LIST
Model BTH-300A
Model BTH-400A
Series 976/977

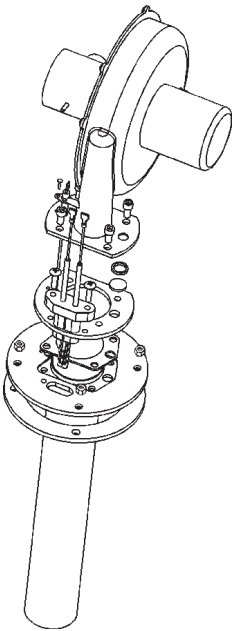
POWERED ANODE ASSEMBLY
See Page 7



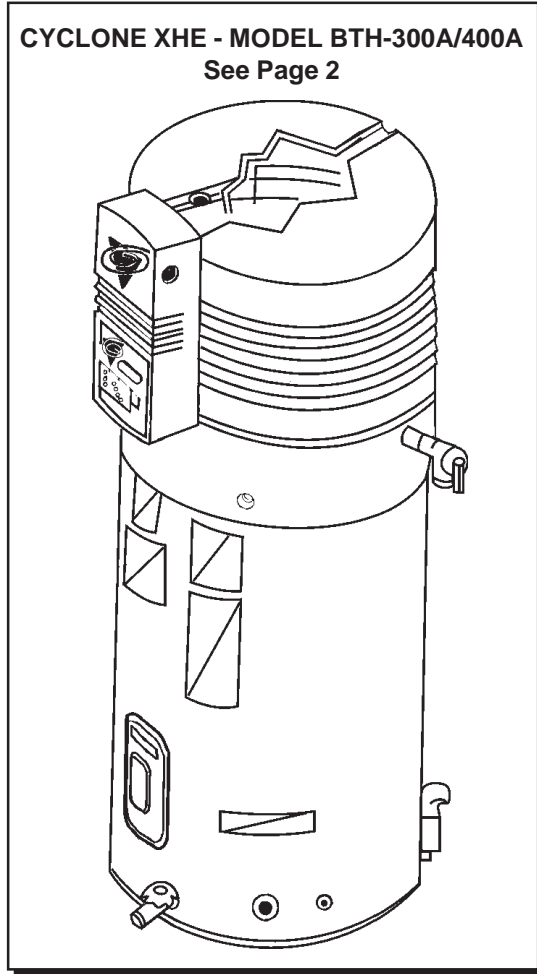
OPERATING CONTROL WIRING
See Page 3- 4



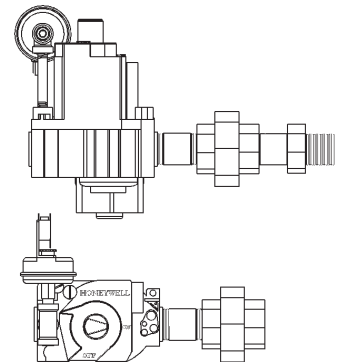
BLOWER/BURNER ASSEMBLY
See Page 5



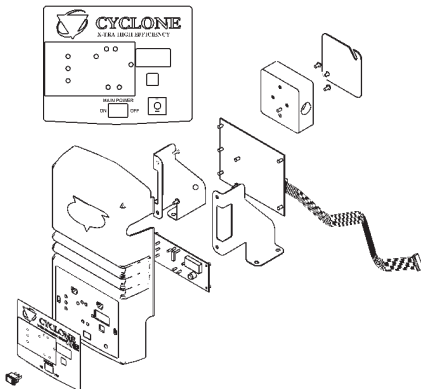
CYCLONE XHE - MODEL BTH-300A/400A
See Page 2



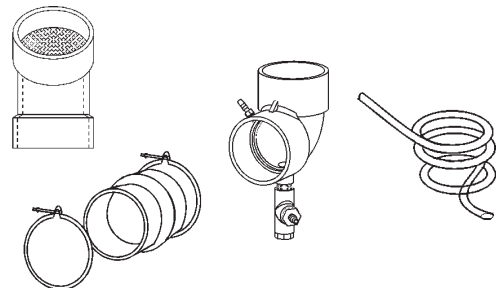
GAS VALVE
See Page 5



CONTROL PANEL
See Page 3



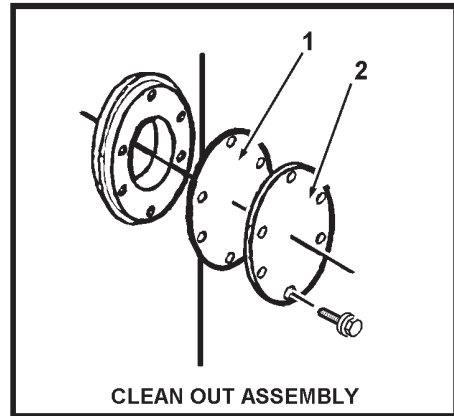
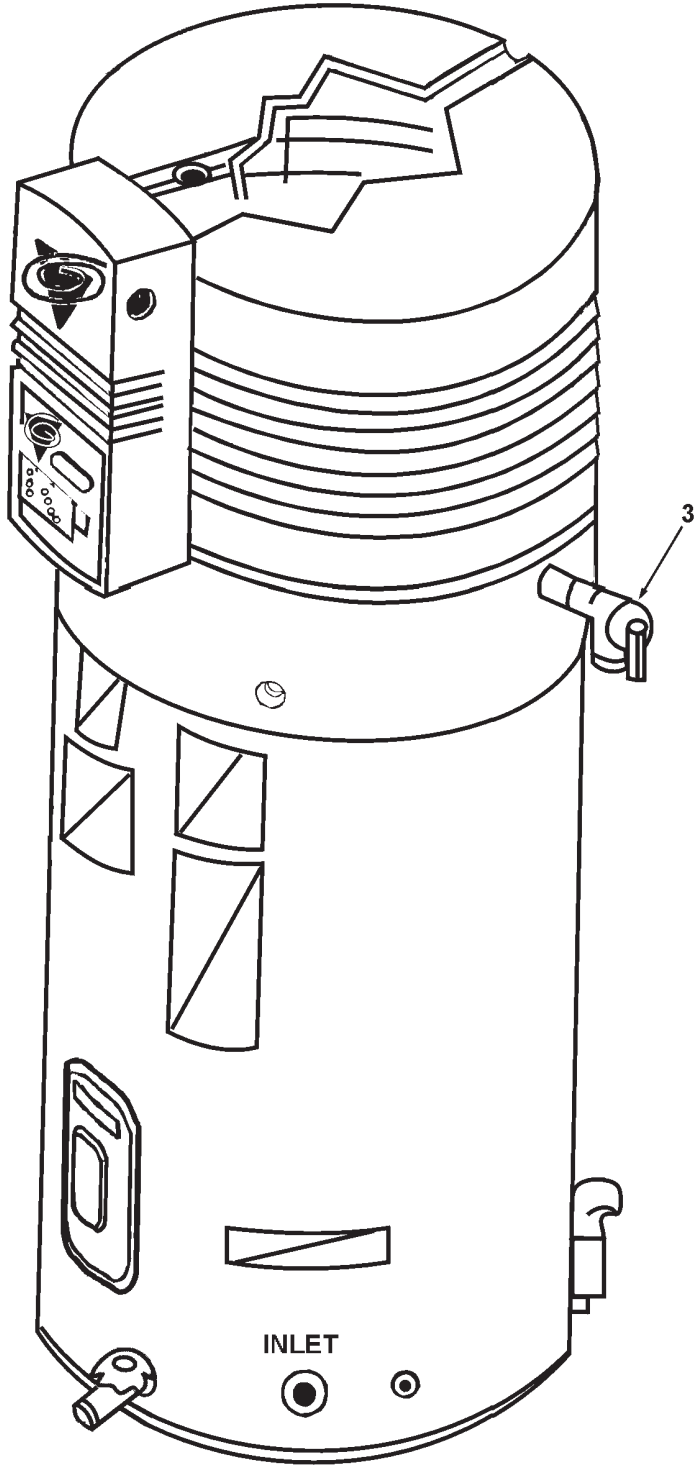
EXHAUST ELBOW, VENT KIT & BLOWER INTAKE PARTS
See Page 6



CYCLONE XHE BTH 300A/400A - PARTS LIST

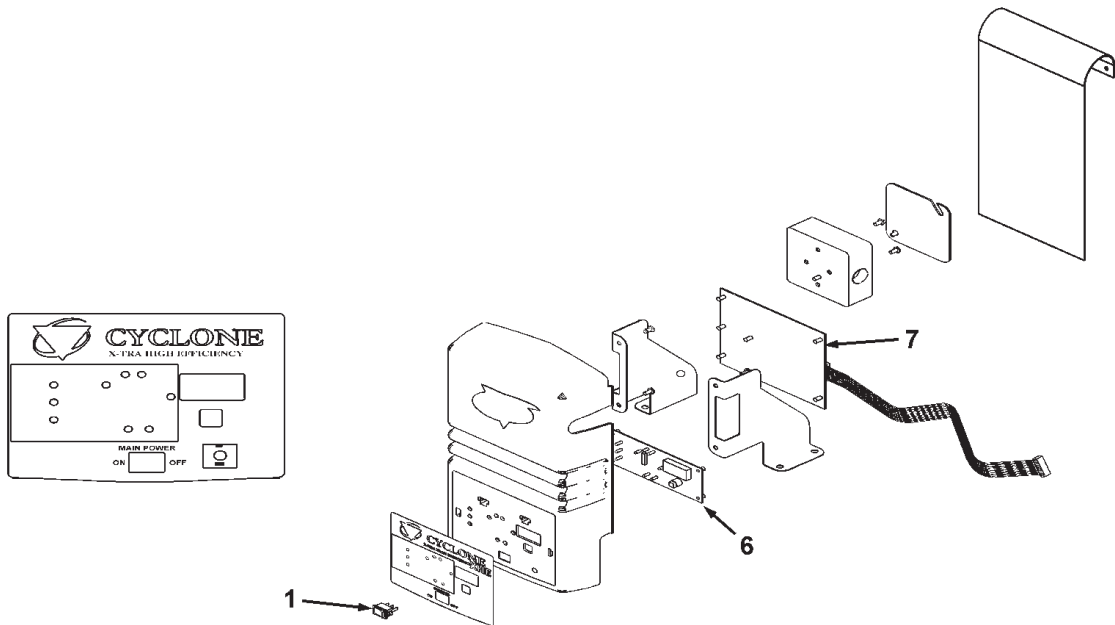
Item	Description	BTH 300A 976/977	BTH 400A 976/977
1	Cleanout Gasket	9004099015	9004099015
2	Cover, Cleanout	9004098005	9004098005
3	Temperature and Pressure Relief Valve ...	9005903205	9005903205

Standard hardware items may be purchased locally.

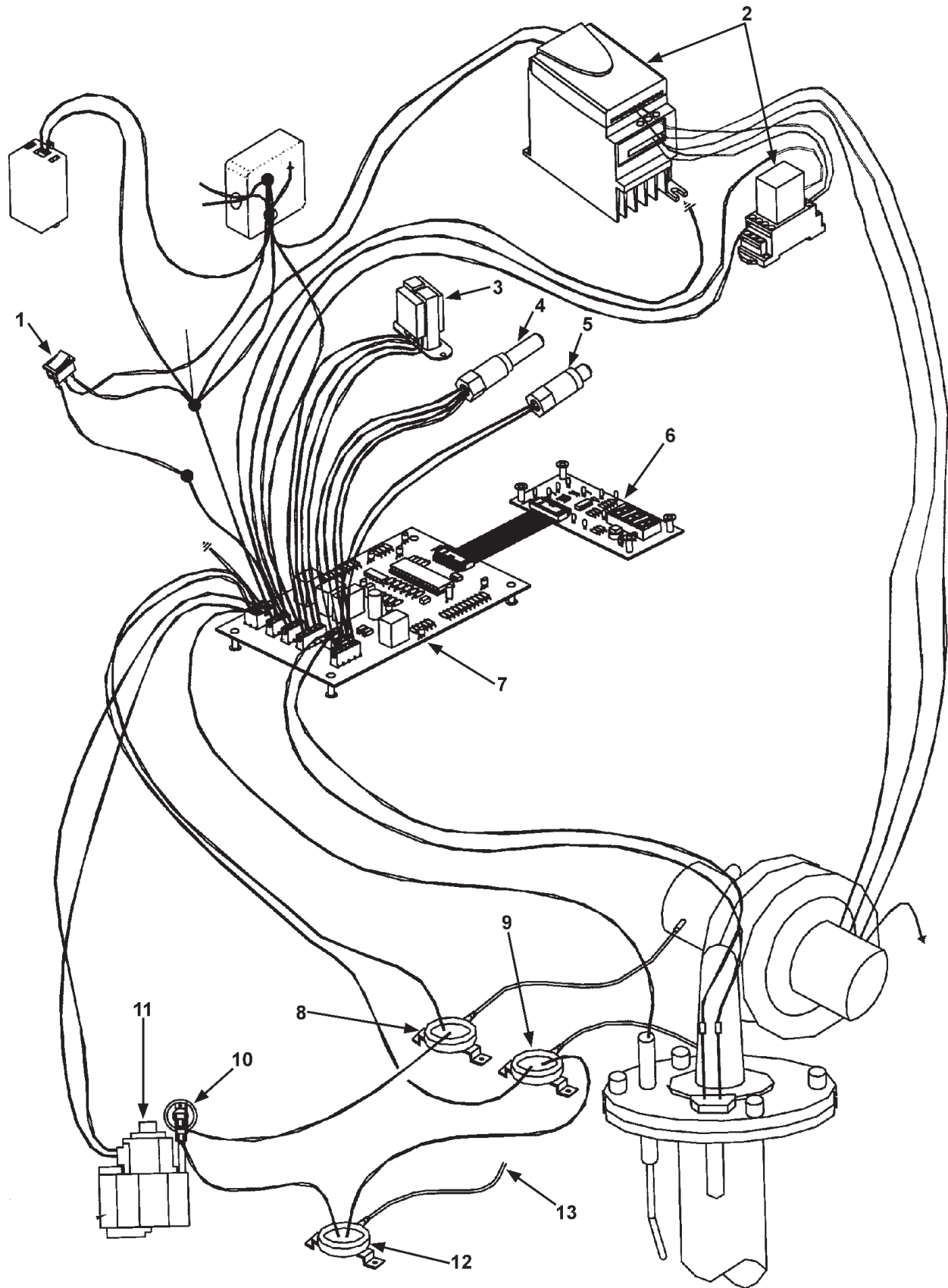


CYCLONE XHE BTH 300A/400A - OPERATING CONTROLS & WIRING (See Next Page)

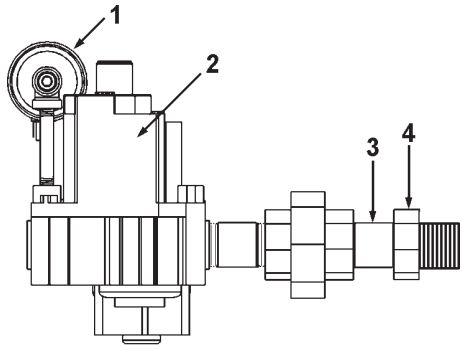
Item	Description	BTH 300A 976/977	BTH 400A 976/977
1	Switch, On/Off	9005929215 ...	9005929215
2	VFD & Control Assembly	-----	9006081205
3	Transformer	9004515205 ...	9004515205
4	Probe, Upper	9004238215 ...	9004238215
5	Probe, Lower	9004241215 ...	9004241215
6	Display Board	9004593205 ...	9004593205
7	Cable Assembly	9006082215 ...	9006082215
8	Switch, Blocked Inlet	9006083215 ...	9006006215
9	Blower Prover Air Switch	9004586215 ...	9006002215
10	Switch, Natural Low Gas Pressure	9006084215 ...	9006084215
10	Switch, LP Low Gas Pressure	9004474215 ...	9004474215
11	Valve, Natural Gas	9006085205 ...	9006085205
11	Valve, LP Gas	9006086205 ...	9006086205
12	Switch, Blocked Outlet	9006087215 ...	9006088215
13	Tubing, 1/4" ID, PVC	9006089215 ...	9006089215



CYCLONE XHE BTH 300A/400A - CONNECTIONS (Continued)

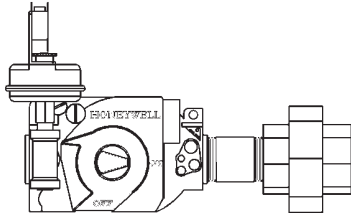


GAS VALVE

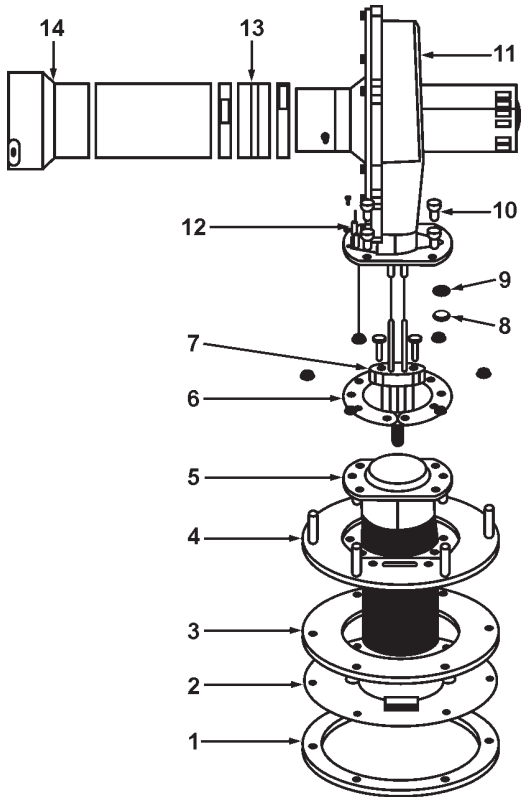


Item	Description	BTH 300A 976/977	BTH 400A 976/977
1	Switch, Low Gas Pressure	9006084215	9006084215
	LP Gas	9004474215	9004474215
2	Valve, NAT Gas	9006085205	9006085205
	Valve, LP Gas	9006086205	9006086205
3	Orifice, NAT	9006090215	9006091215
	Orifice, LP	9006092215	9006093215
4	Orifice holder	9006094215	9006094215

Standard hardware items may be purchased locally.



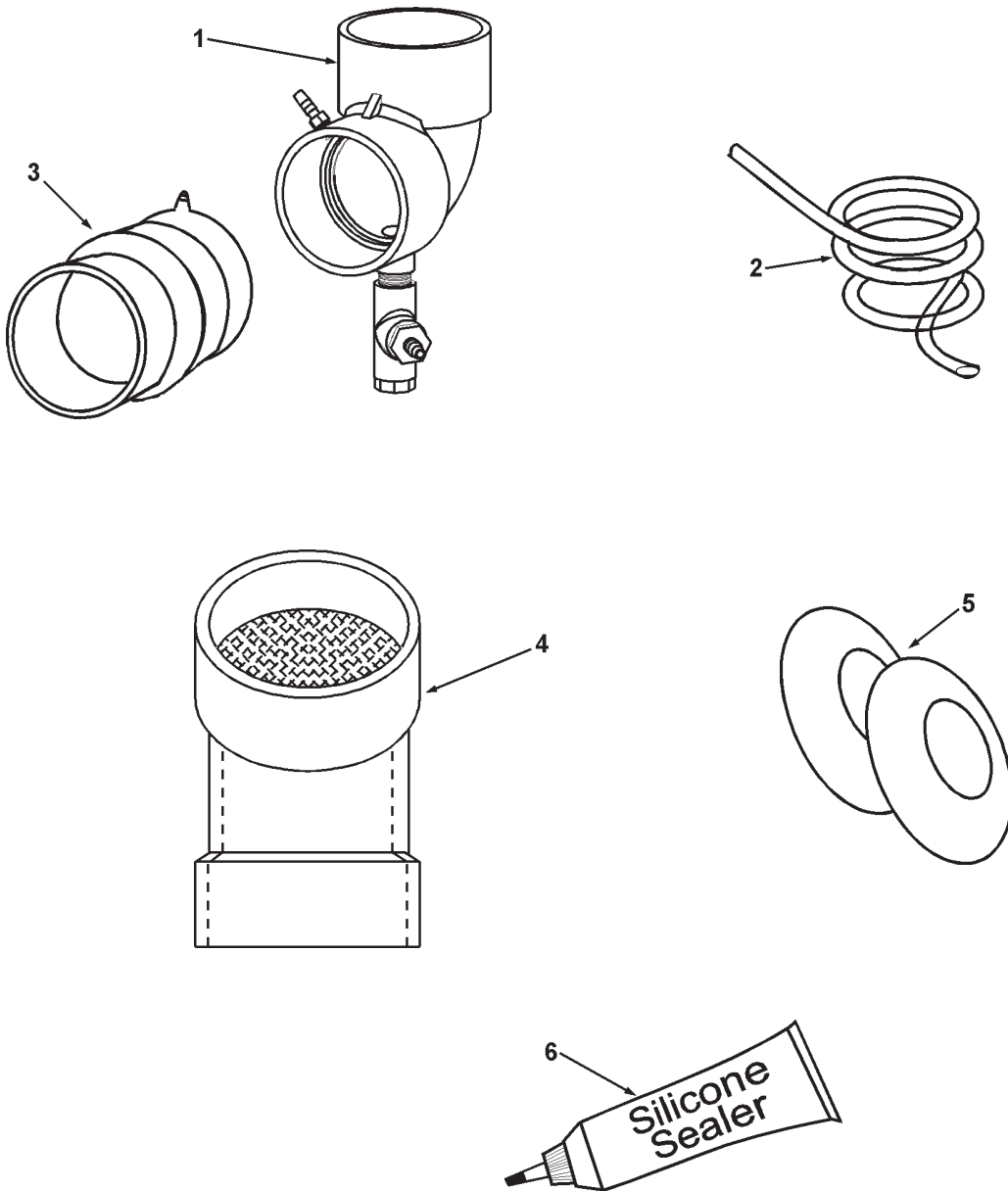
BLOWER/BURNER ASSEMBLY



Item	Description	BTH 300A 976/977	BTH 400A 976/977
1	Gasket - 8"	9006095205	9006095205
2	Shield - Heat	9006096205	9006096205
3	Gasket - Insulation	9006097205	9006097205
4	Flange - Burner	9006098205	9006098205
5	Burner Assembly	9006099205	9006099205
6	Gasket - Burner	9006100205	9006100205
7	Ignitor	9006101205	9006101205
8	Window - Observation	9006102215	9006102215
9	Gasket - Viewport	9006103215	9006103215
10	Screw - Socket Head Cap	9006104215	9006104215
11	Blower/Motor	9006105205	9006114205
12	Sensor - Flame	9006106205	9006106205
13	Coupling - Power Vent	9006107205	9006107205
14	Blower Intake Reducer Assembly. ..	9006108205	9006108205

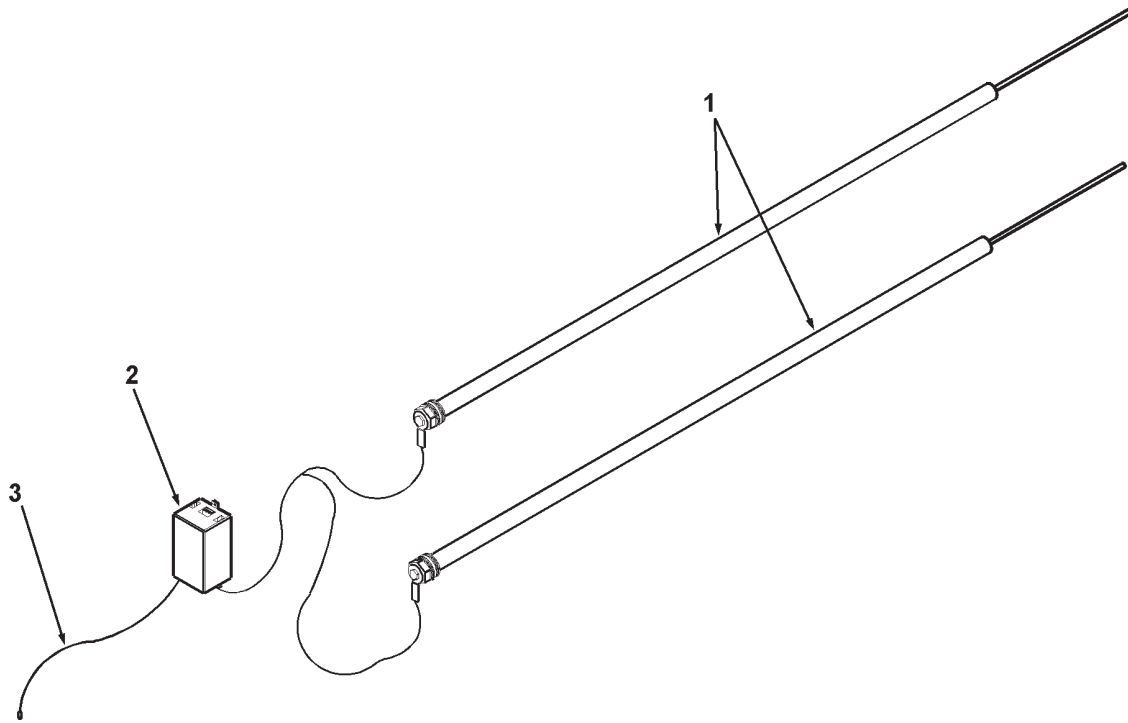
EXHAUST ELBOW, VENT KIT & BLOWER INTAKE PARTS

Item	Description	BTH 300A 976/977	BTH 400A 976/977
EXHAUST ELBOW AND FITTINGS			
1	Exhaust Elbow Assembly	9006109205	9006109205
2	Tubing	9006110215	9006110215
3	Connector, Exhaust	9006111205	9006111205
VENT KIT PARTS			
4	Intake/Vent Terminal	9006112205	9006112205
5	Wall Plates (2 required)	9006113205	9006113205
6	Silicone Sealer, 2 oz. tube	181564	181564



POWERED ANODE ASSEMBLY

Item	Description	BTH 300A 976/977	BTH 400A 976/977
1	Anode	194787	194787
2	Control Box	9004595205	9004595205
3	LED w. Lead Wire	194959	194959



A.O. Smith
Water Heaters

A.O. Smith Water Heater Parts Fulfillment

125 Southeast Parkway
Franklin, TN 37068
1-800-433-2545
www.hotwater.com