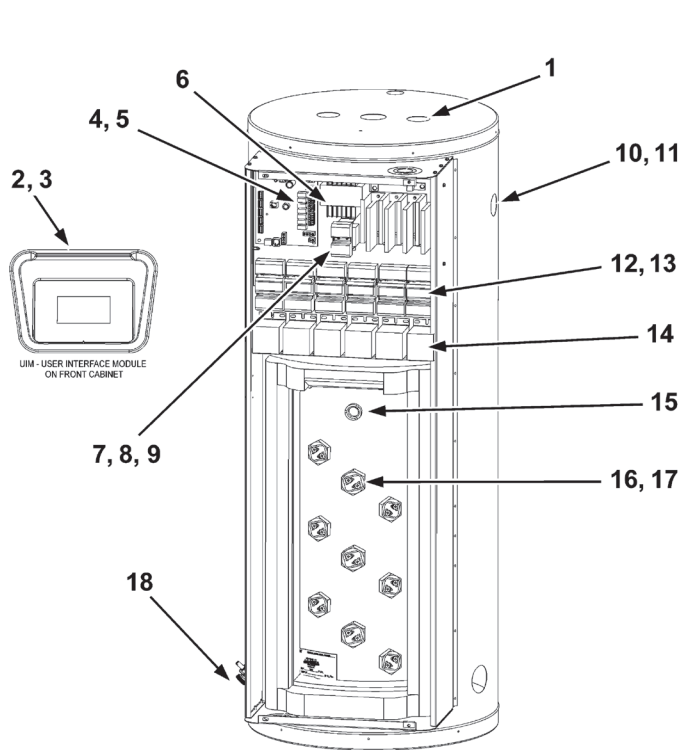




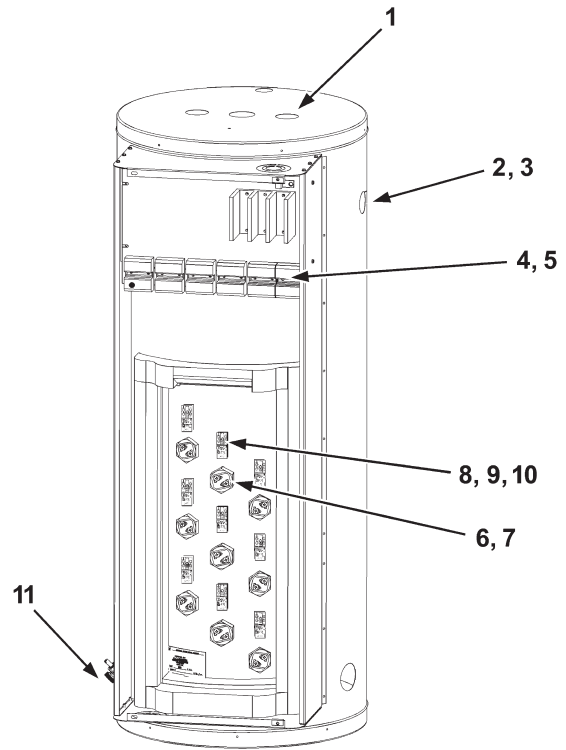
COMMERCIAL ELECTRIC WATER HEATER SERVICE PARTS LIST

A.O. Smith Water Heater Parts Fulfillment
 125 Southeast Parkway • Franklin, TN 37068
 www.hotwater.com • 1-800-433-2545

MODELS:
DVE-52/80/120 and DRE-52/80/120
SERIES 100



DVE MODELS



DRE MODELS

| Item # | Description | DVE52 | DVE80 | DVE120 |
|--------|--|------------|------------|------------|
| 1A | Anode, 2 required (Alu, Std) | 9003892005 | 9003892005 | 9003892005 |
| 1B | Anode, 2 required (Mag, Special) | 9001829005 | 9001829005 | 9001829005 |
| 2 | Display - Board | 9006240005 | 9006240005 | 9006240005 |
| 3 | Display - Overlay | 9006851005 | 9006851005 | 9006851005 |
| 4A | CCB - 3 EI Temperature controller | 9006852005 | 9006852005 | 9006852005 |
| 4B | CCB - 6 EI Temperature controller | 9006853005 | 9006853005 | 9006853005 |
| 4C | CCB - 9 EI Temperature controller | 9006854005 | 9006854005 | 9006854005 |
| 5 | Communication Cable | 9006541015 | 9006541015 | 9006541015 |
| 6A | Transformer - 100VA Std (208, 240, 277, 480V) | 9006861005 | 9006861005 | 9006861005 |
| 6B | Transformer - 100VA Universal (220, 380, 415, 575V) | 9006862005 | 9006862005 | 9006862005 |
| 7 | Transformer - 25VA 120/24V | 9006863005 | 9006863005 | 9006863005 |
| 8 | Fuse - Control Circuit | 9005720215 | 9005720215 | 9005720215 |
| 9 | Fuse Block - Control Circuit | 9005721215 | 9005721215 | 9005721215 |
| 10 | Nipple - T & P valve extension | 9005717215 | 9005717215 | 9005717215 |
| 11A | T & P Valve - 3 elements | 9005715205 | 9005715205 | 9005715205 |
| 11B | T & P - 6 or 9 elements | 9005923205 | 9005923205 | 9005923205 |
| 12A | Fuse - Power Circuit (not 54KW at 208V or not 575V) | 9005904215 | 9005904215 | 9005904215 |
| 12B | Fuse - Power Circuit for 54KW at 208V model | 9006864015 | 9006864015 | 9006864015 |
| 12C | Fuse - Power Circuit for 575V models | 9005893215 | 9005893215 | 9005893215 |
| 13A | Fuse Block - Power Circuit (not 54KW at 208V or not 575V Models) | 9005009205 | 9005009205 | 9005009205 |
| 13B | Fuse Block - Power Circuit for 54KW at 208V model | 9005079205 | 9005079205 | 9005079205 |
| 13C | Fuse Block - Power Circuit for 575V models | 9005007205 | 9005007205 | 9005007205 |
| 14 | Contactor | 9005013205 | 9005013205 | 9005013205 |
| 15 | Temperature probe | 9006865015 | 9006865015 | 9006865015 |
| 16 | Element Gasket (BOX OF 50) | 9000308005 | 9000308005 | 9000308005 |
| 17 | Elements (max 54KW 9 elements) | SEE CHART | | |
| 18 | Drain Valve | 9003907015 | 9003907015 | 9003907015 |
| 19* | Element Sensors (1 per bank) | 9006867005 | 9006867005 | 9006867005 |

* Not illustrated

| Item # | Description | DRE52 | DRE80 | DRE120 |
|--------|--|------------|------------|------------|
| 1A | Anode, 2 required (Alu, Std) | 9003892005 | 9003892005 | 9003892005 |
| 1B | Anode, 2 required (Mag) | 9001829005 | 9001829005 | 9001829005 |
| 2 | Nipple - T & P valve extension | 9005717215 | 9005717215 | 9005717215 |
| 3A | T & P Valve - 3 elements | 9005715205 | 9005715205 | 9005715205 |
| 3B | T & P - 6 or 9 elements | 9005923205 | 9005923205 | 9005923205 |
| 4A | Fuse - Power Circuit (not 54KW at 208V or not 575V) | 9005904215 | 9005904215 | 9005904215 |
| 4B | Fuse - Power Circuit for 54KW at 208V model | 9006864015 | 9006864015 | 9006864015 |
| 4C | Fuse - Power Circuit for 575V models | 9005893215 | 9005893215 | 9005893215 |
| 5A | Fuse Block - Power Circuit (not 54KW at 208V or not 575V Models) | 9005009205 | 9005009205 | 9005009205 |
| 5B | Fuse Block - Power Circuit for 54KW at 208V model | 9005079205 | 9005079205 | 9005079205 |
| 5C | Fuse Block - Power Circuit for 575V models | 9005007205 | 9005007205 | 9005007205 |
| 6 | Element Gasket (BOX OF 50) | 9000308005 | 9000308005 | 9000308005 |
| 7 | Elements (max 54KW 9 elements) | SEE CHART | | |
| 8 | Bracket-T-Stat | 9003898215 | 9003898215 | 9003898215 |
| 9 | Personal Protector | 9003914015 | 9003914015 | 9003914015 |
| 10 | Thermostat | 9002857015 | 9002857015 | 9002857015 |
| 11 | Drain Valve | 9003907015 | 9003907015 | 9003907015 |

Replacement Gold-Plated Elements for Both DRE and DVE Models (Gasket Included)

| KW | 208V (1Φ/3Φ) | 240V (1Φ/3Φ) | 277V 1Φ | 480V (1Φ/3Φ) |
|-----|--------------|--------------|------------|--------------|
| 2 | 9006875005 | 9006874005 | 9006884005 | 9006879005 |
| 3 | 9006869005 | 9006868005 | | 9006880005 |
| 4 | 9006872005 | 9006869005 | 9006868005 | 9006881005 |
| 4.5 | 9006873005 | 9006870005 | | 9006882005 |
| 5 | 9006876005 | 9006871005 | | 9006883005 |
| 6 | 9006877005 | 9006873005 | 9006878005 | 9006884005 |

Replacement Incoloy Elements for Both DRE and DVE Models (Gasket Included)

| KW | 208V (1Φ/3Φ) | 240V (1Φ/3Φ) | 277V (1Φ) | 480V (1Φ/3Φ) |
|-----|--------------|--------------|------------|--------------|
| 2 | 9004284005 | 9004283005 | 9004290005 | 9004298005 |
| 3 | 9000049005 | 9000664005 | 9004296005 | 9004300005 |
| 4 | 9004294005 | 9004751105 | 9004759005 | 9004763105 |
| 4.5 | 9004287005 | 9000050005 | 9004297005 | 9004760105 |
| 5 | 9004753105 | 9004293005 | 9004756115 | 9004761105 |
| 6 | 9004289005 | 9004287005 | 9004757115 | 9004762105 |

Replacement Incoloy Elements (Gasket Included) For Heaters with "Y" Configuration

| KW | 380V 3Φ "Y" Config | 415V 3Φ "Y" Config | 575V 3Φ "Y" Config |
|-----|--------------------|--------------------|--------------------|
| 3 | 9006885005 | 900064005 | 9006889005 |
| 4 | 9006886005 | 9004751105 | 9006890005 |
| 4.5 | | 9000050005 | 9006891005 |
| 5 | 9006887005 | 9004293005 | 9006892005 |
| 6 | 9006888005 | 9004287005 | 9006893005 |



A.O. Smith Water Heater Parts Fulfillment
125 Southeast Parkway
Franklin, TN 37068
www.hotwater.com