

A.O. SMITH

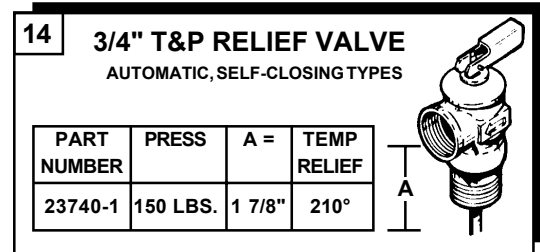
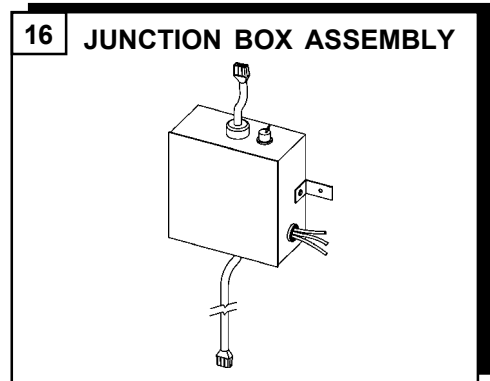
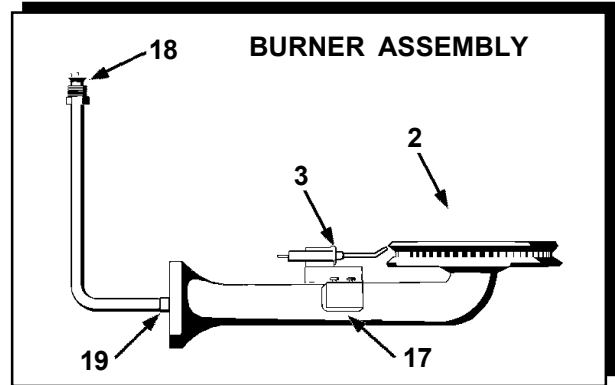
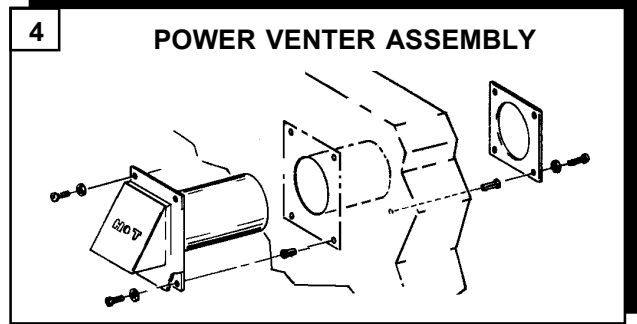
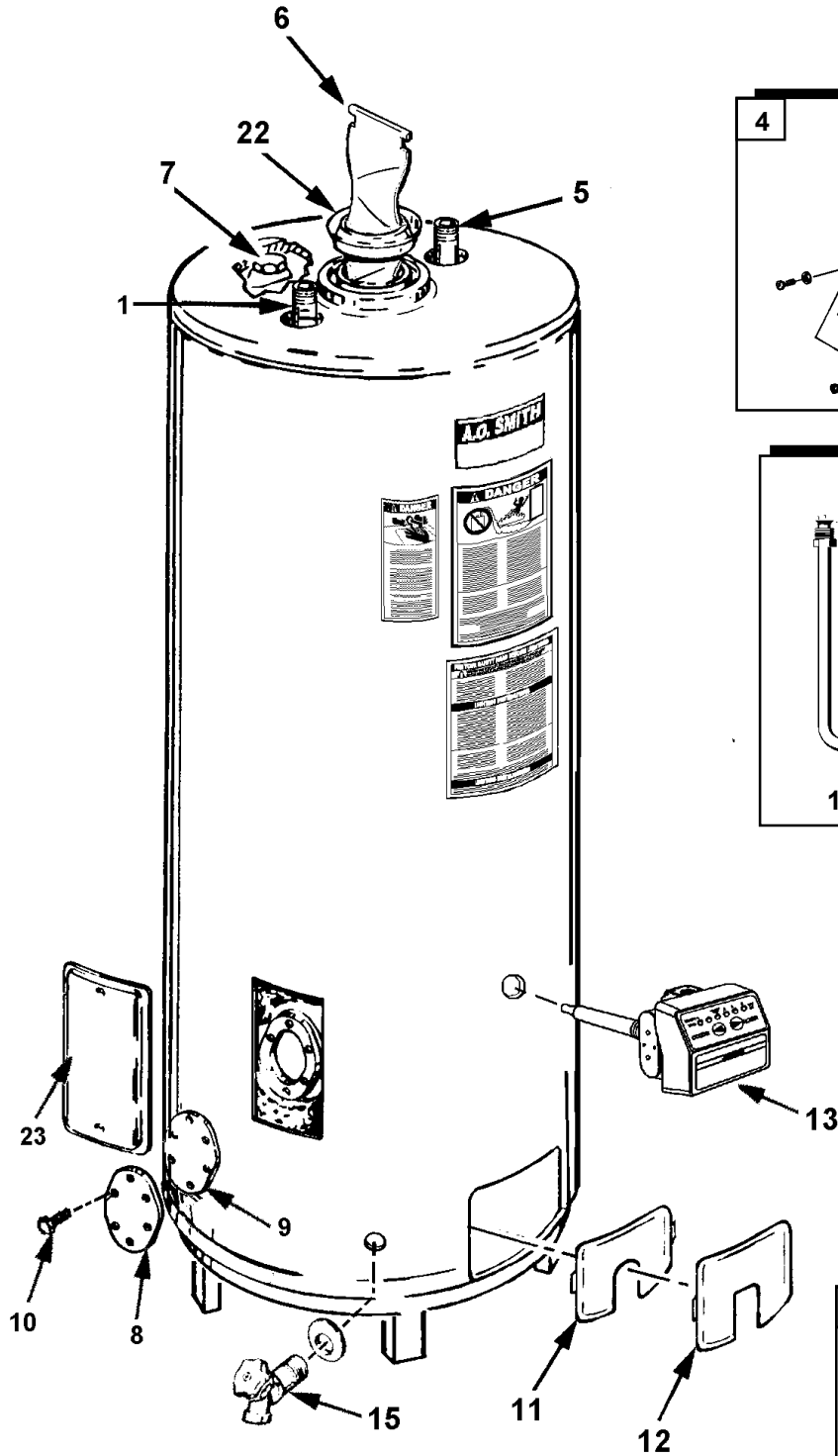
WATER PRODUCTS COMPANY

PSD-3-605

GAS

COMMERCIAL WATER HEATERS
REPLACEMENT PARTS LIST

MODEL BTV - 100
SERIES 110 - 111



A.O. SMITH WATER PRODUCTS COMPANY

5621 W. 115TH STREET • ALSIP, ILLINOIS 60803

PHONE: 1-800-433-2545 • FAX: 1-800-433-2515

Website: www.aosmithwaterheaters.com

Item	Qty.	Description	BTV100	BTV100
			Natural	Propane
1	1	Pipe Nipple	41319	41319
2	1	Cast Iron Burner	41157-6	41157-6
3	1	Igniter/Flame Sensor	<u>195371</u>	<u>195371</u>
4	1	Power Venter Assembly	194490	194490
5	1	Inlet Tube	194054-1	194054-1
6	1	Flue Baffle Assembly	194056	194056
7	1	Anode Rod	<u>183523-48</u>	<u>183523-48</u>
8	1	Cleanout Cover	99037	99037
9	1	Cleanout Gasket	<u>99038</u>	<u>99038</u>
10	1	Cleanout Screw	69852-1	69852-1
11	1	Inner Door	39923	39923
12	1	Outer Door	39112-701	39112-701
13	1	Thermostat, Intelli-Vent [®]	<u>183760-6</u>	<u>183760-7</u>
14	1	T & P Relief Valve	<u>23740-1</u>	<u>23740-1</u>
15	1	Drain Valve	26273-7	26273-7
16	1	Junction Box Assembly	196550	196550
17	1	Ignitor Bracket	195116	195116
18	1	Burner Tube	39114-5	181784-7
19	1	Orifice	29336-20	181510-38
*20	1	Manual	196548	196548
*21	1	Draft Hood	39072-200	39072-200
22	1	Flue Restrictor	35405	35405
23	1	Front Cover	181260-230	181260-230

* Not Illustrated

® Intelli-vent is a registered trademark of White-Rodgers.

A.O. SMITH
WATER PRODUCTS
COMPANY

A.O. SMITH WATER PRODUCTS COMPANY

5621 W. 115TH STREET • ALSIP, ILLINOIS 60803

PHONE: 1-800-433-2545 • FAX: 1-800-433-2515

Website: www.aosmithwaterheaters.com • E-MAIL: parts@hotwater.com