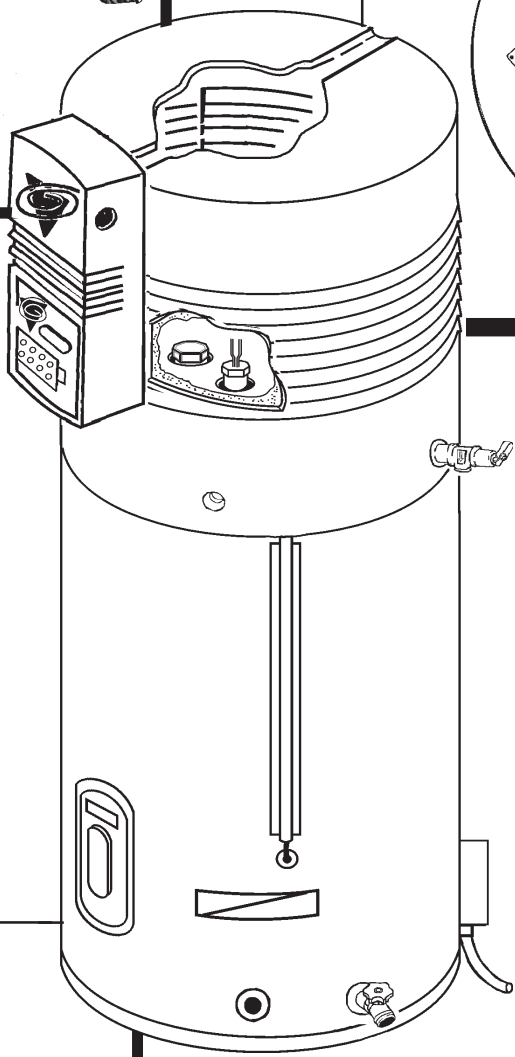
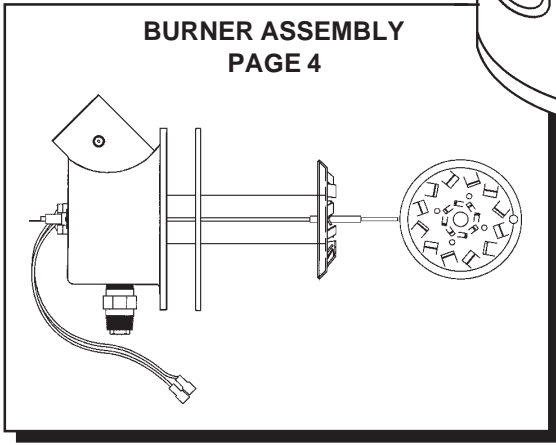
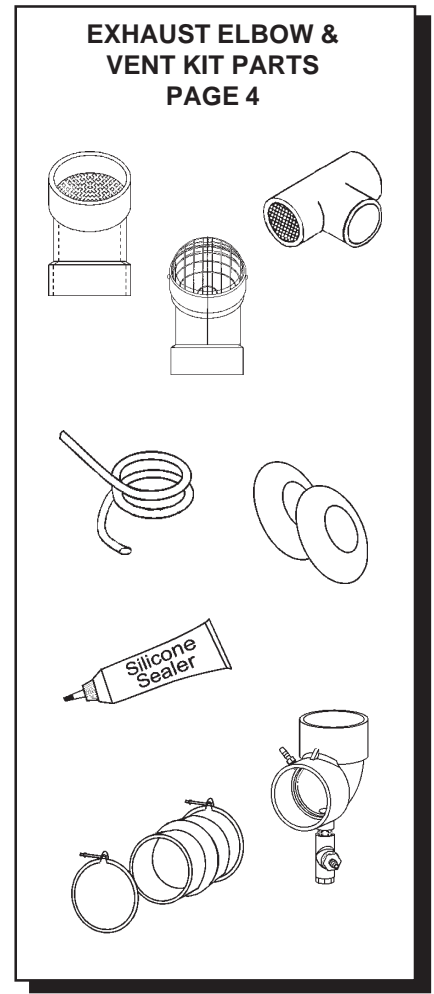
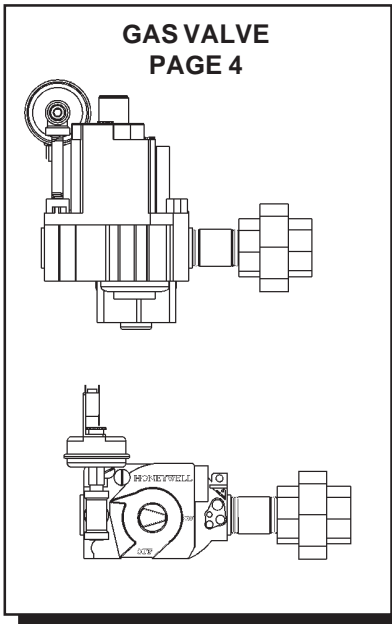
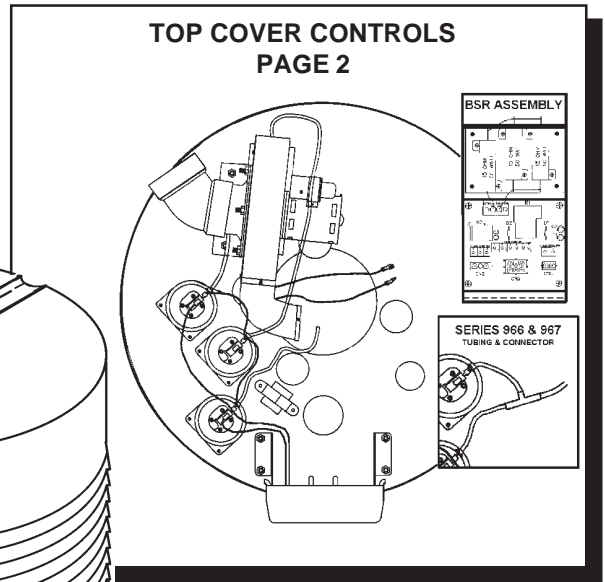
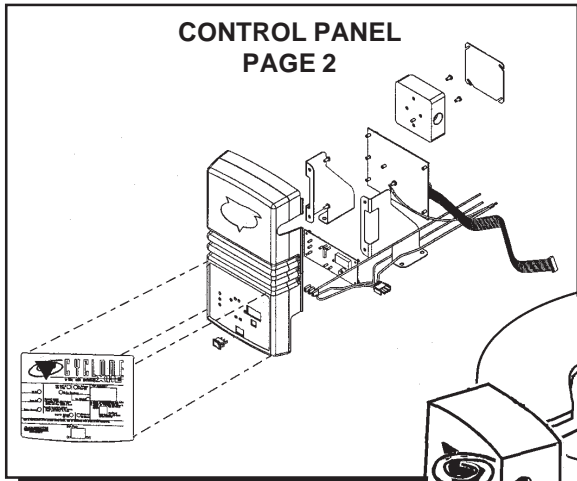


**COMMERCIAL WATER HEATER PARTS LIST
MODEL BTH-120, 150, 199, 250
SERIES 970 & 973**



ITEM	DESCRIPTION	BTH-120 970	BTH-120 973	BTH-150 970
1	Cleanout Cover	181260	181260	181260
2	Cleanout Gasket	99038	99038	99038
3	Cleanout Plate	99037	99037	99037
4	Top Cover, Left	193885	193885	193885
5	Top Cover, Right	193886	193886	193886
6	Top Cover, Back, Nat.	193887	193887	193887
6	Top Cover, Back, Prop.	193887	193887	193887
7	Drain Valve	26273-6	26273-6	26273-6
8	T & P Relief Valve	99465-7	99465-7	99465-7
9	Upper Temp. Probe w/ECO	196597	196597	196597
10	Lower Temp. Probe	196598	196598	196598
11	Anode, Alum. Alloy (4)	183523-33	183523-52	183523-52
12	LABELS			
	Cleannout Label	78754	78754	78754
	Flammable Vapor/Scald	184872-000	184872-000	184872-000
	800 Help Line Label	190600	190600	190600
	Lighting/Operation (Eng.) WR/Natural	193292	193292	
	Lighting/Operation (Eng.) WR/Prop.			193358
	Lighting/Operation (Fr.) - White-Rodgers	193460	193460	
	Lighting/Operation (Eng.) HW/Natural			192480
	Lighting/Operation (Eng.) WR/Prop.			
	Lighting/Operation (Fr.) HW/Natural			192996
	Lighting/Operation (Fr.) HW/Prop.			
	WARNING Label	192803		
	Wiring Diagram Label	193317	193317	192889
	Water Inlet (bilingual)	161040	161040	161040
	Water Outlet (bilingual)	161040-1	161040-1	161040-1
	Relief Valve Label	191068	191068	191068
13	Manual*	196145	196145	196145
	CYCLONE XHE BTH - CONTROL PANEL			
14	Board, Display Panel	194808-1	194808-1	194808-1
15	Bracket Mounting, Left	194123-1	194123-1	194123-1
16	Bracket Mounting, Right	194123	194123	194123
17	Control Board &			
	Cable Assem. (includes 17a)	196473	196473	196473
17a	Cable Assy, Control Board to Display Board	194809	194809	194809
18	Junction Box	194126	194126	194126
19	Junction Box Cover	2233	2233	2233
20	Display Panel Label	194203	194203	194203
21	Panel, Front	193884	193884	193884
22	Screw, Plastite #10-14 x 3/8"	194202	194202	194202
23	On/Off Switch	193243	193243	193243
24	Cable Assembly, Line Power	194261	194261	194261
	BTH 120-250 TOP COVER CONTROLS			
25	Blocked Inlet Switch, Natural Gas	193293		193363
25	Blocked Inlet Switch, Propane Gas		193356	
26	Blocked Outlet Switch, Natural Gas	193294		193362
26	Blocked Outlet Switch, Propane Gas		193357	
27	Blower Prover Switch	194706	194706	194706
28	Blower/Motor Assembly	196810-000	196810-000	196811-000
29	Inlet Flange Assembly w/Hose Barb	192886-1	192886-1	192886-1
30	Intake Assembly	192815	192815	192815
31	BSR Assembly			
32	BSR Board			
33	Resistor Board			

BTH-150 973	BTH-199 970	BTH-199 973	BTH-250 970
181260	181260	181260	181260
99038	99038	99038	99038
99037	99037	99037	99037
193885	193885	193885	193885
193886	193886	193886	193886
193887	193887	193887	193887
193887	193887	193887	-----
26273-6	26273-6	26273-6	26273-6
99465-7	99465-7	99465-7	192467
196597	196597	196597	196597
196598	196598	196598	196598
183523-52	183523-52	183523-52	183523-52
78754	78754	78754	78754
184872-000	184872-000	184872-000	184872-000
190600	190600	190600	190600
-----	-----	-----	193358
193358	193358	193358	-----
-----	-----	-----	-----
192480	192480	192480	-----
-----	-----	-----	-----
192996	192996	192996	-----
-----	-----	-----	-----
-----	-----	-----	-----
192889	192889	192889	193204
161040	161040	161040	161040
161040-1	161040-1	161040-1	161040-1
191068	191068	191068	191068
196145	196145	196145	196145
194808-1	194808-1	194808-1	194808-1
194123-1	194123-1	194123-1	194123-1
194123	194123	194123	194123
196473	196473	196473	196473
194809	194809	194809	194809
194126	194126	194126	194126
2233	2233	2233	2233
194203	194203	194203	194203
193884	193884	193884	193884
194202	194202	194202	194202
193243	193243	193243	193243
194261	194261	194261	194261
-----	193363	-----	193361
193355	-----	195012	-----
-----	193364	-----	193357
193357	-----	193357	-----
194706	194706	194706	194706
196810-000	196811-000	196810-000	196812-000
192886-1	192886-1	192886-1	192886-1
192815	192815	192815	194116
-----	-----	-----	-----
-----	-----	-----	-----

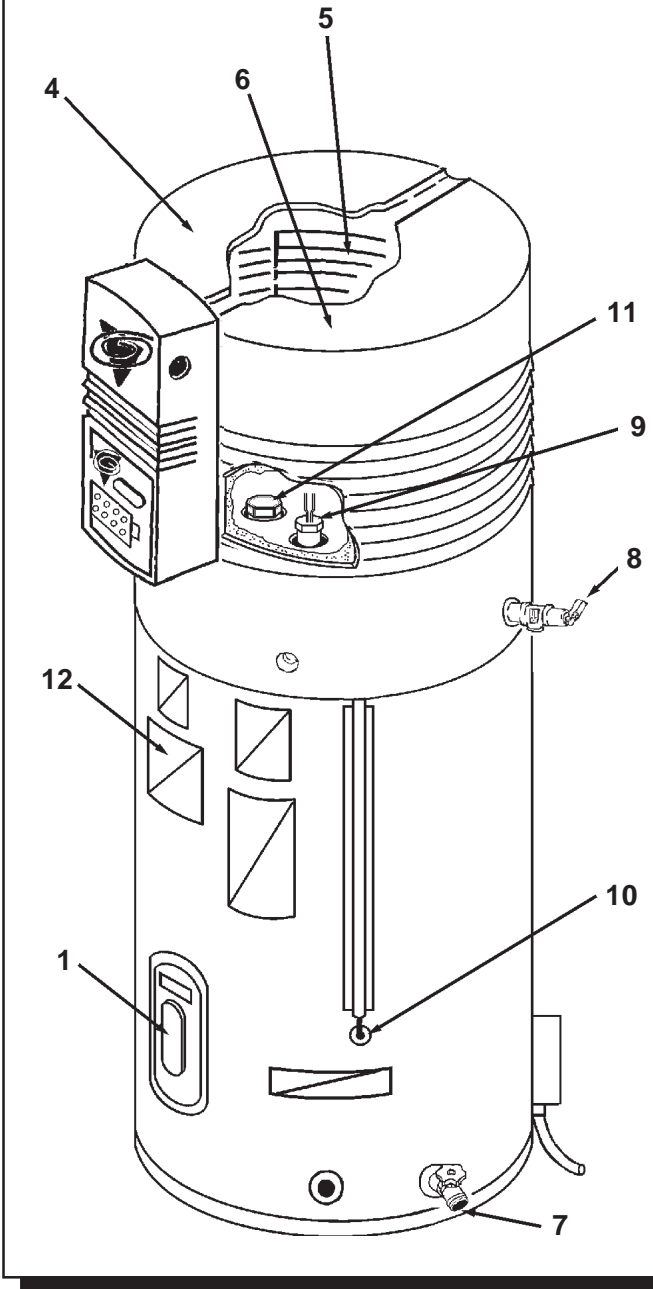
ITEM	DESCRIPTION	BTH-120 970	BTH-120 973	BTH-150 970
34	Cable Assembly, Low Voltage	193246	193246	193246
35	Wire Assembly, Air Flow	192802	192802	192802
36	Bracket, Blower Mounting	192482	192482	192482
37	Tube, Pressure	193738-8	193738-8	193738-8
38	Tube, Pressure	193738-22	193738-22	193738-22
39	Tube, Pressure			
40	Tubing Connector			
41	Tube, Air	192469-10	192469-10	192469-10
42	Clamp - 3"	192696	192696	192696
43	Transformer, 120V-24V,60 Hz,20 VA	192608	192608	192608
44	Wire Assembly, Air Flow Switch	192802-1	192802-1	
GAS VALVE				
45	Nipple, Pipe 3/4"	85040-18	85040-18	85040-18
46	Nipple, Pipe 1/8"	192948-1	192948-1	
47	Union, Pipe	95515	95515	95515
48	Switch, Low Gas Pressure, Natural	191149-5		
48	Switch, Low Gas Pressure, Propane		191149-4	
49	Tee, 1/8"	40119	40119	
50	Gas Valve, Natural Gas	192966		192797
50	Gas Valve, Propane Gas		192967	
EXHAUST ELBOW, VENT KIT PARTS				
51	Adapter, Hose Fitting	192472	192472	192472
52	Elbow 90°	192473	192473	192473
53	Nipple, Close	194558	194558	194558
54	Plug, Hex	194560	194560	194560
55	Tee	194559	194559	194559
56	Tubing	191746-72	191746-72	191746-72
57	Connector, Exhaust	192636	192636	192636
58	Hose Clamp, 3"	192696	192696	192696
59	Hose Clamp, 4 1/2"	192697	192697	192697
VENT KIT PARTS				
60	Elbow w/Screen	192815	192815	192815
61	Elbow, 45° x 3.5"	181901	181901	181901
62	Screen	181662	181662	181662
63	Intake Vent Terminal Assy.			182167
64	Wall Plates (2 Req'd.)	181557	181557	181557
65	Silicone Sealer, 2 oz. Tube	181564	181564	181564
BURNER - ASSEMBLY				
66	Burner	196163-003		196163-001
66	Burner for (BTH-120, 150, 199) 973		196166-002	
67	Ignitor Assembly	192638	192638	192638
68	Washer (4 Req'd.)	196153	196153	196153
69	Air Restrictor - Natural Gas	192450-3		192450-1
69	Air Restrictor - Propane Gas		192450-5	
70	Hose Barb	192800-1	192800-1	192800-1
71	Flame Rod Assembly	192478	192478	192478
72	Screw, Self-Tapping #8-18 (2 Req'd.)	192698	192698	192698
73	Orifice - Natural Gas	192477-204		192477-235
73	Orifice - Propane Gas		192477-125	
74	Orifice Holder	192447	192447	192447
75	Gasket	192331	192331	192331
76	5/16 x 7/8" Socket Head Cap Screw (4 Req'd.)	192515-2	192515-2	192515-2

*Not illustrated.

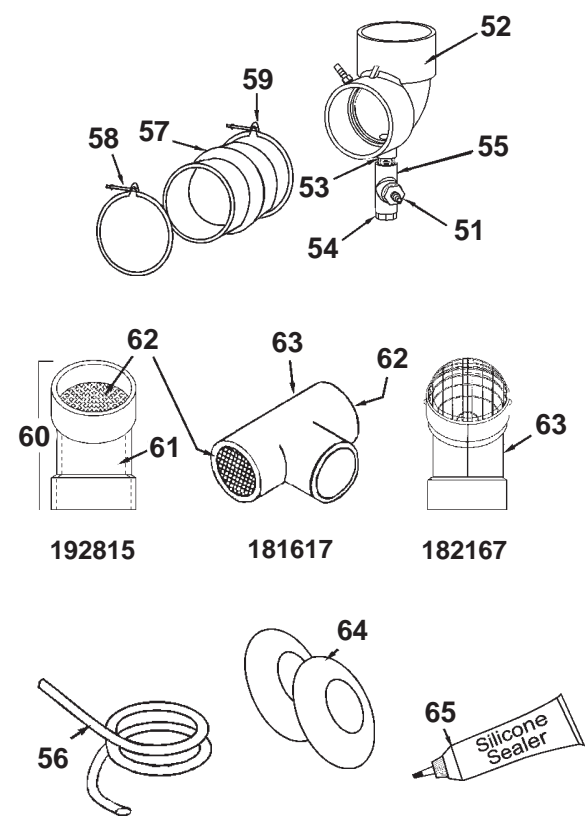
NOTE: Underlined parts are recommended stock items for emergency replacement. Consider gas used in your area only. Standard hardware items may be purchased locally.

BTH- 150 973	BTH-199 970	BTH-199 973	BTH- 250 970
193246	193246	193246	193246
192802	192802	192802	192802
192482	192482	192482	192482
193738-8	193738-8	193738-8	193738-8
193738-22	193738-22	193738-22	193738-22
192469-10	192469-10	192469-10	192469-10
192696	192696	192696	192696
192608	192608	192608	192608
			192802-1
85040-18	85040-18	85040-18	85040-18
			192948
95515	95515	95515	95515
			191149-5
			40119
	192797		192454
192454-1		192454-1	
192472	192472	192472	192472
192473	192473	192473	192473
194558	194558	194558	194558
194560	194560	194560	194560
194559	194559	194559	194559
191746-72	191746-72	191746-72	191746-72
192636	192636	192636	192636
192696	192696	192696	192696
192697	192697	192697	192697
192815	192815	192815	192815
181901	181901	181901	181901
181662	181662	181662	181662
182167	181617	181617	181617
181557	181557	181557	181557
181564	181564	181564	181564
	196163-000		196163-002
196166-001		196166-000	
192638	192638	192638	192638
196153	196153	196153	196153
	192450		192450-2
192450-5		192450	
192800-1	192800-1	192800-1	192800-1
192478	192478	192478	192478
192698	192698	192698	192698
	192477-304		192477-360
192477-141		192477-154	
192447	192447	192447	192447
192331	192331	192331	192331
192515-2	192515-2	192515-2	192515-2

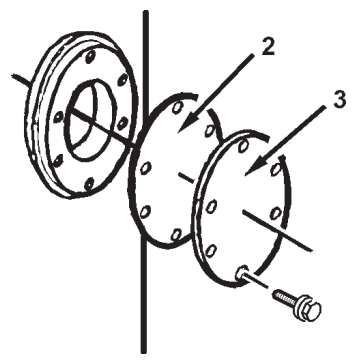
BTH 120-250



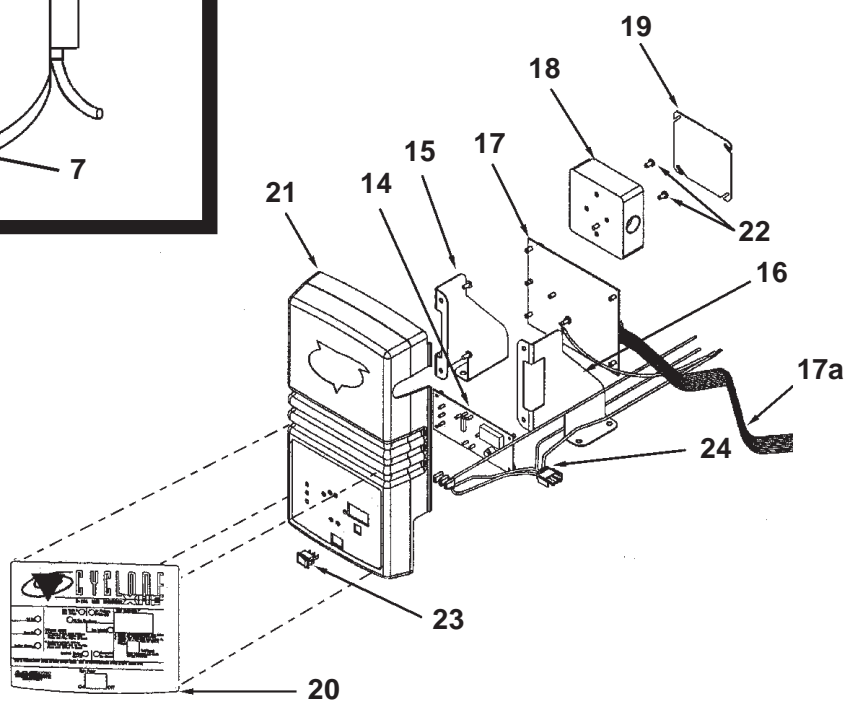
EXHAUST ELBOW, VENT KIT PARTS



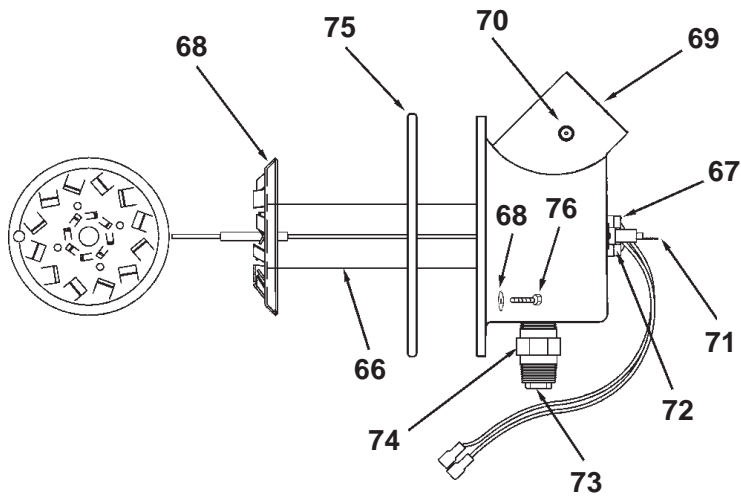
CLEAN OUT ASSEMBLY



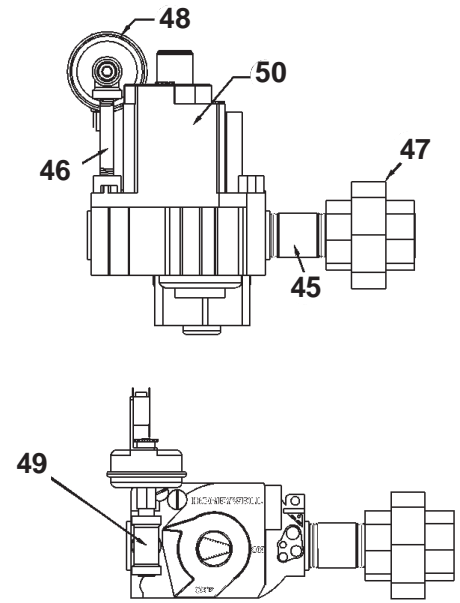
CONTROL PANEL



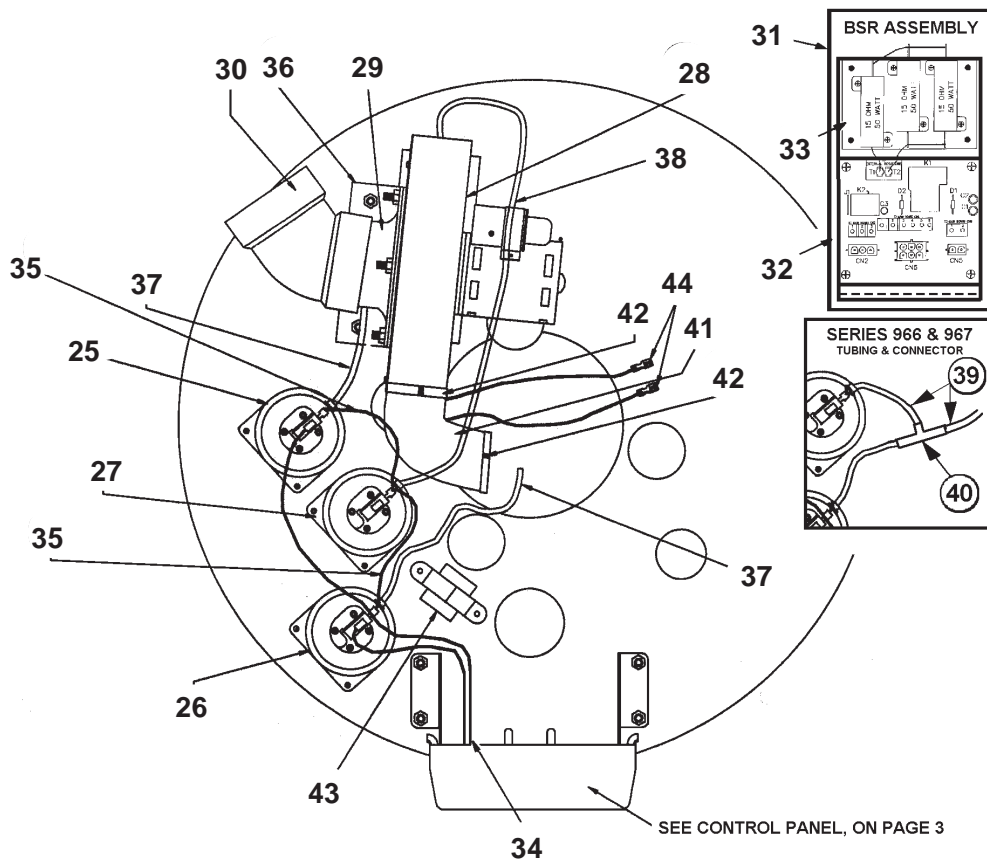
BURNER ASSEMBLY



GAS VALVE



TOP COVER CONTROLS



A.O. Smith
Water Heaters

A.O. Smith Water Heater Parts Fulfillment

125 Southeast Parkway

Franklin, TN 37068

1-800-433-2545

www.hotwater.com