

A. O. SMITH

WATER PRODUCTS COMPANY

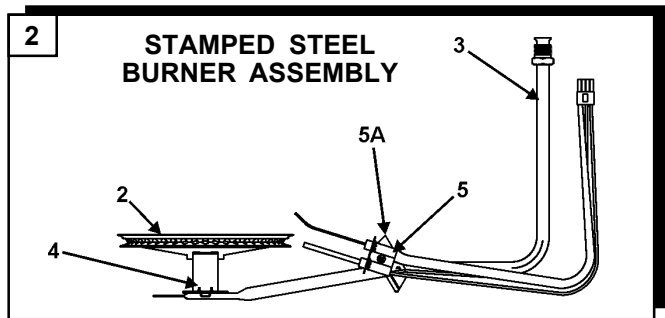
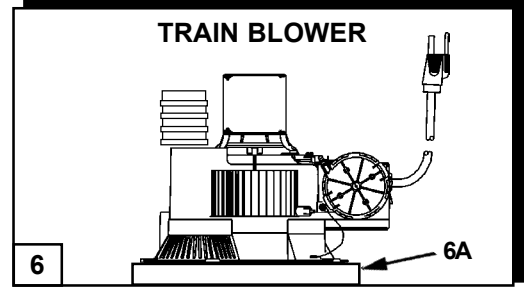
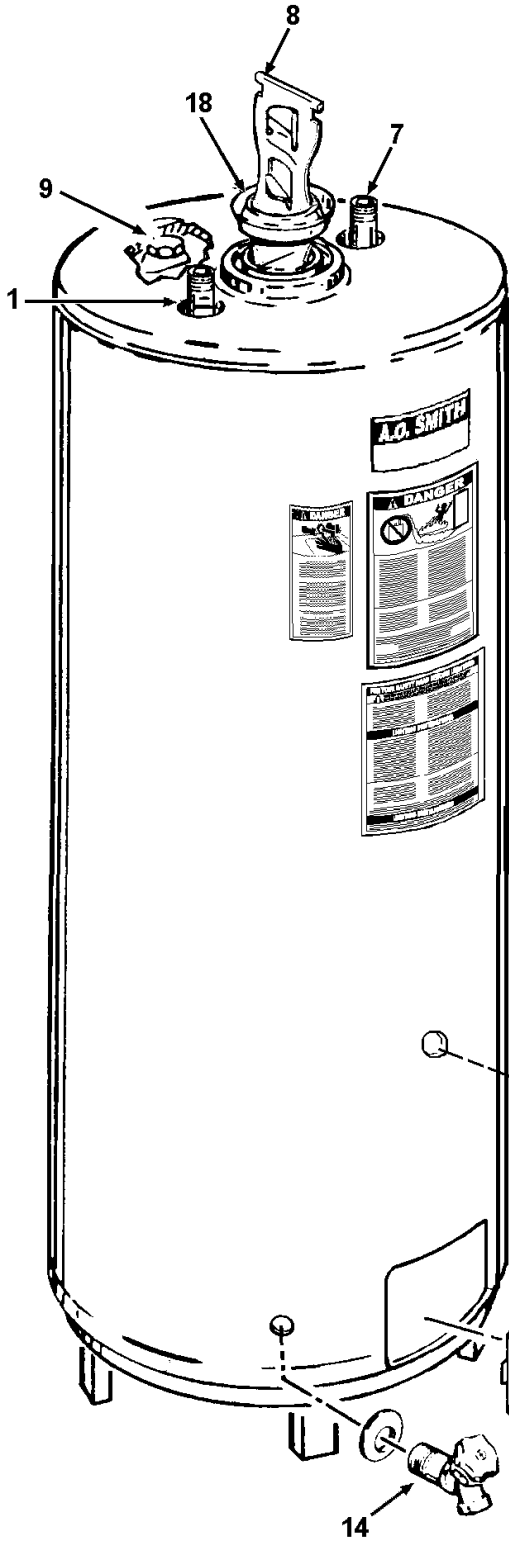
PSD-3-458

GAS

COMMERCIAL WATER HEATERS

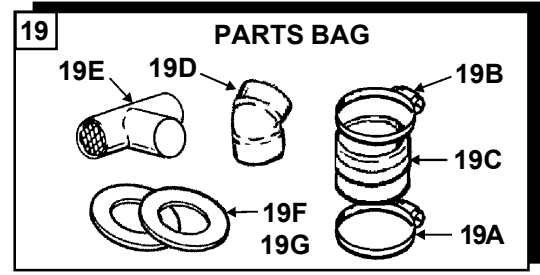
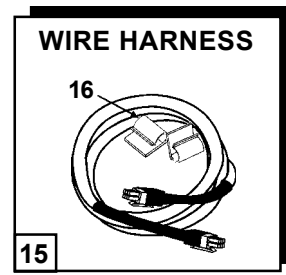
REPLACEMENT PARTS LIST

MODELS BT 75 SERIES 270



3/4" T&P RELIEF VALVE
AUTOMATIC, SELF-CLOSING TYPES

PART NUMBER	PRESS	A =	TEMP RELIEF
23740-1	150 LBS.	1 7/8"	210°



A. O. SMITH WATER PRODUCTS CO., INC.
5621 W. 115TH STREET • ALSIP, ILLINOIS 60803
PHONE: 1-800-433-2545 • FAX: 1-800-433-2515
www.hotwater.com

Item	Qty.	Description	BTF 75 Natural
1	1	Pipe Nipple	43879-1
2	1	Stamped Steel Burner	194723
3	1	Burner Tube (Stamped Burner)	194602-1
4	1	Orifice (Stamped Steel Burner)	181508-17
5	1	Ignitor/Flame Sensor (Stamped Steel Burner)	<u>195371</u>
5A	1	Ignitor Bracket	195710
6	1	Train Blower	194509
6A	1	Gasket	183507
7	1	Inlet Tube, Closed End	183512
8	1	Flue Baffle Assembly	195777
9	1	Anode Rod	183463-39
10	1	Inner Door	39923
11	1	Outer Door	39112-701
12	1	Intellivent Control/Valve™	<u>183760-6</u>
13	1	T & P Relief Valve	76527-3
14	1	Drain Valve	26273-7
15	1	Wire Harness	194453
16	1	Clip, Wire Harness	183365
17	1	*Manual	195789
18	1	Flue Restrictor	35405
19	1	Vent Terminal Assembly, 3"	181617
20	1	Wall Plate, 3"	181577

* Not illustrated.

NOTE: Underlined parts are recommended stock items for emergency replacement.
Consider gas used in your area only.

A. O. SMITH
WATER PRODUCTS
COMPANY

A.O. SMITH WATER PRODUCTS CO., INC.

5621 W. 115TH STREET • ALSIP, ILLINOIS 60803

Phone: 1-800-433-2545 • Fax: 1-800-433-2515

www.hotwater.com • e-mail: parts@hotwater.com