

A. O. SMITH

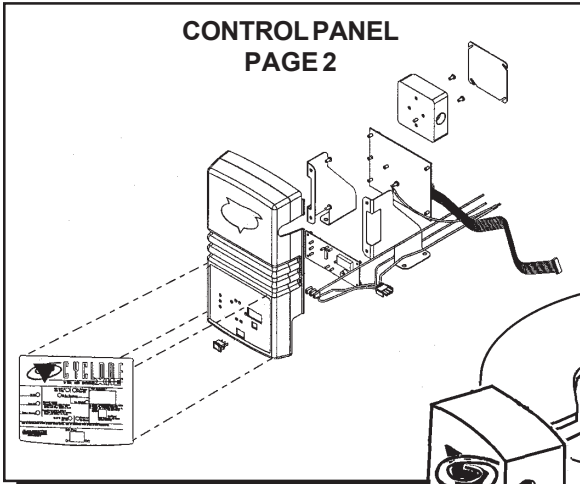
WATER PRODUCTS COMPANY

PSD-3-426/D

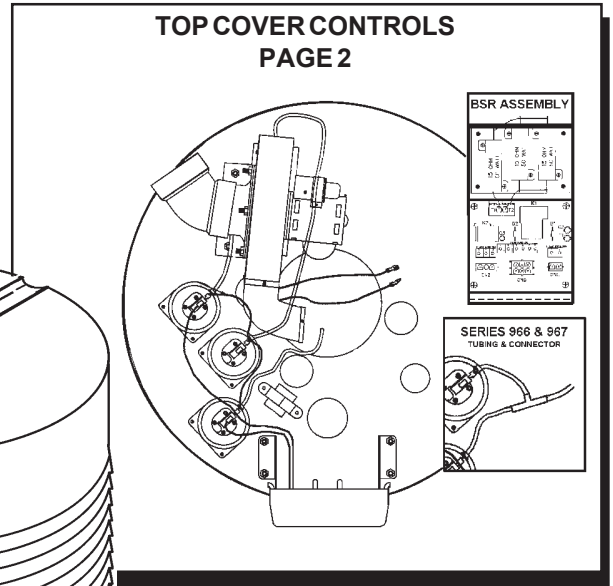
GAS

COMMERCIAL WATER HEATER PARTS LIST
MODEL BTH-120,150, 199, 250
SERIES 966/967 & 970/971/973

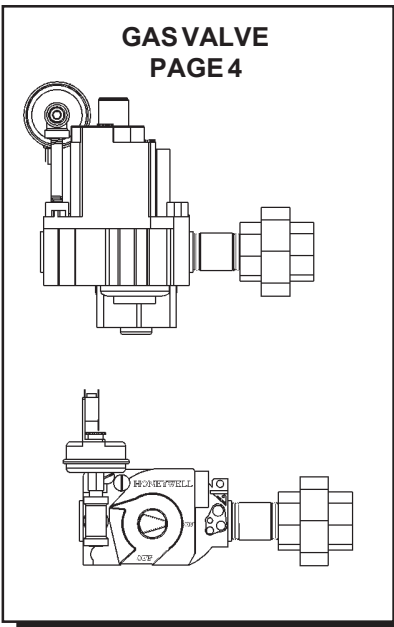
**CONTROL PANEL
PAGE 2**



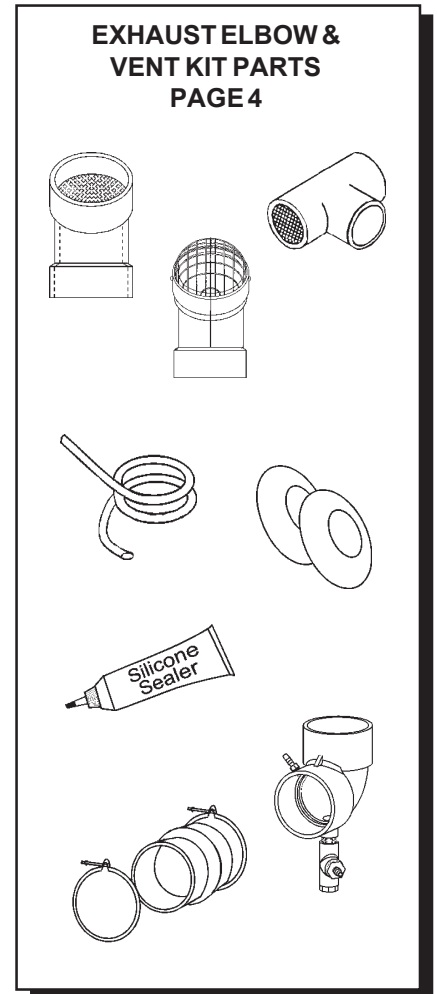
**TOP COVER CONTROLS
PAGE 2**



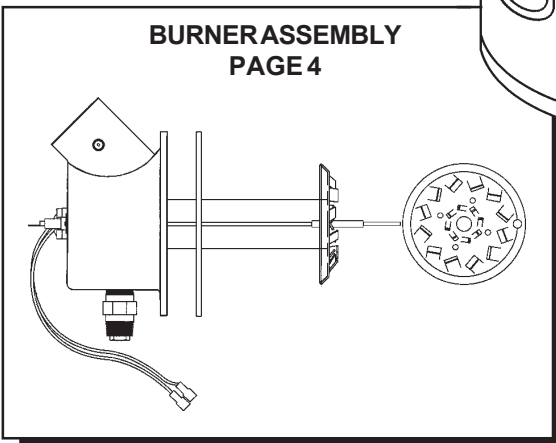
**GAS VALVE
PAGE 4**



**EXHAUST ELBOW &
VENT KIT PARTS
PAGE 4**



**BURNER ASSEMBLY
PAGE 4**



ITEM	DESCRIPTION	BTH120 966/967	BTH120 970/971	BTH 120 973	BTH 150 966/967
1	Cleanout Cover	181260	181260	181260	181260
2	Cleanout Gasket	99038	99038	99038	99038
3	Cleanout Plate	99037	99037	99037	99037
4	Top Cover, Left	193885	193885	193885	193885
5	Top Cover, Right	193886	193886	193886	193886
6	Top Cover, Back, Nat.	193887	193887	193887	193887
6	Top Cover, Back, Prop.	193887	193887	193887	193239-1
7	Drain Valve	26273-6	26273-6	26273-6	26273-6
8	T & P Relief Valve	99465-7	99465-7	99465-7	99465-7
9	Upper Temp. Probe w/ECO	192606	192606	192606	192606
10	Lower Temp. Probe	192609	192609	192609	192609
11	Anode, Alum. Alloy (4)	183523-33	183523-33	183523-52	183523-52
12	LABELS				
	Cleannout Label	78754	78754	78754	78754
	Flammable Vapor/Scald	183301	183301	183301	183301
	800 Help Line Label	190600	190600	190600	190600
	Lighting/Operation (Eng.) WR/Natural	193292	193292	193292	- - - -
	Lighting/Operation (Eng.) WR/Prop.	- - -	- - -	- - -	193358
	Lighting/Operation (Fr.) - White-Rodgers	193460	193460	193460	- - - -
	Lighting/Operation (Eng.) HW/Natural	- - -	- - -	- - -	192480
	Lighting/Operation (Eng.) WR/Prop.	- - -	- - -	- - -	- - - -
	Lighting/Operation (Fr.) HW/Natural	- - -	- - -	- - -	192996
	Lighting/Operation (Fr.) HW/Prop.	- - -	- - -	- - -	- - - -
	WARNING Label	192803	192803	- - - -	- - - -
	Wiring Diagram Label	193317	193317	193317	192889
	Water Inlet (bilingual)	161040	161040	161040	161040
	Water Outlet (bilingual)	161040-1	161040-1	161040-1	161040-1
	Relief Valve Label	191068	191068	191068	191068
13	Manual*	194502	194502	194502	194502
CYCLONE XHE BTH - CONTROL PANEL					
14	Board, Display Panel	192622-1	192622-1	192622-1	192622-1
15	Bracket Mounting, Left	194123-1	194123-1	194123-1	194123-1
16	Bracket Mounting, Right	194123	194123	194123	194123
17	Control Board & Cable Assem. (includes 17a)	193822	193822	193822	193822
17a	Cable Assy, Control Board to Display Board	192623	192623	192623	192623
18	Junction Box	194126	194126	194126	194126
19	Junction Box Cover	2233	2233	2233	2233
20	Display Panel Label	194203	194203	194203	194203
21	Panel, Front	193884	193884	193884	193884
22	Screw, Plastite #10-14 x 3/8"	194202	194202	194202	194202
23	On/Off Switch	193243	193243	193243	193243
24	Cable Assembly, Line Power	194261	194261	194261	194261
BTH 120-250 TOP COVER CONTROLS					
25	Blocked Inlet Switch, Natural Gas	193293	193293	193363	193363
25	Blocked Inlet Switch, Propane Gas	193356	193356	193356	193355
26	Blocked Outlet Switch, Natural Gas	193294	193294	- - - -	193362
26	Blocked Outlet Switch, Propane Gas	193357	193357	193357	193357
27	Blower Prover Switch	193295	194706	194706	193295
28	Blower/Motor Assembly	193441	194675	194675	193354
29	Inlet Flange Assembly w/Hose Barb	192886-1	192886-1	192886-1	192886-1
30	Intake Assembly	192815	192815	192815	192815
31	BSR Assembly	- - - -	- - - -	- - - -	- - - -
32	BSR Board	- - - -	- - - -	- - - -	- - - -
33	Resistor Board	- - - -	- - - -	- - - -	- - - -
34	Cable Assembly, Low Voltage	193246	193246	193246	193246
35	Wire Assembly, Air Flow	192802	192802	192802	192802
36	Bracket, Blower Mounting	192482	192482	192482	192482
37	Tube, Pressure	193738-8	193738-8	193738-8	193738-8

BTH150 970/971	BTH 150 973	BTH 199 966/967	BTH 199 970/971	BTH 199 973	BTH 250 966	BTH 250 970
181260	181260	181260	181260	181260	181260	181260
99038	99038	99038	99038	99038	99038	99038
99037	99037	99037	99037	99037	99037	99037
193885	193885	193885	193885	193885	193885	193885
193886	193886	193886	193886	193886	193886	193886
193887	193887	193239-1	193887	193887	193239-1	193887
193887	193887	193239-1	193887	193887	-----	-----
26273-6	26273-6	26273-6	26273-6	26273-6	26273-6	26273-6
99465-7	99465-7	99465-7	99465-7	99465-7	192467	192467
192606	192606	192606	192606	192606	192606	192606
192609	192609	192609	192609	192609	192609	192609
183523-52	183523-52	183523-52	183523-52	183523-52	183523-52	183523-52
78754	78754	78754	78754	78754	78754	78754
183301	183301	183301	183301	183301	183301	183301
190600	190600	190600	190600	190600	190600	190600
-----	-----	-----	-----	-----	193358	193358
193358	193358	193358	193358	193358	-----	-----
-----	-----	-----	-----	-----	-----	-----
192480	192480	192480	192480	192480	-----	-----
-----	-----	-----	-----	-----	-----	-----
192996	192996	192996	192996	192996	-----	-----
-----	-----	-----	-----	-----	-----	-----
-----	-----	-----	-----	-----	-----	-----
192889	192889	192889	192889	192889	193204	193204
161040	161040	161040	161040	161040	161040	161040
161040-1	161040-1	161040-1	161040-1	161040-1	161040-1	161040-1
191068	191068	191068	191068	191068	191068	191068
194502	194502	194502	194502	194502	194502	194502
-----	-----	-----	-----	-----	-----	-----
192622-1	192622-1	192622-1	192622-1	192622-1	192622-1	192622-1
194123-1	194123-1	194123-1	194123-1	194123-1	194123-1	194123-1
194123	194123	194123	194123	194123	194123	194123
-----	-----	-----	-----	-----	-----	-----
193822	193822	193822	193822	193822	193822	193822
192623	192623	192623	192623	192623	192623	192623
194126	194126	194126	194126	194126	194126	194126
2233	2233	2233	2233	2233	2233	2233
194203	194203	194203	194203	194203	194203	194203
193884	193884	193884	193884	193884	193884	193884
194202	194202	194202	194202	194202	194202	194202
193243	193243	193243	193243	193243	193243	193243
194261	194261	194261	194261	194261	194261	194261
-----	-----	-----	-----	-----	-----	-----
193363	-----	193363	193363	-----	193361	193361
193355	193355	193356	193356	193356	193357	193357
193362	-----	193364	193364	-----	193357	193357
193357	193357	193357	193357	193357	-----	-----
194706	194706	193295	194706	194706	193295	194706
194673	194675	193554	194673	194675	193203	194674
192886-1	192886-1	192886-1	192886-1	192886-1	192886-1	192886-1
192815	192815	192815	192815	192815	192815	194116
-----	-----	-----	-----	-----	192987	-----
-----	-----	-----	-----	-----	193252	-----
-----	-----	-----	-----	-----	193253	-----
193246	193246	193246	193246	193246	193246	193246
192802	192802	192802	192802	192802	192802	192802
192482	192482	192482	192482	192482	192482	192482
193738-8	193738-8	193738-8	193738-8	193738-8	193738-8	193738-8

ITEM	DESCRIPTION	BTH120 966/967	BTH120 970/971	BTH 120 973	BTH 150 966/967
38 Tube, Pressure		193738-22	193738-22	
39 Tube, Pressure	193738-3			193738-3
40 Tubing Connector	192152-1			192152-1
41 Tube, Air	192469-10	192469-10	192469-10	192469-10
42 Clamp - 3"	192696	192696	192696	192696
43 Transformer, 120V-24V,60 Hz,20 VA	192608	192608	192608	192608
44 Wire Assembly, Air Flow Switch	192802-1	192802-1	192802-1	
GAS VALVE					
45 Nipple, Pipe 3/4"	85040-18	85040-18	85040-18	85040-18
46 Nipple, Pipe 1/8"	192948-1	192948-1	192948-1	
47 Union, Pipe	95515	95515	95515	95515
48 Switch, Low Gas Pressure, Natural	191149-1	191149-5	191149-5	
48 Switch, Low Gas Pressure, Propane	191149-4	191149-4	191149-4	
49 Tee, 1/8"	40119	40119	40119	
50 Gas Valve, Natural Gas	192966	192966		192797
50 Gas Valve, Propane Gas	192967	192967	192967	192454-1
EXHAUST ELBOW, VENT KIT PARTS					
51 Adapter, Hose Fitting	192472	192472	192472	192472
52 Elbow 90°	192473	192473	192473	192473
53 Nipple, Close	194558	194558	194558	194558
54 Plug, Hex	194560	194560	194560	194560
55 Tee	194559	194559	194559	194559
56 Tubing	191746-72	191746-72	191746-72	191746-72
57 Connector, Exhaust	192636	192636	192636	192636
58 Hose Clamp, 3"	192696	192696	192696	192696
59 Hose Clamp, 4 1/2"	192697	192697	192697	192697
VENT KIT PARTS					
60 Elbow w/Screen	192815	192815	192815	192815
61 Elbow, 45° x 3.5"	181901	181901	181901	181901
62 Screen	181662	181662	181662	181662
63 Intake Vent Terminal Assy.				182167
64 Wall Plates (2 Req'd.)	181557	181557	181557	181557
65 Silicone Sealer, 2 oz. Tube	181564	181564	181564	181564
BURNER - ASSEMBLY					
66 Burner	193250	193250		193250
66 Burner for (BTH-120, 150, 199) 973			195138-2	
67 Ignitor Assembly	192638	192638	192638	192638
68 Air Deflector -Natural Gas	193270	NR		193270
68 Air Deflector -Propane Gas	193428	NR	NR	193428
69 Air Restrictor - Natural Gas	192450-3	192450-3		192450-1
69 Air Restrictor - Propane Gas	192450-5	192450-5	192450-5	192450-5
70 Hose Barb	192800-1	192800-1	192800-1	192800-1
71 Flame Rod Assembly	192478	192478	192478	192478
72 Screw, Self-Tapping #8-18 (2 Req'd.)	192698	192698	192698	192698
73 Orifice - Natural Gas	192477-3	192477-3		192477-1
73 Orifice - Propane Gas	192477-6	192477-6	192477-6	192477-5
74 Orifice Holder	192447	192447	192447	192447
75 Gasket	192331	192331	192331	192331

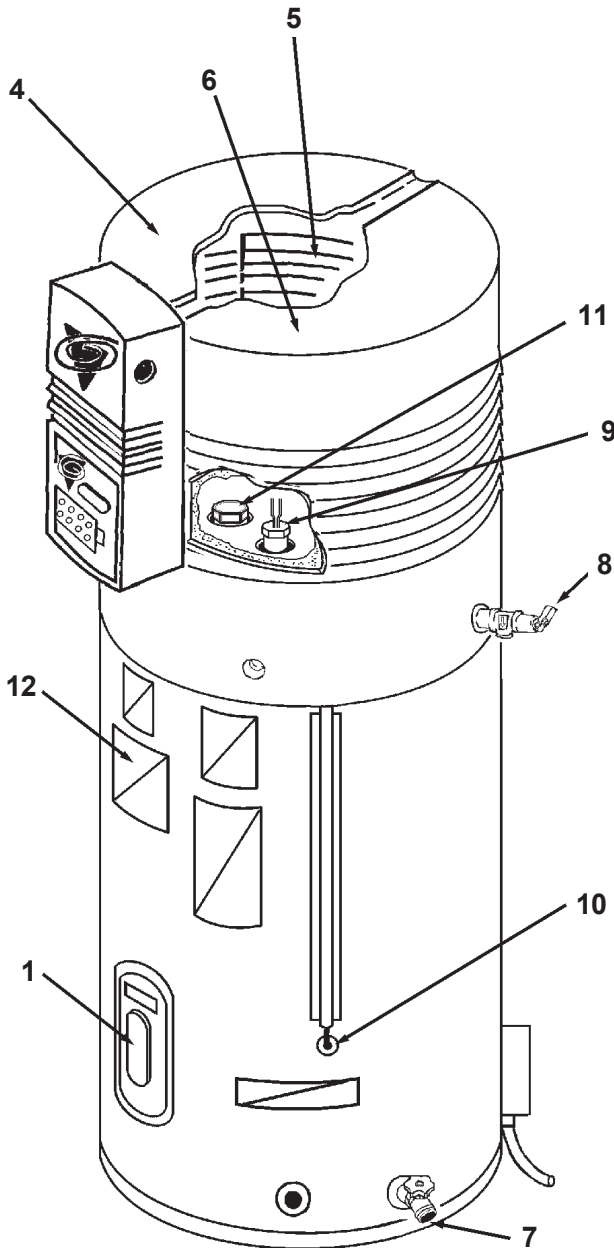
*Not illustrated.

NOTE: Underlined parts are recommended stock items for emergency replacement. Consider gas used in your area on

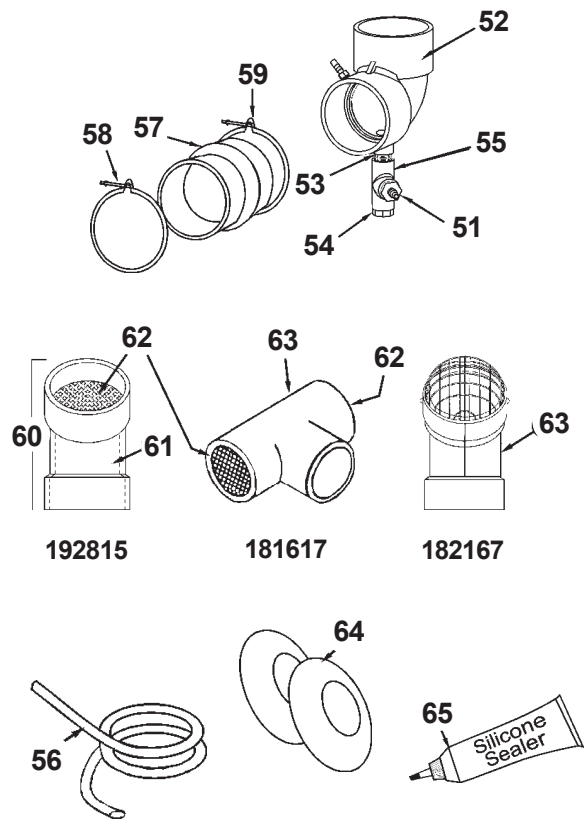
BTH150 970/971	BTH 150 973	BTH 199 966/967	BTH 199 970/971	BTH 199 973	BTH 250 966	BTH 250 970
193738-22	193738-22		193738-22	193738-22		193738-22
		193738-3			193738-3	
		192152-1			192152-1	
192469-10	192469-10	192469-10	192469-10	192469-10	192469-10	192469-10
192696	192696	192696	192696	192696	192696	192696
192608	192608	192608	192608	192608	192608	192608
					192802-1	192802-1
85040-18	85040-18	85040-18	85040-18	85040-18	85040-18	85040-18
					192948	192948
95515	95515	95515	95515	95515	95515	95515
					191149-1	191149-5
					40119	40119
192797		192797	192797		192454	192454
192454-1	192454-1	192454-1	192454-1	192454-1		
192472	192472	192472	192472	192472	192472	192472
192473	192473	192473	192473	192473	192473	192473
194558	194558	194558	194558	194558	194558	194558
194560	194560	194560	194560	194560	194560	194560
194559	194559	194559	194559	194559	194559	194559
191746-72	191746-72	191746-72	191746-72	191746-72	191746-72	191746-72
192636	192636	192636	192636	192636	192636	192636
192696	192696	192696	192696	192696	192696	192696
192697	192697	192697	192697	192697	192697	192697
192815	192815	192815	192815	192815	192815	192815
181901	181901	181901	181901	181901	181901	181901
181662	181662	181662	181662	181662	181662	181662
182167	182167	182167	181617	181617	181617	181617
181557	181557	181557	181557	181557	181557	181557
181564	181564	181564	181564	181564	181564	181564
193250		193250	193250		193250	193250
	195138-2			195138-2		
192638	192638	192638	192638	192638	192638	192638
NR		193270	NR		193270	NR
NR	NR	193428	NR	NR		
192450-1		192450	192450		192450-2	192450-2
192450-5	192450-5	192450-4	192450-4	192450		
192800-1	192800-1	192800-1	192800-1	192800-1	192800-1	192800-1
192478	192478	192478	192478	192478	192478	192478
192698	192698	192698	192698	192698	192698	192698
192477-1		192477	192477		192477-3	192477-3
192477-5	192477-5	192477-4	192477-4	192477-10		
192447	192447	192447	192447	192447	192447	192447
192331	192331	192331	192331	192331	192331	192331

only. Standard hardware items may be purchased locally.

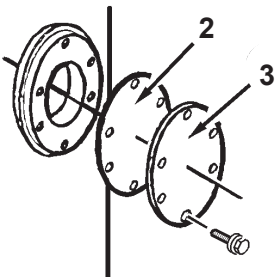
BTH 120-250



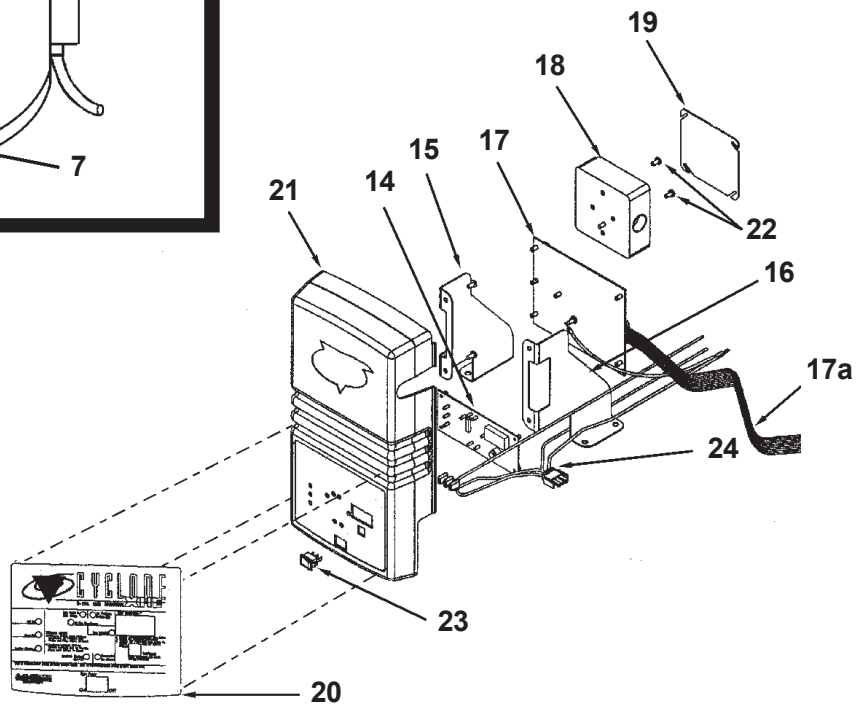
EXHAUST ELBOW, VENT KIT PARTS



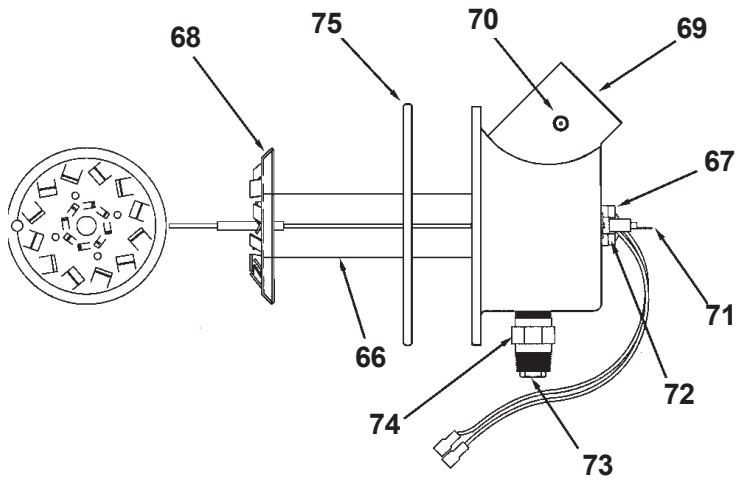
CLEAN OUT ASSEMBLY



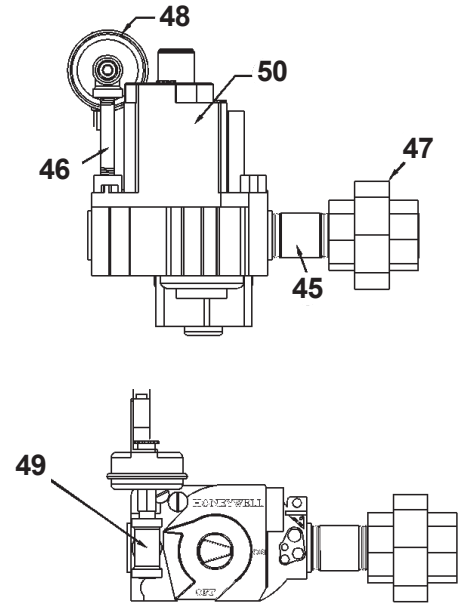
CONTROL PANEL



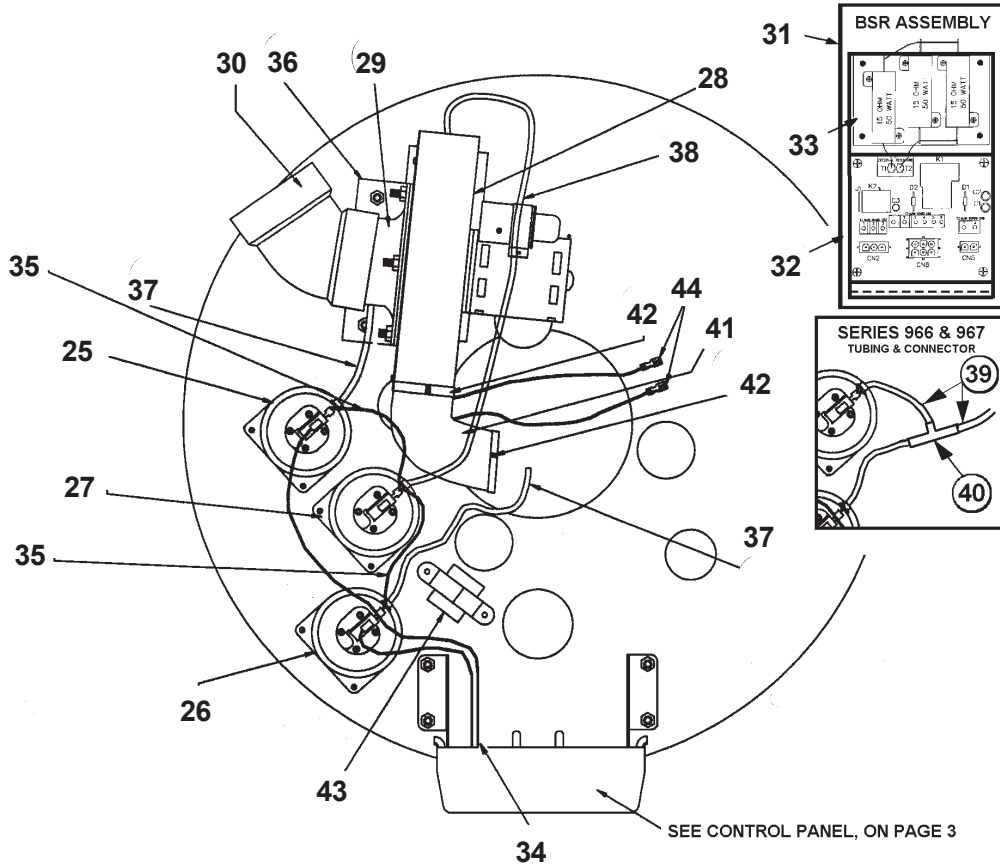
BURNER ASSEMBLY



GAS VALVE



TOP COVER CONTROLS





A.O. SMITH WATER PRODUCTS CO., INC.
5621 W. 115TH STREET • ALSIP, ILLINOIS 60803
Phone: 1-800-433-2545 • Fax: 1-800-433-2515
website: [www@hotwater.com](http://www.hotwater.com) • email: www.hotwater.com/parts