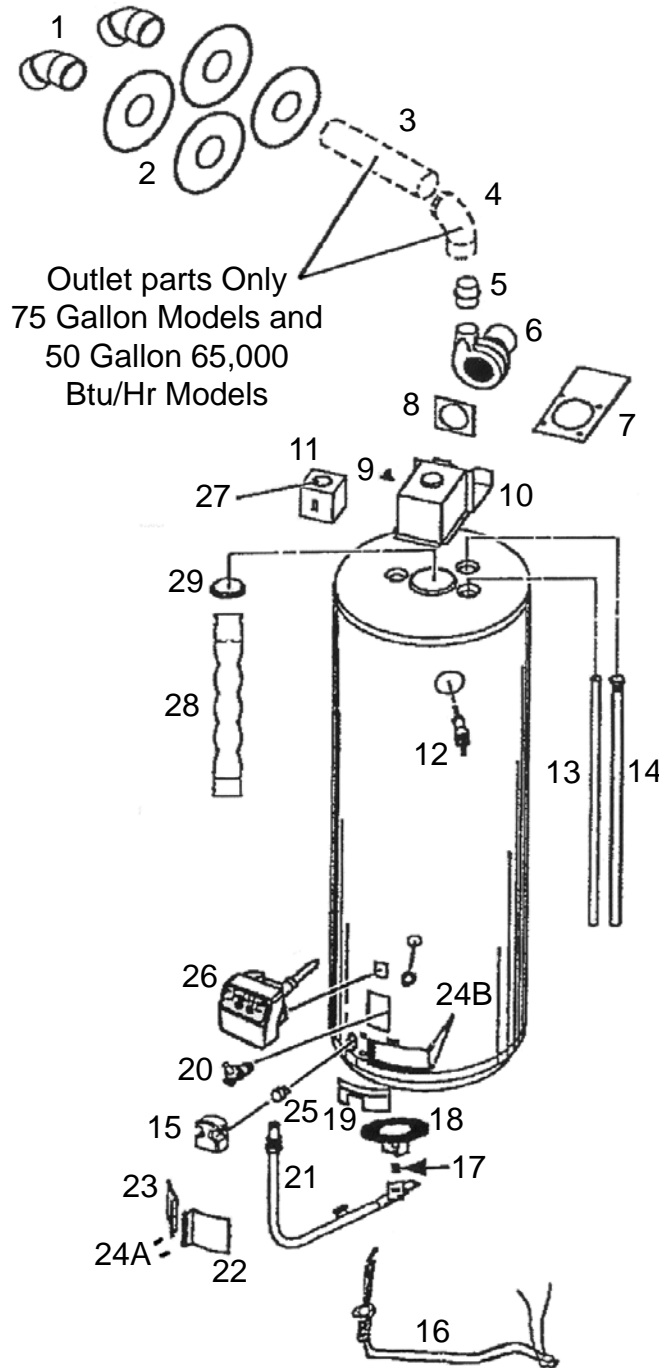


# A.O. Smith Water Heaters

A.O. Smith Water Heater Parts Fulfillment  
125 Southeast Parkway • Franklin, TN 37068  
www.hotwater.com • 1-800-433-2545

## GAS POWER DIRECT VENT PARTS LIST

MODELS:  
GPD 40/50/75 Series 100/101  
GPDX 50 Series 100/101



~ Power Direct Vent Parts List Residential ~

Item	Description	GPD 40	GPD 50	GPD 50	GPD 75
1.....	Vent Cap w/Screen.....	9001957005.....	9001957005.....	9001957005.....	9001957005
1.....	Vent Cap w/Screen (Canada).....	9006338005.....	9006338005.....	9006338005.....	9006338005
2.....	Adaptor, Flue Mounting.....	9004364105.....	9004364105.....	9004364105.....	9004364105
3.....	5' ABS Schedule 40 Vent Pipe.....	N/A.....	N/A.....	9002106005.....	N/A
3.....	5' CPVC Schedule 40 Vent Pipe.....	N/A.....	N/A.....	N/A.....	185782-000
3.....	5' CPVC Schedule 40 Vent Pipe (Canada).....	N/A.....	N/A.....	185889-000.....	185889-000
4.....	90° ABS Sch. 40 Elbow.....	N/A.....	N/A.....	9002107005.....	N/A
4.....	90° CPVC Sch. 80 Elbow.....	N/A.....	N/A.....	N/A.....	185783-000
4.....	90° CPVC Sch. 80 Elbow (Canada).....	N/A.....	N/A.....	185888-000.....	185888-000
5.....	Vent Blower Adaptor.....	9002506005.....	9002506005.....	9003154005.....	9002506005
6.....	Blower.....	9006457005.....	9006457005.....	9006458005.....	9006459005
7.....	Flue Adaptor Gasket 6"x10.102".....	9002567015.....	9002567015.....	9002567015.....	9002567015
8.....	Blower Gasket.....	9002508015.....	9002508015.....	9002508015.....	9002508015
9.....	Venting Manual Reset Switch Assembly.....	9002678005.....	9002678005.....	9002678005.....	9002678005
9.....	Venting Manual Reset Switch Assembly.....	Consist of.....	Consist of.....	Consist of.....	Consist of
	a. Venting Manual Reset Switch.....				
	b. Cover High Limit Switch.....				
10....	Vent Hood Assembly.....	9002509005.....	9002509005.....	9003220005.....	9002670005
11....	Junction Box.....	9006349005.....	9006350005.....	9006348005.....	9006349005
12....	T&P Valve.....	9000728015.....	9000728015.....	9000728015.....	9000728015
13....	Dip Tube.....	9003663005.....	9003665005.....	9002542005.....	9003668005
14....	Anode, Aluminum.....	9000029005.....	9000029005.....	9003892005.....	9000029005
14....	Anode, Magnesium.....	9003721005.....	9003721005.....	9003721005.....	9003721005
15....	FV Sensor Bracket (Plastic Housing).....	9006367015.....	9006367015.....	9006367015.....	9006367015
16....	Hot Surface Ignition Assembly.....	9006354005.....	9006354005.....	9006354005.....	9006354005
17A..	Orifice Natural.....	9001700015.....	9001700015.....	181508-028.....	9006368015
17B..	Orifice Propane.....	9002133015.....	9002133015.....	181791-044.....	181791-043
18....	Burner Assembly Natural Gas.....	9006359005.....	9006359005.....	9006357005.....	9006355005
18....	Burner Assembly Propane Gas.....	9006365005.....	9006365005.....	9006363005.....	9006361005
19....	Inner Door.....	9000281005.....	9000281005.....	9000281005.....	9000281005
20....	Drain Valve.....	9001870015.....	9001870015.....	9001870015.....	9001870015
21....	Manifold Natural Gas.....	9003622005.....	9003622005.....	184320-001.....	9003623005
21....	Manifold Propane Gas.....	9003624005.....	9003624005.....	184323-001.....	9003625005
22....	Right Access Door w/Gasket.....	9000695005.....	9000695005.....	9000695005.....	9000695005
23....	Left Access Door w/Gasket.....	9000696005.....	9000696005.....	9000696005.....	9000696005
24A..	Access Door Clips (2).....	9000694015.....	9000694015.....	9000694015.....	9000694015
24B..	Jacket/Access Door Clips (6).....	9001305015.....	9001305015.....	9001305015.....	9001305015
25....	FV Sensor.....	9005968015.....	9005968015.....	9005968015.....	9005968015
26....	Gas Thermostat Natural Gas.....	9005110005.....	9005110005.....	9005110005.....	9005964005
26....	Gas Thermostat Propane Gas.....	9005111005.....	9005111005.....	9005111005.....	9005965005
27....	Pressure Switch (Air).....	9006352005.....	9006353005.....	9006351005.....	9006352005
28....	Flue Baffle Assembly.....	9002510005.....	9002632005.....	9003217005.....	9002653005
29....	Baffle Adaptor Collar Assembly.....	Consist of.....	Consist of.....	Consist of.....	Consist of
	a. Flue Baffle.....	9001289015.....	N/A.....	9001289015.....	9001290015
	b. Adaptor Gasket.....	9001291015.....	N/A.....	9001292015.....	9001292015
	c. Top Adaptor.....	9001293015.....	N/A.....	9001294015.....	9001294015
30**	3" Heat Trap Nipple.....	9003915015.....	9003915015.....	9003915015.....	9003915015
31**	Outlet Anode w/3" HT nipple*.....	9003934005.....	9003934005.....	9003934005.....	9003934005

\* Circulating Loop Models Only

\*\* Not Pictured



A.O. Smith Water Heater Parts Fulfillment • 125 Southeast Parkway • Franklin, TN 37068 • 1-800-433-2545 • www.hotwater.com