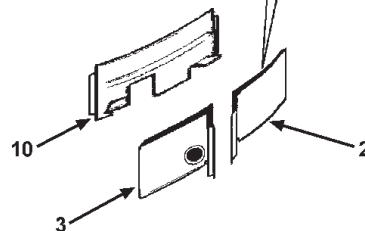
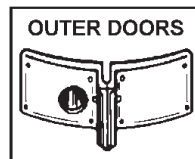
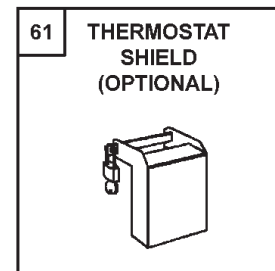
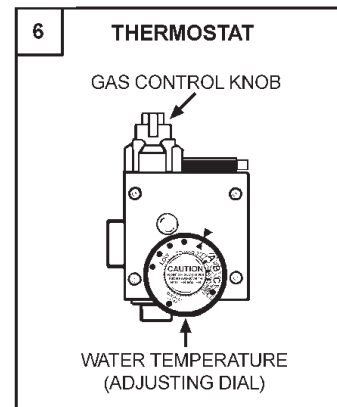
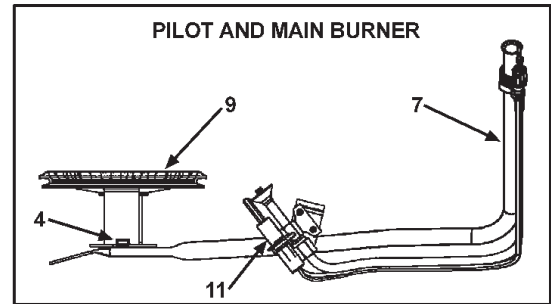
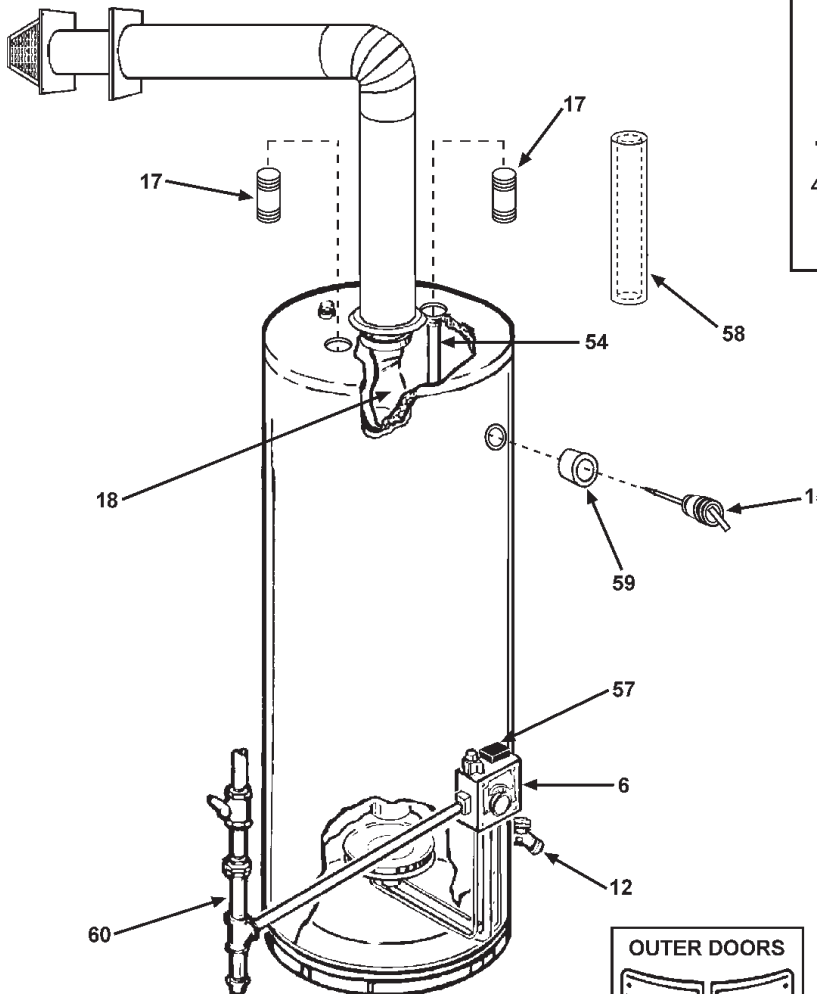



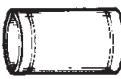




A.O. Smith Water Heaters

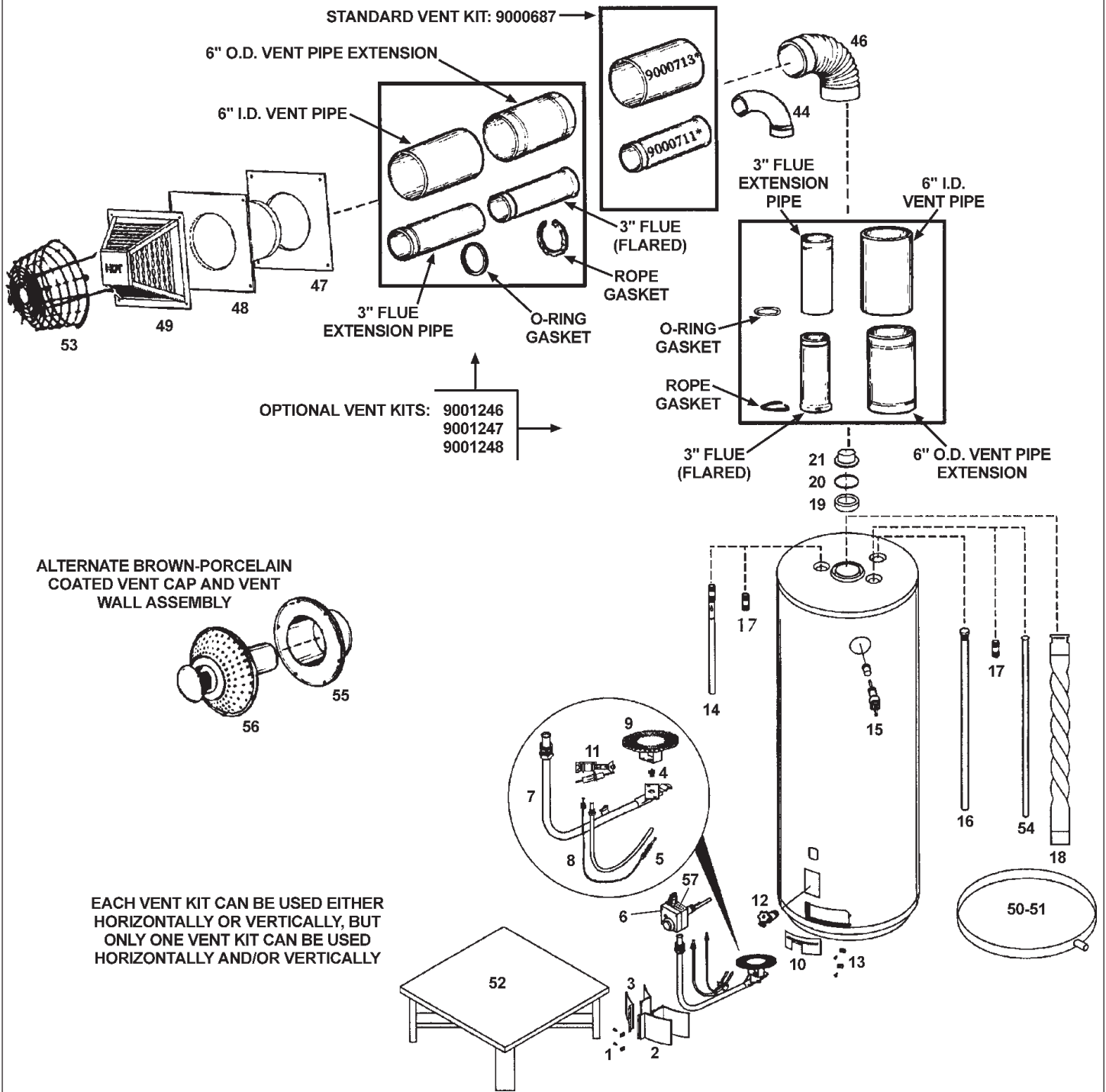
GAS

RESIDENTIAL WATER HEATER PARTS LIST
MODELS: GDVS-40, XDVS-40, GDVH-40
GDVS-50, XDVS-50, GDVH-50, GDVH-75
GDVH-40Q, GDVH-50Q, GDVH-75Q
GDVH-40L, GDVH-50L, GDVH-75L



A.O. Smith Water Heater Parts Fulfillment
125 Southeast Parkway, Franklin, TN 37068
1-800-527-1953
www.hotwater.com

6" I.D. VENT PIPE	6" O.D. VENT EXTENSION PIPE	O-RING GASKET	3" FLUE PIPE	3" FLUE EXTENSION PIPE	ROPE GASKET
					
25 27 35 41	28 33 39	22 31 37 43	29 34 40	23 26 32 38	24 30 36 42 45



Item #	Description	GDVS-40	XDVS-40	GDVH-40 GDVH-40Q GDVH-40L
1	Access Door Clips (Pkg. 2)	9000694	9000694	9000694
2	Right Access Door w/Gasket	9000695	9000695	9000695
3	Left Access Door w/Gasket	9000696	9000696	9000696
4	Burner Orifice (Nat.) (Drill Size) #36	9005165	9005165	9001700
4	Burner Orifice (Nat.) High Altitude (Drill Size) #39	9005928	9005928	9005165
4	Burner Orifice (L.P.) LHT (Drill Size) #51	9004005	9004005	9002134
4	Burner Orifice (L.P.) High Altitude/LHT (Drill Size) #52	9002129	9002129	9004005
5	Thermocouple	9000876	9000876	9000876
6	Gas Control Valve (Nat.)	9000249	9000249	9000249
6	Gas Control Valve Propane (L.P.)	9002123	9002123	9002123
7	Gas Manifold (Nat.)	9002413	9002413	9002413
7	Gas Manifold (L.P.)	9002415	9002415	9002415
8	Pilot Tubing w/Fittings	9000278	9000278	9000278
9	Burner (Nat.)	9002411	9002411	9002411
9	Burner Propane (L.P.)	9002411	9002411	9002411
10	Inner Door	9000281	9000281	9000281
11	Pilot (Nat.) w/electrode	9003084	9003084	9003084
11	Pilot Propane (L.P.) w/electrode	9003085	9003085	9003085
12	Drain Valve	9000058	9000058	9000058
13	Jacket Clips (Pkg. 8)	9001305	9001305	9001305
14	Secondary Anode w/Nipple*	9000705	9000705	9000705
15	Temperature-Pressure Relief Valve	9000728	9000728	9000728
16	Anode Rod	9000707	9001829	9000707
17	Nipple	9000399	9000399	9000399
18	Flue Baffle (Nat.)	9000709	9000709	9002837
18	Flue Baffle (L.P.)	9000709	9000709	9001287
19	Flue Adapter	N/A	N/A	9001289
20	Adapter Gasket	N/A	N/A	9001291
21	Adapter Plate w/Gasket	N/A	N/A	9001293
Standard Kit No. 9000687				
22	O-Ring Gasket	9000710	9000710	9000710
23	3" I.D. x 9.5" Flue Extension Pipe with Gaskets	9000711	9000711	9000711
24	Rope Gasket	9000712	9000712	9000712
25	3" I.D. x 5 1/2" Vent Extension Pipe Kit AVK-1 No. 90001246	9000713	9000713	9000713
26	3" I.D. x 7 7/8" Flue Extension Pipe with Gaskets	9001280	9001280	9001280
27	6" I.D. x 8 1/8" Vent Pipe	9001277	9001277	9001277
28	6" O.D. x 8 1/8" Vent Extension Pipe	9001274	9001274	9001274
29	3" O.D. x 8 3/8" Flue Pipe	9001283	9001283	9001283
30	Rope Gasket	9000712	9000712	9000712
31	O-Ring Gasket	9000710	9000710	9000710
Kit AVK-2 No. 90001247				
32	3" I.D. x 13 7/8" Flue Extension Pipe with Gaskets	9001281	9001281	9001281
33	6" O.D. x 13 5/8" Vent Extension Pipe	9001275	9001275	9001275
34	3" O.D. x 13 3/8" Flue Pipe	9001284	9001284	9001284
35	6" I.D. x 13 5/8" Vent Pipe	9001278	9001278	9001278
36	Rope Gasket	9000712	9000712	9000712
37	O-Ring Gasket	9000710	9000710	9000710
Kit AVK-3 No. 9001248				
38	3" I.D. x 24 3/8" Flue Extension Pipe with Gaskets	9001282	9001282	9001282
39	6" O.D. x 24 3/8" Vent Extension Pipe	9001276	9001276	9001276
40	3" O.D. x 24 3/8" Flue Pipe	9001285	9001285	9001285
41	6" I.D. x 24 3/8" Vent Pipe	9001279	9001279	9001279
42	Rope Gasket	9000712	9000712	9000712
43	O-Ring Gasket	9000710	9000710	9000710
44	3" Flue Elbow	9000718	9000718	9000718
45	Rope Gasket	9000712	9000712	9000712
46	6" Vent Elbow	9000719	9000719	9000719
47	Inside Wall Collar	9003168	9003168	9003168
48	6" Vent Wall Assembly	9003166	9003166	9003166
49	Vent Cap Assembly	9003165	9003165	9003165
50	24" Diameter Drain Pan w/Side Drain	9002769	9002769	9002769
51	28" Diameter Drain Pan w/Side Drain	N/A	N/A	N/A
52	24" Base Stand	9001422	9001422	9001422
53	Wire Grill Protector	9000915	9000915	9000915
54	Dip Tube	*9002365	*9002365	*9002365
55	6" Vent Wall Assembly	9000724	9000724	9000724
56	Brown-Porcelain Vent Cap Assembly	9000725	9000725	9000725
57	Piezo Ignitor w/Bracket	9003410	9003410	9003410
58	Pipe Insulation (optional)	181639-003	181639-003	181639-003
59	T & P Insulation (optional)	183256-000	183256-000	183256-000
60	Dirt Leg Assembly	181206-001	181206-001	181206-001
61	Thermostat Shield (optional)	185424-000	185424-000	185424-000

* NOTE: Some models are factory equipped with a special dip tube to retard a build-up of mineral deposits precipitating from the water supply over time. This is not illustrated and is not a replaceable part.

Item #	Description	GDVS-50	XDVS-50	GDVH-50 GDVH-50Q GDVH-50L	GDVH-75 GDVH-75Q GDVH-75L
1	Access Door Clips (Pkg. 2)	9000694	9000694	9000694	9000694
2	Right Access Door w/Gasket	9000695	9000695	9000695	9000695
3	Left Access Door w/Gasket	9000696	9000696	9000696	9000696
4	Burner Orifice (Nat.) (Drill Size)	9005170 #35	9005170 #35	9005171 1/8	9001701 #30
4	Burner Orifice (Nat.) High Altitude (Drill Size)	9001886 #37	9001886 #37	9001700 #33	9005172 #31
4	Burner Orifice (L.P.) LHT (Drill Size)	9004005 #51	9004005 #51	9002130 #49	N/A N/A
4	Burner Orifice (L.P.) High Altitude/LHT (Drill Size)	9002129 #52	9002129 #52	9002134 #50	N/A N/A
5	Thermocouple	9000876	9000876	9000876	9002002
6	Gas Control Valve (Nat.)	9000249	9000249	9000249	9000249
6	Gas Control Valve Propane (L.P.)	9002123	9002123	9002123	9002123
7	Gas Manifold (Nat.)	9002413	9002413	9002413	9003046
7	Gas Manifold (L.P.)	9002415	9002415	9002415	N/A
8	Pilot Tubing w/Fittings	9000278	9000278	9000278	9000278
9	Burner (Nat.)	9002411	9002411	9002411	9003040
9	Burner Propane (L.P.)	9002411	9002411	9000349	N/A
10	Inner Door	9000281	9000281	9000281	9000281
11	Pilot (Nat.) w/electrode	9003084	9003084	9003084	9003084
11	Pilot Propane (L.P.) w/electrode	9003085	9003085	9003085	N/A
12	Drain Valve	9000058	9000058	9000058	9001588
13	Jacket Clips (Pkg. 8)	9001305	9001305	9001305	9001305
14	Secondary Anode w/Nipple*	9000705	9000705	9000705	9000705
15	Temperature-Pressure Relief Valve	9000728	9000728	9000728	9000728
16	Anode Rod	9000279	9003650	9000279	9000734
17	Nipple	9000399	9000399	9000399	9002298
18	Flue Baffle (Nat.)	9002836	9002836	9001288	9002297
18	Flue Baffle (L.P.)	9000806	9000806	9001288	N/A
19	Flue Adapter	N/A	N/A	9001290	9001290
20	Adapter Gasket	N/A	N/A	9001292	9001292
21	Adapter Plate w/Gasket	N/A	N/A	9001294	9001294
Standard Kit No. 9000687					
22	O-Ring Gasket	9000710	9000710	9000710	9000710
23	3" I.D. x 9.5" Flue Extension Pipe with Gaskets	9000711	9000711	9000711	9000711
24	Rope Gasket	9000712	9000712	9000712	9000712
25	3" I.D. x 5 1/2" Vent Extension Pipe Kit AVK-1 No. 90001246	9000713	9000713	9000713	9000713
26	3" I.D. x 7 7/8" Flue Extension Pipe with Gaskets	9001280	9001280	9001280	9001280
27	6" I.D. x 8 1/8" Vent Pipe	9001277	9001277	9001277	9001277
28	6" O.D. x 8 1/8" Vent Extension Pipe	9001274	9001274	9001274	9001274
29	3" O.D. x 8 3/8" Flue Pipe	9001283	9001283	9001283	9001283
30	Rope Gasket	9000712	9000712	9000712	9000712
31	O-Ring Gasket	9000710	9000710	9000710	9000710
Kit AVK-2 No. 90001247					
32	3" I.D. x 13 7/8" Flue Extension Pipe with Gaskets	9001281	9001281	9001281	9001281
33	6" O.D. x 13 5/8" Vent Extension Pipe	9001275	9001275	9001275	9001275
34	3" O.D. x 13 3/8" Flue Pipe	9001284	9001284	9001284	9001284
35	6" I.D. x 13 5/8" Vent Pipe	9001278	9001278	9001278	9001278
36	Rope Gasket	9000712	9000712	9000712	9000712
37	O-Ring Gasket	9000710	9000710	9000710	9000710
Kit AVK-3 No. 9001248					
38	3" I.D. x 24 3/8" Flue Extension Pipe with Gaskets	9001282	9001282	9001282	9001282
39	6" O.D. x 24 3/8" Vent Extension Pipe	9001276	9001276	9001276	9001276
40	3" O.D. x 24 3/8" Flue Pipe	9001285	9001285	9001285	9001285
41	6" I.D. x 24 3/8" Vent Pipe	9001279	9001279	9001279	9001279
42	Rope Gasket	9000712	9000712	9000712	9000712
43	O-Ring Gasket	9000710	9000710	9000710	9000710
44	3" Flue Elbow	9000718	9000718	9000718	9000718
45	Rope Gasket	9000712	9000712	9000712	9000712
46	6" Vent Elbow	9000719	9000719	9000719	9000719
47	Inside Wall Collar	9003168	9003168	9003168	9003168
48	6" Vent Wall Assembly	9003166	9003166	9003166	9003166
49	Vent Cap Assembly	9003165	9003165	9003165	9003165
50	24" Diameter Drain Pan w/Side Drain	9002769	9002769	9002769	N/A
51	28" Diameter Drain Pan w/Side Drain	N/A	N/A	N/A	9001608
52	24" Base Stand	9001422	9001422	9001422	N/A
53	Wire Grill Protector	9000915	9000915	9000915	9000915
54	Dip Tube	9001595	9001595	*9002361	*9001598
55	6" Vent Wall Assembly	9000724	9000724	9000724	9000724
56	Brown-Porcelain Vent Cap Assembly	9000725	9000725	9000725	9000725
57	Piezo Ignitor w/Bracket	9003410	9003410	9003410	9003410
58	Pipe Insulation (optional)	181639-003	181639-003	181639-003	181639-003
59	T & P Insulation (optional)	183256-000	183256-000	183256-000	183256-000
60	Dirt Leg Assembly	181206-001	181206-001	181206-001	181206-001
61	Thermostat Shield (optional)	185424-000	185424-000	185424-000	185424-000

* NOTE: Some models are factory equipped with a special dip tube to retard a build-up of mineral deposits precipitating from the water supply over time. This is not illustrated and is not a replaceable part.