

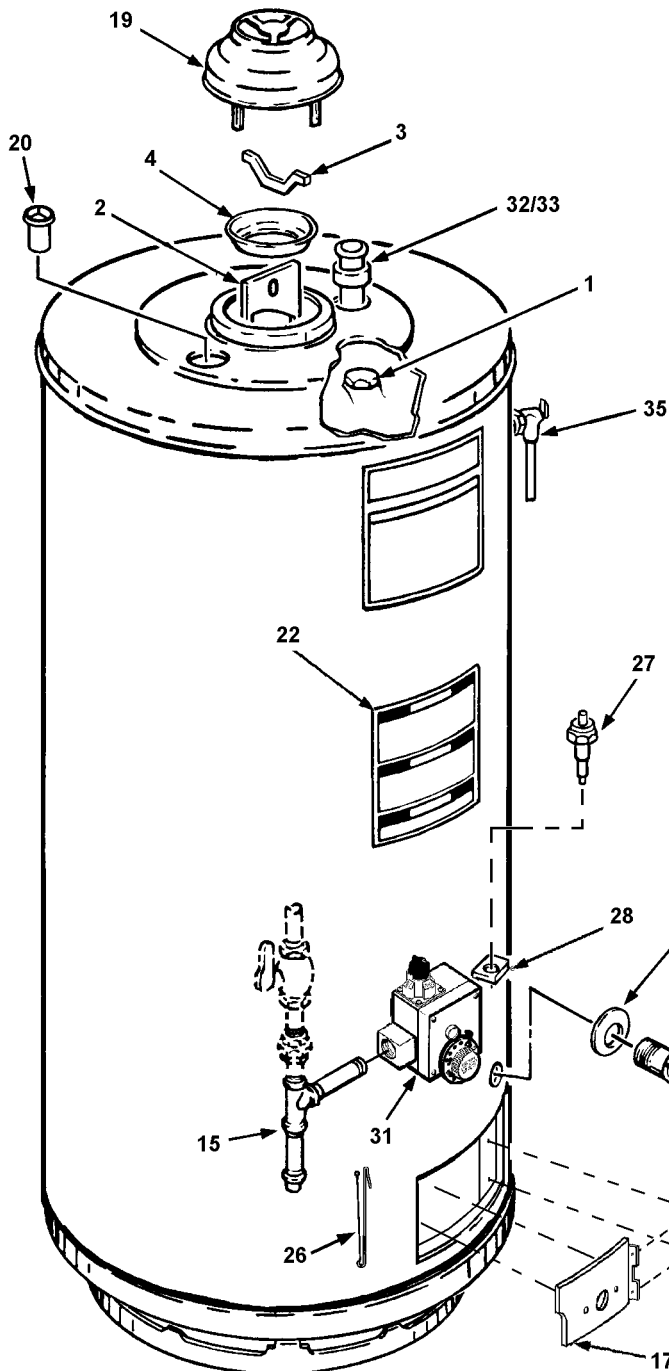
# A.O. Smith Water Heaters

# GAS

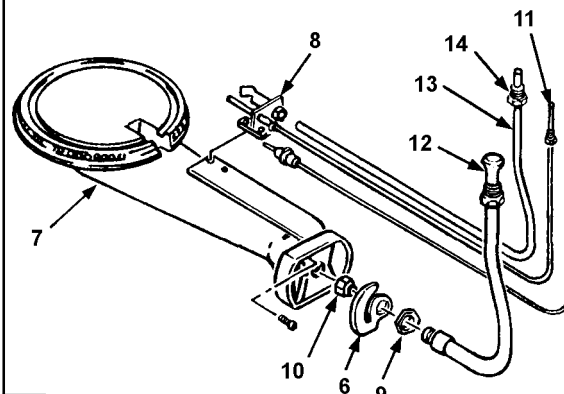
## RESIDENTIAL WATER HEATERS REPLACEMENT PARTS LIST

MODELS: PGC 40 & 50  
SERIES: 242 - 246

MODELS: CTG 40 & 50  
SERIES: 246

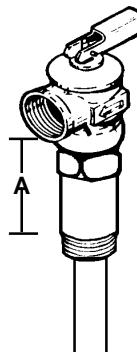


### BURNER ASSEMBLY

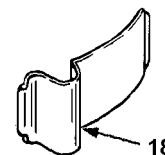


### 3/4" T&P RELIEF VALVE AUTOMATIC, SELF-CLOSING TYPES

PART NUMBER	PRESS	A =	TEMP RELIEF
43151-2	150 LBS.	1 7/8"	210°



### OUTER DOOR CTG MODELS ONLY



Item	Qty.	Description	PGCG 40 222-226 Natural	PGCG 40 246 Natural	PGCG 40 223-227 Propane	PGCG 50 222-226 Natural	PGCG 50 246 Natural	PGCG 50 223-227 Propane	CTG 40 226 Natural	CTG 50 226 Natural
1	.. 1	Anode	183523-39	183523-39	183523-39	183523-39	183523-39	183523-39	183523-39	183523-39
2	.. 1	Flue Baffle	181589	181589	181589	181589	181589	181589	181589	181589
3	.. 1	Hanger, Flue Baffle	181360	181360	181360	181360	181360	181360	181360	181360
4	.. 1	Restrictor, Flue Baffle	34894	34894	34894	34894	34894	34894	34894	34894
5	.. 1	Main Burner Ass'y.	181670	181670	<del>OBSOLETE</del>	181670-2	181670-2	<del>OBSOLETE</del>	183003	183003-1
6	.. 1	Air Shutter	181673	181673	181673	181673	181673	181673	181673	181673
7	.. 1	Main Burner	181654	181654	181654	181654	181654	181654	181654	181654
8	.. 1	Pilot Burner Ass'y.	181696-2	181696-2	181696-1	181696-2	181696-2	181696-1	183004	183004
9	.. 1	Nut, Air Shutter	181665-1	181665-1	181665-1	181665-1	181665-1	181665-1	181665-1	181665-1
10	.. 1	Orifice, Main Burner	181508-32	181508-32	181791-52	181508-32	181508-32	181791-52	181508-32	181508-32
11	.. 1	Thermocouple	23673	23673	23673	23673	23673	23673	23673	23673
12	.. 1	Tube, Main Burner	181663	181663	<del>OBSOLETE</del>	181663-1	181663-1	<del>OBSOLETE</del>	181663	181663-1
13	.. 1	Pilot Tube	23330	23330	23330	23330	23330	23330	23330	23330
14	.. 1	Nut, Compression	32365	32365	32365	32365	32365	32365	32365	32365
15	.. 1	Dirt Leg Ass'y	<del>-----</del>	<del>-----</del>	181206	<del>-----</del>	<del>-----</del>	181206	<del>-----</del>	<del>-----</del>
16	.. 1	Door Hinge	<del>-----</del>	<del>-----</del>	<del>-----</del>	<del>-----</del>	<del>-----</del>	<del>-----</del>	181453	181453
17	.. 1	Inner Door Ass'y	181667	181667	181667	181667	181667	181667	181667	181667
18	.. 1	Outer Door	181650	181650	181650	181650	181650	181650	181650-1	181650-1
19	.. 1	Draft Hood	181082-700	181082-700	181082-700	181082-700	181082-700	181082-700	181082-700	181082-700
20	.. 1	Outlet Heat Trap	181235	181235	181235	181235	181235	181235	<del>-----</del>	<del>-----</del>
21	.. 1	Instruction Manual*	182583	183392	182583	182583	183392	182583	183558	183558
<b>LABELS</b>										
22	.. 1	Ligting & Operating	182557	182796	182557	182557	182796	182557	183002	183002
23	.. 1	Warning, Flammable*	183300	183300	183300	183300	183300	183300	183300	183300
24	.. 1	Warning, Scald*	181138	181138	181138	181138	181138	181138	181138	181138
25	.. 1	Warning, Temperature*	182734	182734	182734	182734	182734	182734	182734	182734
<b>IGNITER</b>										
26	.. 1	Lighter Rod & Cable	180117	180117	180117	180117	180117	180117	180117	180117
27	.. 1	Piezo Igniter	70432	70432	70432	70432	70432	70432	<del>-----</del>	<del>-----</del>
28	.. 1	Bracket, Piezo Igniter	70434-3	70434-3	70434-3	70434-3	70434-3	70434-3	<del>-----</del>	<del>-----</del>
29	.. 1	Pipe Collar	20172-21	20172-21	20172-21	20172-21	20172-21	20172-21	20172-21	20172-21
30	.. 2	Pipe Insulation*	181639	181639	181639	181639	181639	181639	181639	181639
31	.. 1	Thermostat	180193-4	180193-4	182792-1	180193-4	180193-4	182792-1	180193-4	180193-4
32	.. 1	Heat Trap Inlet Tube	181068-37	181068-37	181068-37	181068-40	181068-40	181068-40	<del>-----</del>	<del>-----</del>
33	.. 1	Inlet Tube	<del>-----</del>	<del>-----</del>	<del>-----</del>	<del>-----</del>	<del>-----</del>	<del>-----</del>	21067-37	21067-37
34	.. 1	Drain Valve	26273-6	26273-6	26273-6	26273-6	26273-6	26273-6	26273-7	26273-7
35	.. 1	T & P Relief Valve	43151-2	43151-2	43151-2	43151-2	43151-2	43151-2	43151-2	43151-2
36	.. 1	Thermostat Shield (optional)	191259-001	191259-001	191259-001	191259-001	191259-001	191259-001	191259-001	191259-001

**SMR S19 & S44**

1	.. 1	Anode - Magnesium	183463-39	183463-39	183463-39	183463-39	183463-39	183463-39	183463-39	183463-39
---	------	-------------------	-----------	-----------	-----------	-----------	-----------	-----------	-----------	-----------

**SMR K32**

5	.. 1	Main Burner Ass'y.	181670-4	181670-4	<del>-----</del>	181670-5	181670-5	<del>-----</del>	<del>-----</del>	<del>-----</del>
10	.. 1	Orifice, Main Burner	181508-35	181508-35	<del>-----</del>	181508-35	181508-35	<del>-----</del>	<del>-----</del>	<del>-----</del>

**SMR R99 & S06**

21	.. 1	* Manual - Earthquake	181809	181809	181809	181809	181809	181809	181809	181809
-	.. 1	* Insert Sheet	182552	182552	182552	182552	182552	182552	<del>-----</del>	<del>-----</del>

\* Not Illustrated

Part numbers underlined are recommended stock items.

**A.O. Smith Water Heater Parts Fulfillment**  
**125 Southeast Parkway**  
**Franklin, TN 37068**  
**1-800-527-1953**  
**www.hotwater.com**