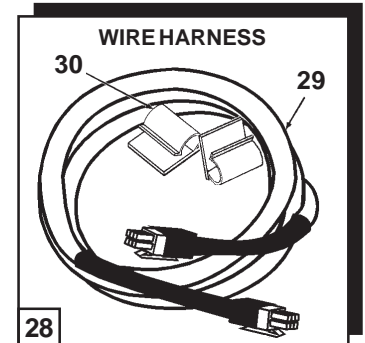
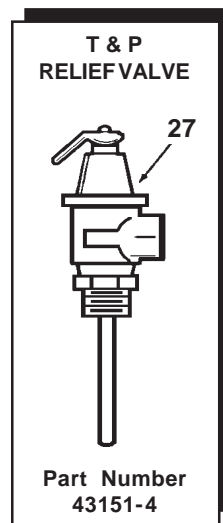
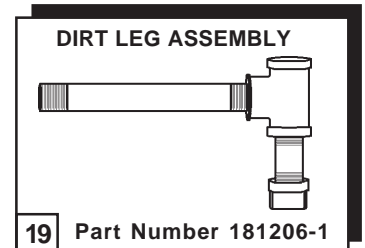
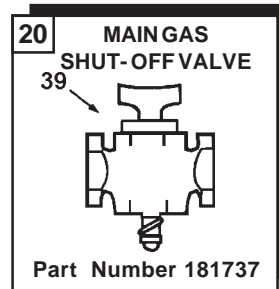
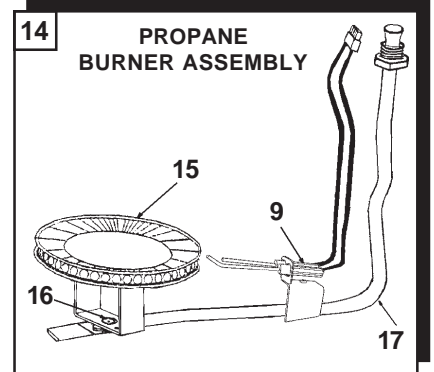
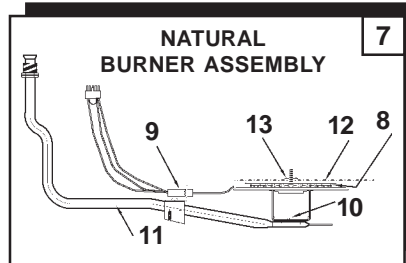
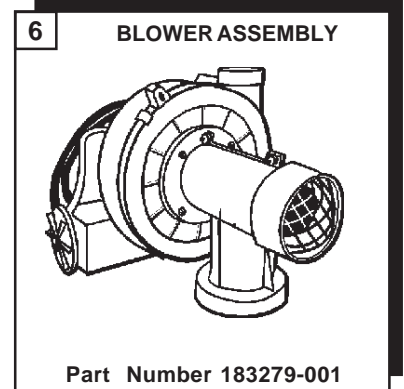
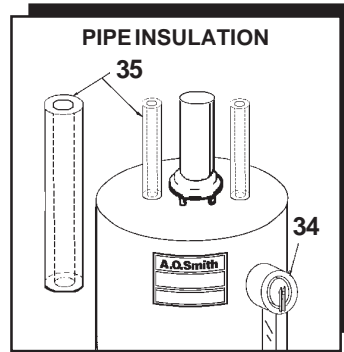
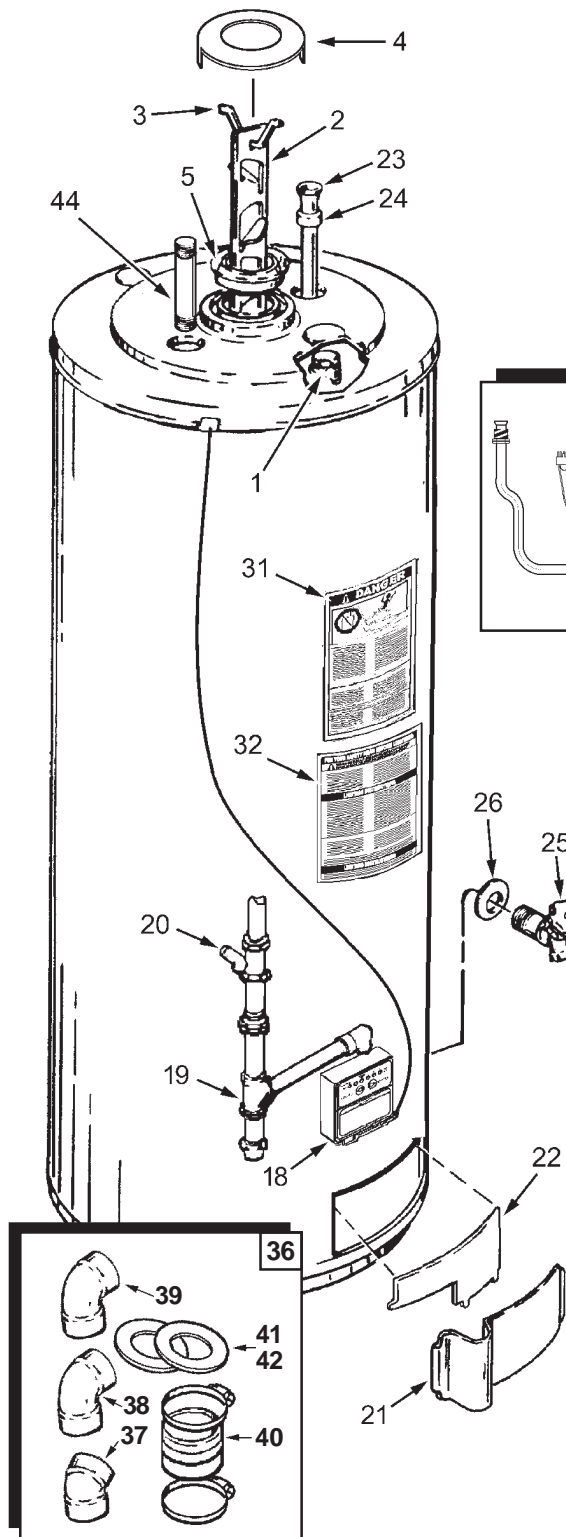


A.O. SMITH

WATER PRODUCTS COMPANY

GAS

RESIDENTIAL WATER HEATER PARTS LIST
 MODELS GPSX- 50/50L/50Q
 SERIES 200/201



A.O. SMITH WATER PRODUCTS COMPANY

5621 W. 115TH STREET • ALSIP, ILLINOIS 60803

PHONE: 1-800-433-2545 • FAX: 1-800-433-2515

Website: www.aosmithwaterheaters.com • E-mail: parts@hotwater.com

Item	Description	GPSX-50 200/201	GPSX-50L 200/201	GPSX-50Q 200/201
1	Anode - Aluminum (.750" dia.) Standard Models	183523-029	N/A	N/A
1	Anode - Magnesium (.840" dia.)	183463-029	183463-029	183463-029
1	Anode - KA-90 Aluminum (.750" dia.)	183382-029	N/A	N/A
BAFFLE				
2	Baffle, Flue - Natural - Series 200	185068-000	185068-000	185068-000
2	Baffle, Flue - Propane - Series 201	184688-000	184688-000	184688-000
3	Hanger, Flue Baffle - Propane - Series 201	181360-000	181360-000	181360-000
4	Restrictor Plate, Baffle - Propane - Series 201	183424-000	183424-000	183424-000
5	Restrictor - Flue Ring	034894-000	034894-000	034894-000
6	BLOWER ASSEMBLY	<u>183279-001</u>	<u>183279-001</u>	<u>183279-001</u>
7	BURNERASSEMBLY-NATURAL-SERIES200	185065-000	185065-000	185065-000
8	Burner - Main-Natural	183583-001	183583-001	183583-001
9	Ignitor - Hot Surface	<u>184047-000</u>	<u>184047-000</u>	<u>184047-000</u>
10	Oriface, Main - Natural	181508-024	181508-024	181508-024
11	Tube, Main Burner - Natural	185064-000	185064-000	185064-000
12	Screen - Burner	185028-001	185028-001	185028-001
13	Nut, Hex - 10-24	184746-000	184746-000	184746-000
14	BURNERASSEMBLY-PROPANE-SERIES201	184060-000	184060-000	184060-000
15	Burner - Main - Propane	183220-000	183220-000	183220-000
9	Ignitor - Hot Surface	<u>184047-000</u>	<u>184047-000</u>	<u>184047-000</u>
16	Oriface, Main - Propane	181791-044	181791-044	181791-044
17	Tube, Main Burner - Propane	184059-000	184059-000	184059-000
18	Valve, Combination Control - Natural	<u>183760-002</u>	<u>183760-002</u>	<u>183760-002</u>
18	Valve, Combination Control - Propane	<u>183760-003</u>	<u>183760-003</u>	<u>183760-003</u>
19	Dirt Leg Assembly, Propane (Not Factory Supplied)	181206-001	181206-001	181206-001
20	Valve - Main Gas Shutoff (Not Factory Supplied)	181737-000	181737-000	181737-000
21	Outer Door	180522-000	180522-000	180522-000
22	Inner Door	183491-000	183491-000	183491-000
23	Tube, Inlet - Diffuser	184223-041	184223-041	N/A
23	Tube, Inlet - Dynaclean	N/A	N/A	183901-036
24	Spacer - Inlet - Tube	184011-000	184011-000	184011-000
25	Valve, Drain - Brass	026273-004	026273-004	026273-004
26	Collar, Pipe	020172-021	020172-021	020172-021
27	Valve - T&P	043151-004	043151-004	043151-004
28	Wire Harness w/Clips	183090-001	183090-001	183090-001
29	Harness, Wiring	183510-001	183510-001	183510-001
30	Clips, Wiring	183547-000	183547-000	183547-000
LABELS				
31	Scald Warning/Flammable Vapors	183301-000	183301-000	183301-000
32	Lighting & Operating	183764-000	183764-000	183764-000
33	*Instruction Manual	185030-000	185030-000	185030-000
34	Insulation-T&P Valve	183256-000	183256-000	183256-000
35	Insulation-Pipe 24"	181639-003	181639-003	181639-003
36	Venting Kit	183421-001	183421-001	183421-001
37	Terminal, Vent 2"	183006-000	183006-000	183006-000
38	Terminal, Vent 3"	192815-000	192815-000	192815-000
39	Terminal, Vent 4"	196102-000	196102-000	196102-000
40	Rubber Coupling w/Clamps	182933-000	182933-000	182933-000
41	Plate, Wall 2"	182787-000	182787-000	182787-000
42	Plate, Wall 3"	181557-000	181557-000	181557-000
43	*Nipple, Heattrap 2"	184633-000	184633-000	184633-000
44	Anode Outlet-Magnesium (.840" dia.)	N/A	184977-016	184977-016

NOTE: Underlined parts are recommended stock items for emergency replacement.

Consider gas used in your area only.

* Not illustrated.