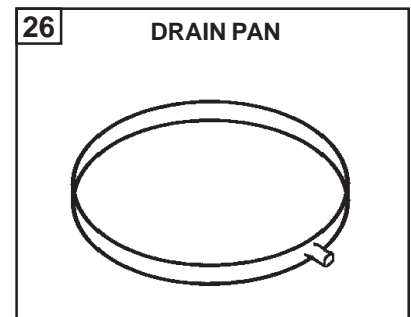
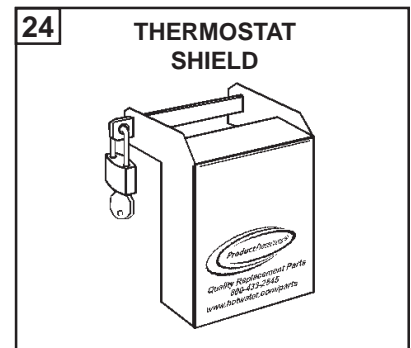
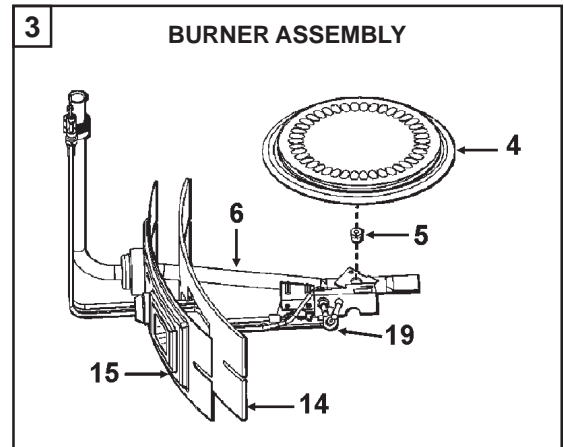
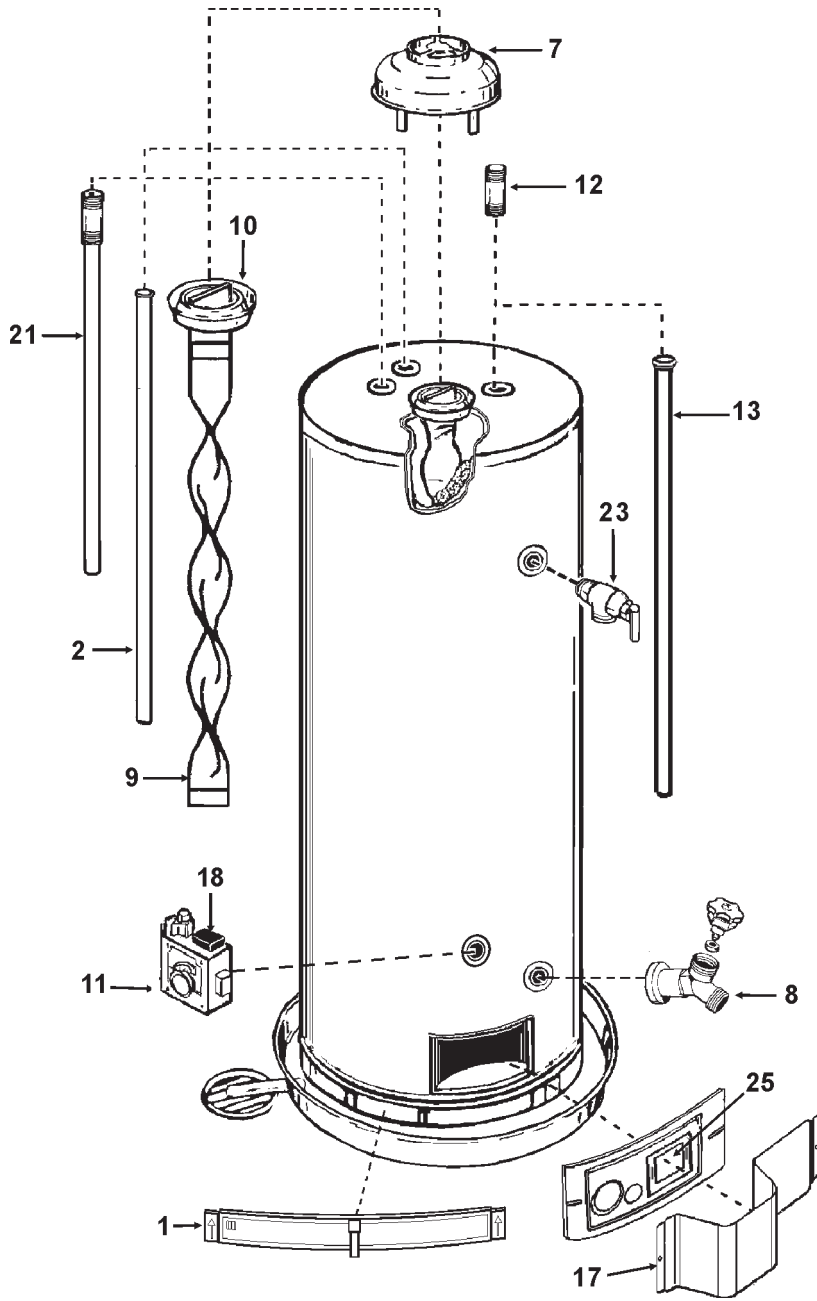


RESIDENTIAL WATER HEATER PARTS LIST
MODELS XGV-40/40Q/40L, 50/50Q/50L
XGVL-40/40Q/40L
CONSERVATIONIST
100/101 SERIES



A.O. Smith Water Heater Parts Fulfillment
125 Southeast Parkway
Franklin, TN 37068
1-800-433-2545
www.hotwater.com

| Item | Description | XGV/XGVL-40/40Q/40L | XGV-50/50Q/50L |
|------|--|---------------------|----------------|
| 1 | Air Intake Screen | 183159-000 | 183159-000 |
| 2 | Anode Rod - XGV Only | 183523-033 | 183523-042 |
| 2 | Anode Rod - XGVL Only | 183523-036 | 183523-042 |
| 3 | Burner Assembly - Natural Gas - XGV Only | 183222-040 | 183222-042 |
| 3 | Burner Assembly - Propane Gas - XGV Only | 183222-041 | 183222-043 |
| 3 | Burner Assembly - Natural Gas - XGVL Only | 183222-044 | ----- |
| 3 | Burner Assembly - Propane Gas - XGVL Only | 183222-045 | ----- |
| 4 | Burner Head with Door Insulation - Natural Gas | 183504-000 | 183504-000 |
| 4 | Burner Head with Door Insulation - Propane Gas | 183504-000 | 183504-000 |
| 5 | Burner Orifice with Door Insulation - Natural Gas | 181508-033 | 181508-033 |
| 5 | Burner Orifice with Door Insulation - Propane Gas | 181791-052 | 181791-052 |
| 6 | Burner Tube with Rubber Boot & Door Insulation - Natural Gas - XGV Only | 184104-000 | 184104-001 |
| 6 | Burner Tube with Rubber Boot & Door Insulation - Propane Gas - XGV Only | 184105-000 | 184105-001 |
| 6 | Burner Tube with Rubber Boot & Door Insulation - Natural Gas - XGVL Only | 184104-001 | ----- |
| 6 | Burner Tube with Rubber Boot & Door Insulation - Propane Gas - XGVL Only | 184105-001 | ----- |
| 7 | Draft Hood | 184003-000 | 184003-000 |
| 8 | Drain Valve - Brass | 026273-007 | 026273-007 |
| 9 | Flue Baffle Assembly - XGV Only | 184015-013 | 184015-014 |
| 9 | Flue Baffle Assembly - XGVL Only | 184370-000 | ----- |
| 10 | Flue Restrictor - XGV Only | 035405-000 | 184240-000 |
| 10 | Flue Restrictor - XGVL Only | 010200560 | ----- |
| 11 | Gas Control Valve - Natural Gas | 182791-005 | 182791-005 |
| 11 | Gas Control Valve - Propane Gas | 182792-001 | 182792-001 |
| 12 | Heat Trap Assembly | 184792-003 | 184792-003 |
| 13 | Inlet Tube Assembly | 183901-045 | 183901-045 |
| 14 | Inner Door Gasket | 183162-000 | 183162-000 |
| 15 | Inner Door with Door Insulation - XGV Only | 183425-001 | 183425-000 |
| 15 | Inner Door with Door Insulation - XGVL Only | 183425-000 | ----- |
| 16* | Instruction Manual | 184165-003 | 184165-003 |
| 17 | Outer Door | 183787-001 | 183787-001 |
| 18 | Piezo Igniter Assembly | 183798-000 | 183798-000 |
| 19 | Pilot Assembly with Grommet & Door Insulation - XGV Only - Natural Gas | 183824-160 | 183824-160 |
| 19 | Pilot Assembly with Grommet & Door Insulation - XGVL Only - Natural Gas | 183824-150 | ----- |
| 19 | Pilot Assembly with Grommet & Door Insulation - XGV/XGVL - Propane Gas | 183824-202 | 183824-202 |
| 20* | Pipe Insulation | 181639-003 | 181639-003 |
| 21 | Secondary Anode with Heat Trap (optional) - XGV Only | 184634-114 | 184634-114 |
| 22* | Temperature-Pressure Relief Valve Insulation | 183256-000 | 183256-000 |
| 23 | Temperature-Pressure Relief Valve | 043151-000 | 043151-000 |
| 24 | Thermostat Shield (Optional) | 191259-001 | 191259-001 |
| 25 | Viewport Assembly | 184470-000 | 184470-000 |
| 26 | 20" Dia. Aluminum Drain Pan w/Side Drain (Optional) | 23912-A | 23912-A |
| 26 | 22" Dia. Aluminum Drain Pan w/Side Drain (Optional) | 23913-A | 23913-A |
| 26 | 28" Dia. Aluminum Drain Pan w/Side Drain (Optional) | 23914-A | 23914-A |

* Not illustrated.



A.O. Smith Water Heater Parts Fulfillment
125 Southeast Parkway
Franklin, TN 37068
1-800-433-2545
www.hotwater.com