

A.O. SMITH

WATER PRODUCTS COMPANY

ProMax

GAS

RESIDENTIAL WATER HEATER PARTS LIST

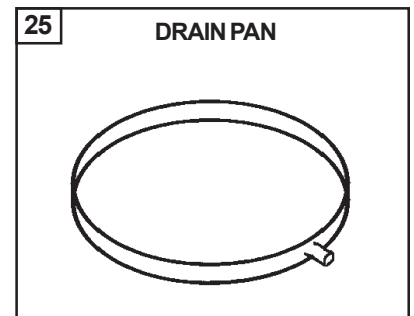
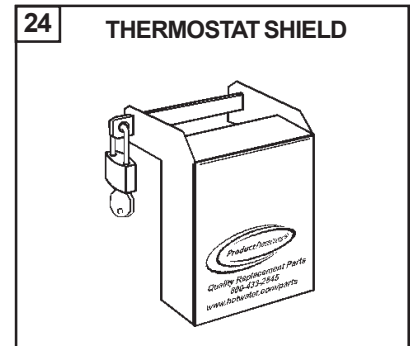
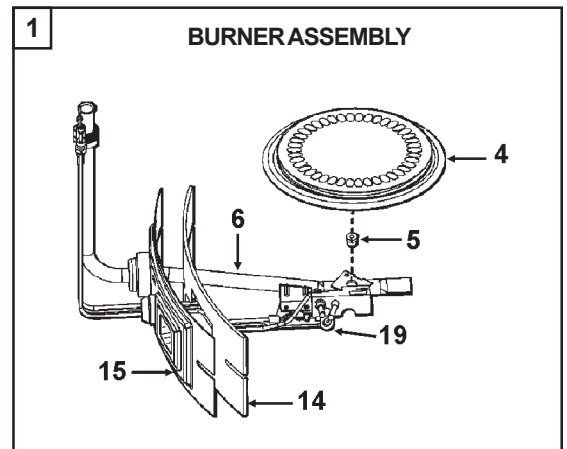
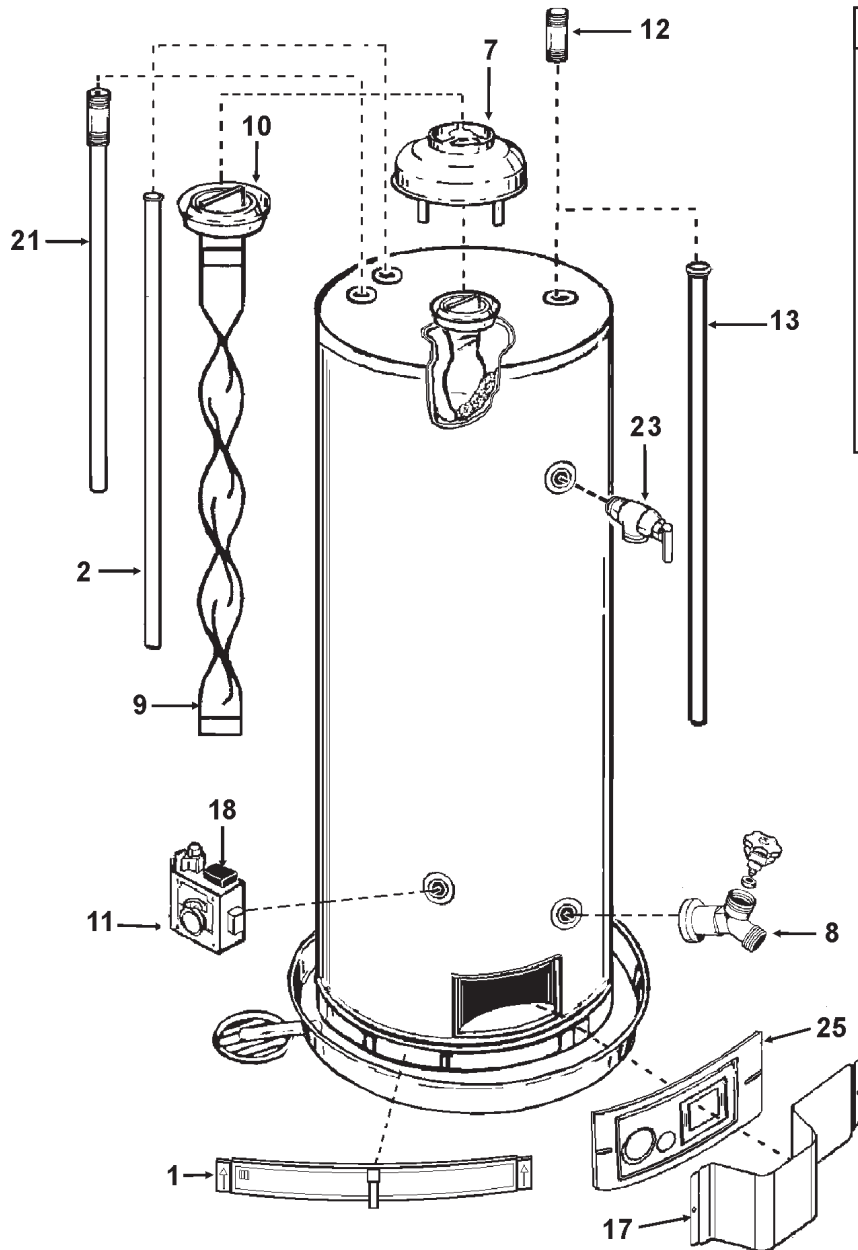
MODELS:

GCV / XCV - 30, 40, 50

GCVH / XCVH - 30, 40

GCVL / XCVL - 30, 40, 50

PROMAX



A.O. SMITH WATER PRODUCTS COMPANY

5621 W. 115TH STREET • ALSIP, ILLINOIS 60803

Phone: 1-800-433-2545 • Fax: 1-800-433-2515

www.hotwater.com • e-mail: parts@hotwater.com

Item	Description	GCV/XCV	GCV/XCV	GCV/XCV
		GCVH/XCVH	GCVH/XCVH	GCVH/XCVH
		GCVL/XCVL	GCVL/XCVL	GCVL/XCVL
		30	40	50
1	Air Intake Screen	183159-000	183159-000	183159-000
2	Anode Rod - GCV/GCVH Only	183523-023	183523-026	183523-029
2	Anode Rod - GCVL Only	183523-019	183523-023	183523-026
2	Anode Rod - XCV/XCVH Only	183523-029	183523-033	183523-036
2	Anode Rod -XCVL Only	183523-026	183523-029	183523-033
3	Burner Assembly - Natural Gas - GCV/XCV Only	183222-024	183222-026	183222-000
3	Burner Assembly - Propane Gas	183222-025	183222-027	183222-001
3	Burner Assembly - Natural Gas - GCVH/XCVH Only	183222-014	183222-018	-----
3	Burner Assembly - Natural Gas - GCVL/XCVL Only	183222-010	183222-012	183222-096
3	Burner Assembly - Propane Gas - GCVH/XCVH Only	183222-015	183222-019	-----
3	Burner Assembly - Propane Gas- GCVL/XCVL Only	183222-011	183222-013	183222-097
4	Burner Head with Door Insulation - Natural Gas	183504-000	183504-000	183504-000
4	Burner Head with Door Insulation - Propane Gas	182730-000	182730-000	182730-000
4	Burner Head with Door Insulation - Propane Gas - GCVL/XCVL Only	183325-000	183325-000	182730-000
5	Burner Orifice with Door Insulation - Natural Gas	181508-033	181508-033	181508-033
5	Burner Orifice with Door Insulation - Propane Gas	181791-051	181791-051	181791-050
5	Burner Orifice with Door Insulation - Propane Gas - GCVL/XCVL Only	181791-050	181791-051	181791-052
6	Burner Tube w/Rubber Boot & Door Insu. - Nat. Gas	183163-000	184823-000	184823-001
6	Burner Tube w/Rubber Boot & Door Insul. - Prop. Gas	183450-000	184825-000	184825-001
6	Burner Tube w/Rubber Boot & Door Insul. - Nat. Gas - GCVL/XCVL Only	183163-001	183163-003	183163-008
6	Burner Tube w/Rubber Boot & Door Insul. - Prop. Gas - GCVL/XCVL Only	183450-001	183450-003	183450-008
7	Draft Hood	183852-000	183852-000	183852-000
8	Drain Valve - Brass	026273-003	026273-003	026273-003
7	Drain Valve - Brass - Natural Gas - GCVL/XGVL Only	026273-003	026273-003	026273-007
7	Drain Valve - Brass - Propane Gas - GCVL/XGVL Only	026273-003	026273-003	026273-007
9	Flue Baffle Assembly	180666-000	039331-053	180666-000
9	Flue Baffle Assembly -GCVL/XGVL Only	183618-000	183618-000	184731-000
9	Flue Baffle Assembly - GCVH/XCVH Only	180666-000	180666-000	-----
10	Flue Restrictor	034894-000	034894-000	034894-000
11	Gas Control Valve - Natural Gas	182791-004	182791-004	182791-004
11	Gas Control Valve - Propane Gas	182792-000	182792-000	182792-000
11	Gas Control Valve - Natural Gas - GCVL/XCVL Only	182791-004	182791-004	182791-005
11	Gas Control Valve - Propane Gas - GCVL/XCVL Only	182792-000	182792-000	182792-005
12	Heat Trap Assembly	184792-003	184792-003	184792-003
13	Inlet Tube Assembly	183776-033	183776-040	183776-036
13	Inlet Tube Assembly - GCVL/XCVL Only	183776-026	183776-024	183776-028
13	Inlet Tube Assembly - GCVH/XCVH Only	183776-033	183776-033	-----
14	Inner Door Gasket	183162-000	183162-000	183162-000
15	Inner Door with Door Insulation	183425-002	183425-001	183425-000
15	Inner Door with Door Insulation -GCVL/XCVL Only	183425-001	183425-000	183425-000
15	Inner Door with Door Insulation - GCVH/XCVH Only	183425-002	183425-001	-----
16*	Instruction Manual	184165-002	184165-002	184165-002
17	Outer Door	183458-000	183458-000	183458-000
18	Piezo Igniter Assembly	183798-000	183798-000	183798-000
19	Pilot Assembly w/Grommet & Door Insul. - Natural Gas	183824-190	183824-190	183824-190
19	Pilot Assembly w/Grommet & Door Insul. - Propane Gas	183824-182	183824-172	183824-162
19	Pilot Assembly w/Grommet & Door Insul. - GCVL/XCVL Only - Natural Gas	183824-180	183824-190	183824-160
19	Pilot Assembly w/Grommet & Door Insul. - GCVL/XCVL Only- Propane Gas	183824-202	183824-182	183824-142
19	Pilot Assembly w/Grommet & Door Insul. - GCVH/XCVH Only - Natural Gas	183824-190	183824-180	-----
19	Pilot Assembly w/Grommet & Door Insul. - GCVH/XCVH Only- Propane Gas	183824-192	183824-162	-----
20*	Pipe Insulation	181639-003	181639-003	181639-003
21	Secondary Anode with Heat Trap (optional)	184634-114	184634-114	184634-114
21	Secondary Anode with Heat Trap (optional) -GCV/GCVH Only	184634-133	184634-136	184634-142
21	Secondary Anode with Heat Trap (optional) - GCVL Only	184634-129	184634-133	184634-133
22*	Temperature-Pressure Relief Valve Insulation	183256-000	183256-000	183256-000
23	Temperature-Pressure Relief Valve	076527-000	076527-000	076527-000
23	Temperature-Pressure Relief Valve - GCVL/XCVL Only	076527-000	076527-000	043151-000
24	Thermostat Shield (Optional)	191259-001	191259-001	191259-001
25	Viewport Assembly	184470-000	184470-000	184470-000
26	20" Dia. Aluminum Drain Pan w/Side Drain (optional)	23912-A	23912-A	23912-A
26	22" Dia. Aluminum Drain Pan w/Side Drain (optional)	23913-A	23913-A	23913-A
26	28" Dia. Aluminum Drain Pan w/Side Drain (optional)	23914-A	23914-A	23914-A

* Not illustrated.

A. O. SMITH
WATER PRODUCTS
COMPANY

5621 W. 115TH STREET • ALSIP, ILLINOIS 60803
Phone: 1-800-433-2545 • Fax: 1-800-433-2515
Website: www.hotwater.com • e-mail: parts@hotwater.com