

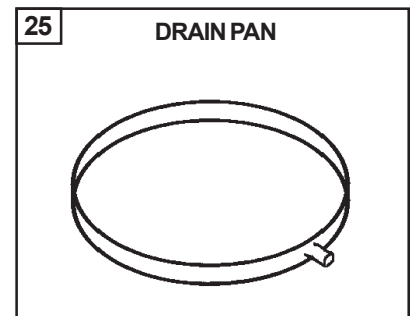
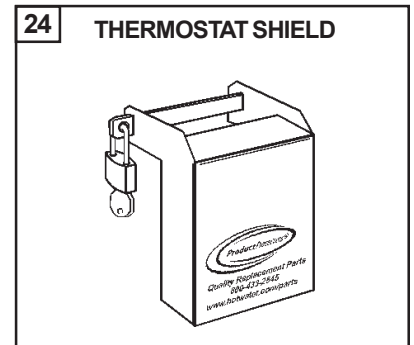
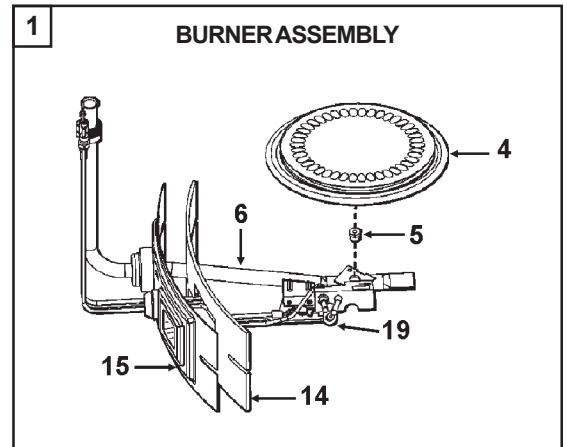
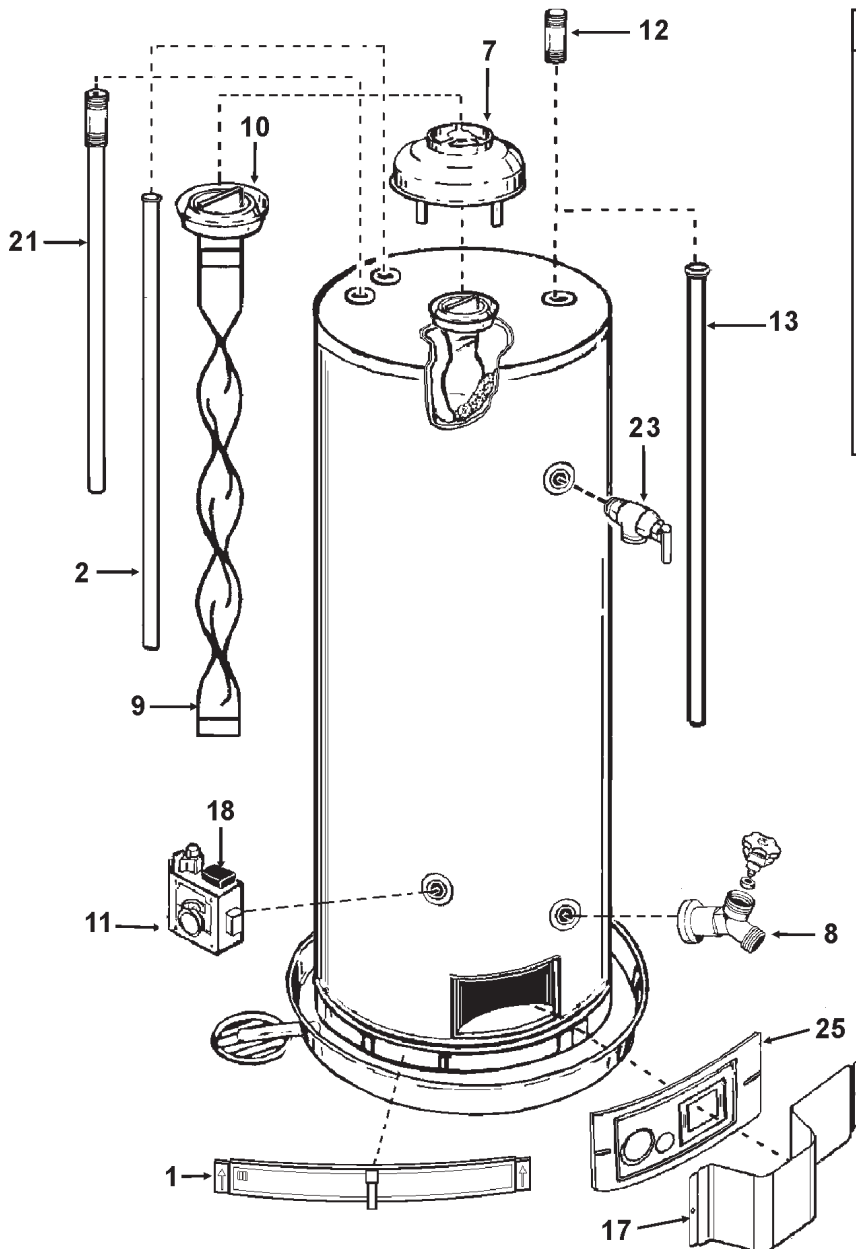
A.O. SMITH

WATER PRODUCTS COMPANY

ProMax

GAS

RESIDENTIAL WATER HEATER PARTS LIST
MODELS: GCVH / XCVH-40Q&L
GCVT / XCVT-40Q&L, 50Q&L
GCVX / XCVX-50Q&L
XGV-40L, 50L
PROMAX SL



A.O. SMITH WATER PRODUCTS COMPANY
5621 W. 115TH STREET • ALSIP, ILLINOIS 60803
Phone: 1-800-433-2545 • Fax: 1-800-433-2515
www.hotwater.com • e-mail: parts@hotwater.com

Item	Description	GCVH XCVH 40L	GCVH XCVH 40Q
1	Air Intake Screen	183159-000	183159-000
2	Anode Rod - GCVH, GCVT, GCVX Only	183523-026	183523-026
2	Anode Rod - XCVH, XCVT, XCVX, XGV Only	183523-033	183523-033
3	Burner Assembly - Natural Gas	183222-018	183222-018
3	Burner Assembly - Propane Gas	183222-019	183222-019
4	Burner Head with Door Insulation - Natural Gas	183504-000	183504-000
4	Burner Head with Door Insulation - Propane Gas	182730-000	182730-000
5	Burner Orifice with Door Insulation - Natural Gas	181508-033	181508-033
5	Burner Orifice with Door Insulation - Propane Gas	181791-050	181791-050
6	Burner Tube with Rubber Boot, Door Insul. - Natural Gas	184823-000	184823-000
6	Burner Tube with Rubber Boot, Door Insul. - Propane Gas	184825-000	184825-000
7	Draft Hood	183852-000	183852-000
8	Drain Valve - Brass	026273-003	026273-003
9	Flue Baffle Assembly	180666-000	180666-000
10	Flue Restrictor	034894-000	034894-000
11	Gas Control Valve - Natural Gas	182791-004	182791-004
11	Gas Control Valve - Propane Gas	182792-000	182792-000
12	Heat Trap Assembly	184792-003	184792-003
13	Inlet Tube Assembly	183776-033	183776-033
14	Inner Door Gasket	183162-000	183162-000
15	Inner Door with Door Insulation	183425-001	183425-001
16*	Instruction Manual	184165-002	184165-002
17	Outer Door	183458-000	183458-000
18	Piezo Igniter Assembly	183798-000	183798-000
19	Pilot Assembly with Grommet & Door Insul. - Natural Gas	183824-180	183824-180
19	Pilot Assembly with Grommet & Door Insul. - Propane Gas	183824-162	183824-162
20*	Pipe Insulation	181639-003	181639-003
21	Secondary Anode with Heat Trap - GCVH, GCVT, GCVX Only (optional)	184634-136	184634-136
21	Secondary Anode with Heat Trap - XCVH, XCVT, XCVX, XGV Only (optional)	184634-114	184634-114
22*	Temperature-Pressure Relief Valve Insulation	183256-000	183256-000
23	Temperature-Pressure Relief Valve	076527-000	076527-000
24	Thermostat Shield (optional)	191259-001	191259-001
25	Viewport Assembly	184470-000	184470-000
26	20" Dia. Aluminum Drain Pan with Side Drain (optional)	23912-A	23912-A
26	22" Dia. Aluminum Drain Pan with Side Drain (optional)	23913-A	23913-A
26	28" Dia. Aluminum Drain Pan with Side Drain (optional)	23914-A	23914-A

*Not illustrated.

GCVT XCVT 40L & 40Q	GCVT XCVT 50L & 50Q	GCVX XCVX 50L	GCVX XCVX 50Q	XGV 40L	XGV 50L
.. 183159-000	183159-000	183159-000	183159-000	183159-000	183159-000
.. 183523-029	183523-033	183523-033	183523-033	-----	-----
.. 183523-036	183523-039	183523-042	183523-042	183523-033	183523-042
.. 183222-006	183222-008	183222-046	183222-046	183222-040	183222-042
.. 183222-007	183222-009	183222-047	183222-047	183222-041	183222-043
.. 183583-000	183583-000	183583-000	183583-000	183504-000	183504-000
.. 183220-000	183220-000	183220-000	183220-000	183504-000	183504-000
.. 181508-031	181508-031	181508-027	181508-027	181508-033	181508-033
.. 181791-046	181791-048	181791-044	181791-044	181791-052	181791-052
.. 183163-002	183163-003	184104-001	184104-001	184104-000	184104-001
.. 183450-002	183450-003	184105-001	184105-001	184105-000	184105-001
.. 183853-000	183853-000	183853-000	183853-000	184003-000	184003-000
.. 026273-007	026273-007	026273-007	026273-007	026273-007	026273-007
.. 183582-000	184015-009	184015-012	184015-012	184015-013	184015-014
.. 035405-000	184280-000	184280-000	184280-000	035405-000	184240-000
.. 182791-005	182791-004	182791-005	182791-005	182791-005	182791-005
.. 182792-001	182792-000	182792-001	182792-001	182792-001	182792-001
.. 184792-003	184792-003	184792-003	184792-003	184792-003	184792-003
.. 183776-026	183776-036	183776-036	183901-040	183901-044	183901-044
.. 183162-000	183162-000	183162-000	183162-000	183162-000	183162-000
.. 183425-001	183425-000	183425-000	183425-000	183425-001	183425-000
.. 184165-002	184165-002	184165-002	184165-002	184165-002	184165-002
.. 183458-000	183458-000	183458-000	183458-000	183787-001	183787-001
.. 183798-000	183798-000	183798-000	183798-000	183798-000	183798-000
.. 183824-190	183824-200	183824-200	183824-200	183824-160	183824-160
.. 183824-192	183824-202	183824-182	183824-182	183824-202	183824-202
.. 181639-003	181639-003	181639-003	181639-003	181639-003	181639-003
.. 184634-142	184634-142	184634-142	184634-142	-----	-----
.. 184634-114	184634-114	184634-114	184634-114	184634-114	184634-114
.. 183256-000	183256-000	183256-000	183256-000	183256-000	183256-000
.. 043151-000	043151-000	043151-000	043151-000	043151-000	043151-000
.. 181259-001	181259-001	181259-001	181259-001	181259-001	181259-001
.. 184470-000	184470-000	184470-000	184470-000	184470-000	184470-000
.... 23912-A	23912-A	23912-A	23912-A	23912-A	23912-A
.... 23913-A	23913-A	23913-A	23913-A	23913-A	23913-A
.... 23914-A	239124A	23914-A	23914-A	23914-A	23914-A

A.O. SMITH
WATER PRODUCTS
COMPANY

5621 W. 115TH STREET • ALSIP, ILLINOIS 60803
Phone: 1-800-433-2545 • Fax: 1-800-433-2515
Website: www.hotwater.com • e-mail: parts@hotwater.com