



**COMMERCIAL GAS REPLACEMENT PARTS LIST**

A.O. Smith Water Heater Parts Fulfillment  
 125 Southeast Parkway • Franklin, TN 37068  
 www.hotwater.com • 1-800-433-2545

**MODELS:**  
**BTX 100**  
**BTXL 100**  
**Series:**  
**300/301**

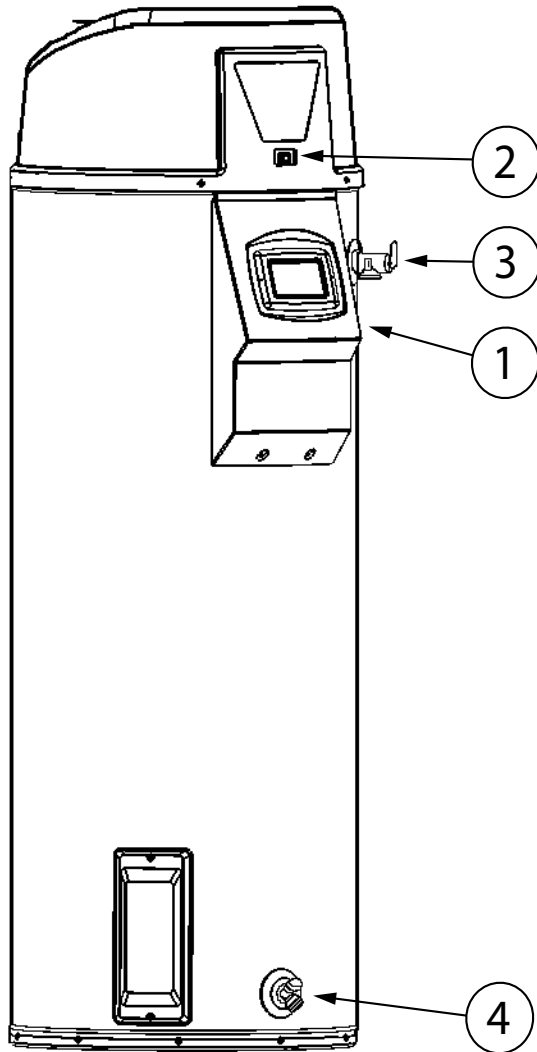


Figure 1. 50 Gallon

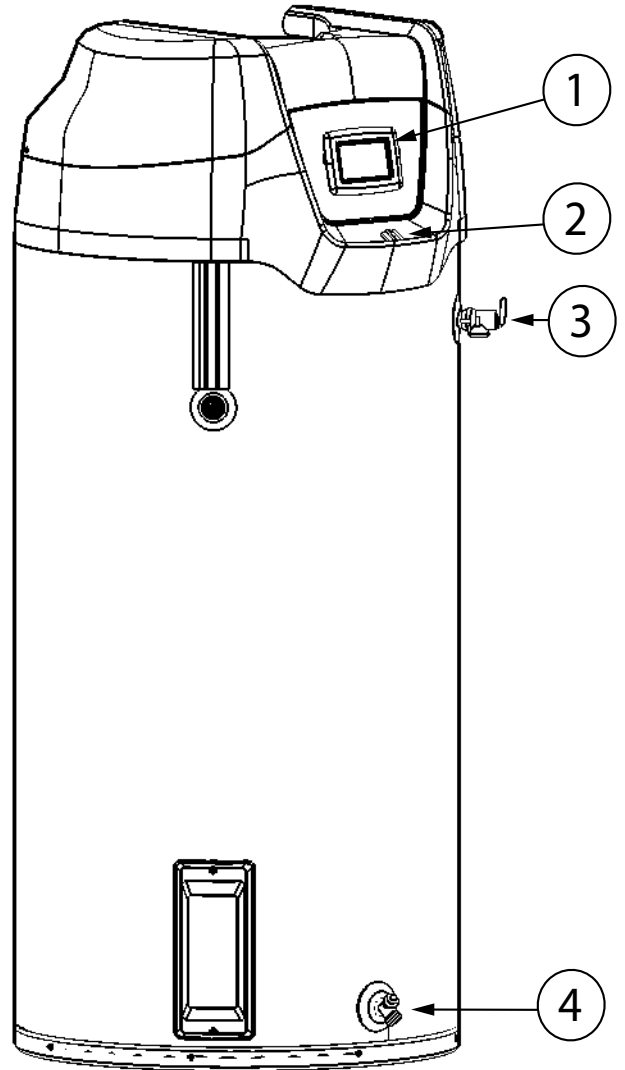


Figure 2. 75 Gallon

Item	Description	50 gallon	75 gallon
1	User Interface Module (UIM)	100271881	
2	Enable/Disable Switch	100096025	
3	T&P Valve	100108455	100108779
4	Drain Valve	100263911	100263912

A. O. Smith Water Heater Parts Fulfillment • 1-800-433-2545 • www.hotwater.com

Table 1. Top Cover Control Assembly			
Item	Description	50 Gallon	75 Gallon
1	Spark Ignition Transformer	100271921	
2	Blocked Exhaust Switch	100113142	
3	Blocked Intake Air Switch	100113143	
4*	Temperature Probe (Includes Wiring Harness)	100301929	
5*	Anode - Alum	100109594	
5A*	Anode - Mag.	100108660	
6*	Inlet Tube	100111183	100113145
7*	Inlet Nipple	100109621	-
8*	Anode - Outlet Alum.	100111515	-
8A*	Anode - Outlet Mag.	100210066	-
8B	Outlet Nipple	-	100109450
9	Power Supply Assembly	100113155	
10	CCB Board - Programmed	100187861	
11	Transformer	100113157	

\* Not Shown.

Standard hardware items may be purchased locally.

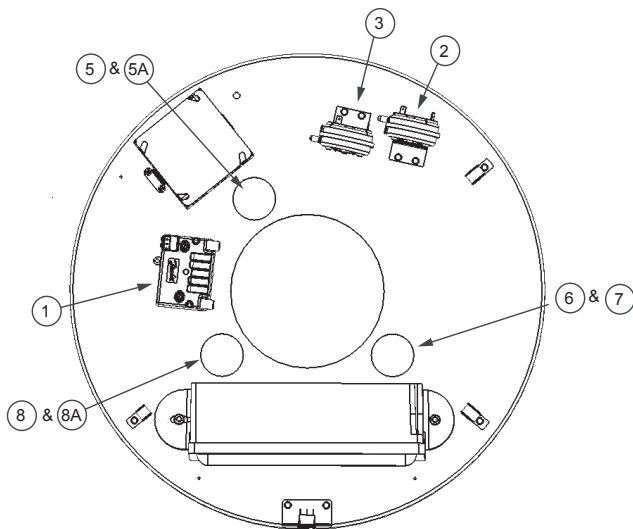


Figure 3. 50-Gallon (top view)

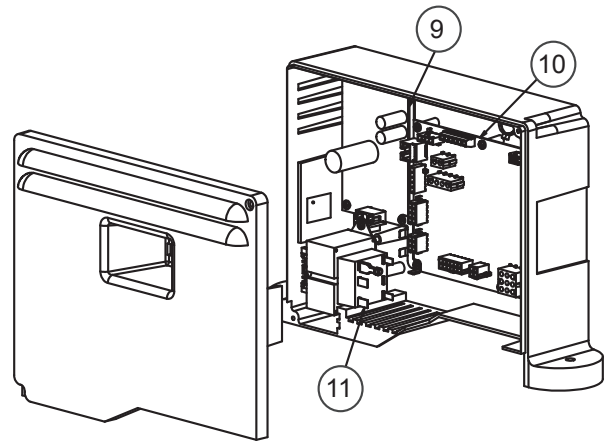


Figure 5. Central Control Board (CCB)

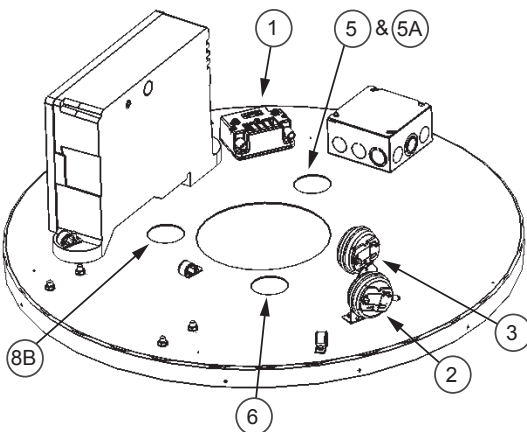


Figure 4. 75 Gallon (top view)

Table 2. Blower/Burner Assembly			
Item	Description	300 Series	301 Series
1	Blower	100271839	
2	Socket Button Head Cap Screw (#10-32 x 5/8" Full Thread)	-	
3	Gas Valve/Venturi Assembly	100113148	100113149
4	Blower Gasket	100111745	
5	Flame Sense Wire	100113153	
6	Burner Adapter Gasket	100111744	
7	Observation Window	100110901	
8	Socket Head Cap Screw (5/16-18 x 5/8")	-	
9	Machine Screw (#6-32 x 0.25" Pan Head)	-	
10	Flame Sensor Rod	100113151	
11	Burner Gasket	100112011	
12	Burner Assembly	100113147	
13	Igniter (includes igniter wire)	100301928	

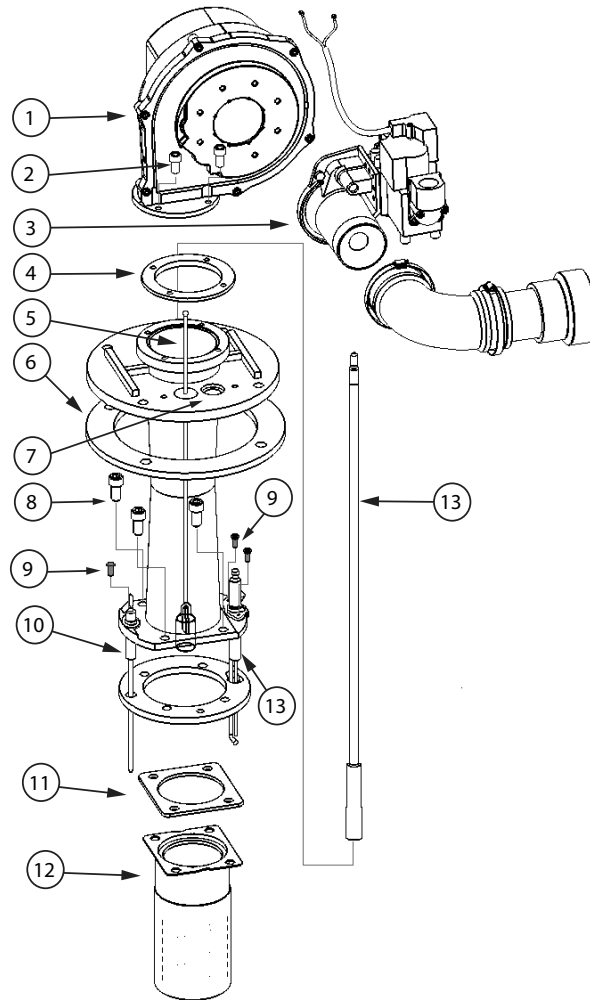
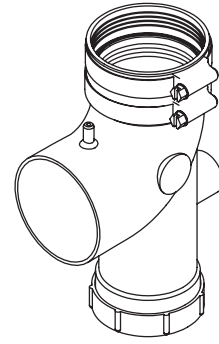
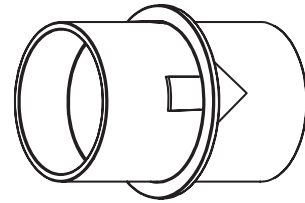


Figure 6. Burner/Blower Assembly

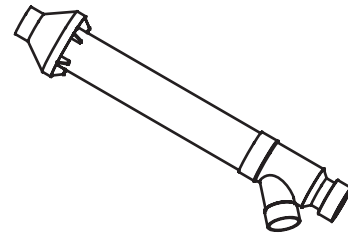
Metal Exhaust Elbow Assembly..... 100187912



Backflow Preventer Kit .....100112508



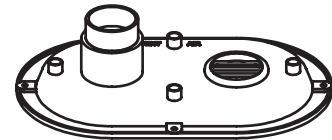
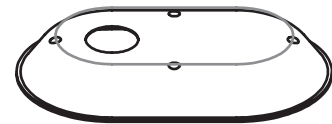
3" Concentric Vent ..... 100111100



**Low Profile Vent**

2" ..... 100187903

3" ..... 100187887



A.O. Smith Water Heater Parts Fulfillment  
125 Southeast Parkway  
Franklin, TN 37068  
1-800-433-2545  
[www.hotwater.com](http://www.hotwater.com)

Copyright © 2018. A. O. Smith Corporation. All rights reserved.