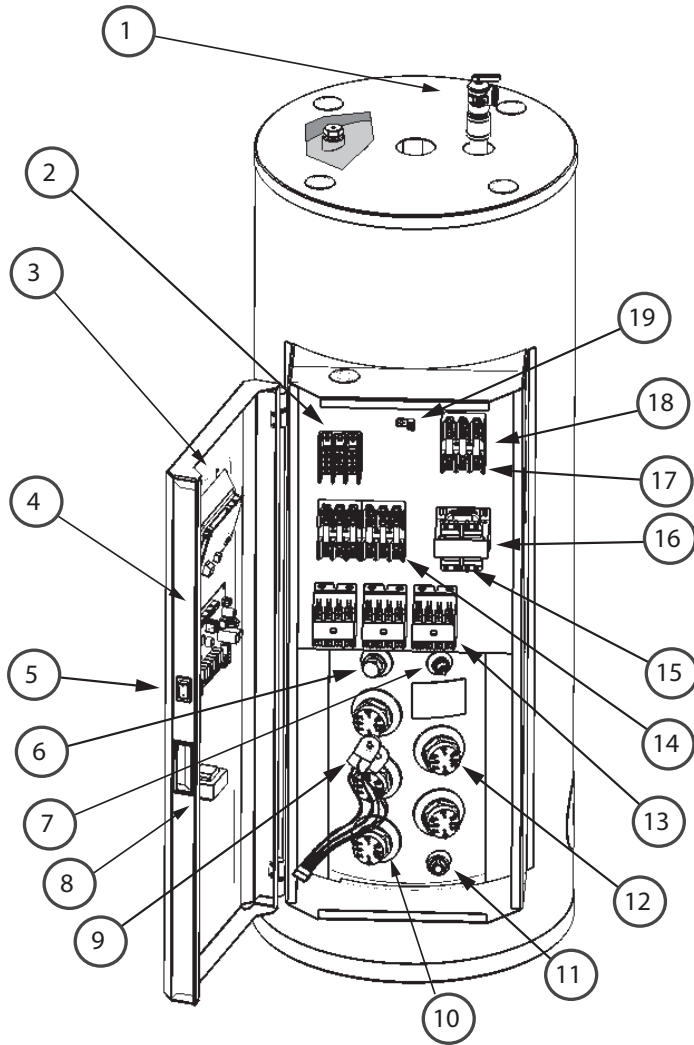
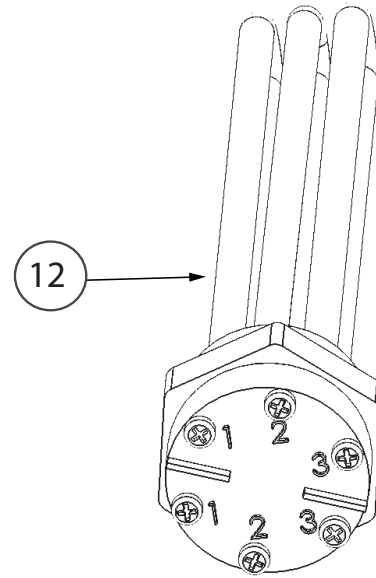


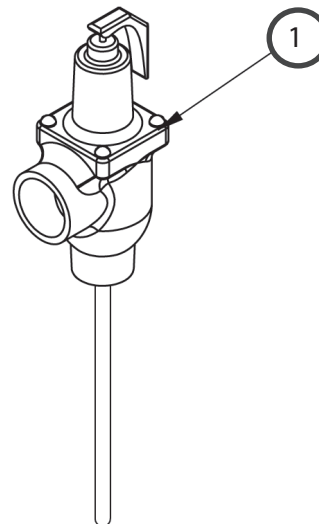
**MODELS:  
5-120 Gallon**



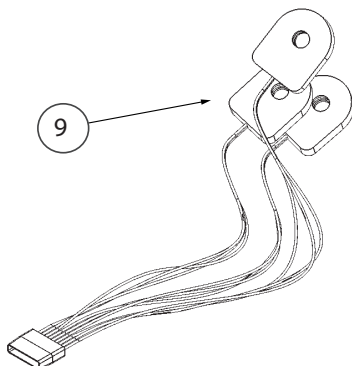
**SCREW-IN ELEMENT**



**3/4" T & P RELIEF VALVE  
AUTOMATIC, SELF-CLOSING TYPES**



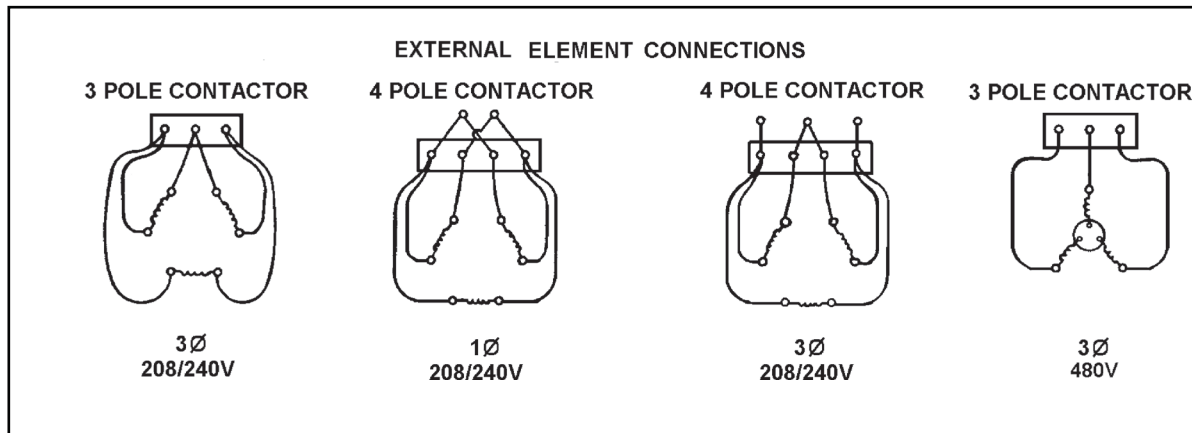
**ELEMENT SENSOR ARRAY**



**Table 1. Element Chart and Connections Parts List**

Wattage	Length	Single Phase				Three Phase				
		208V	240V	277V	480V	208V	240V	480V	575V	600V
3	9"	100299117	100299125	100299141	100299134	100299117	100299125	100299141	100299150	100299156
5	9"	100299118	100299126	100299142	100299135	100299118	100299126	100299142	----	----
6	11.5"	100299119	100299127	100299143	100299136	100299119	100299127	100299143	100299151	100299157
7.5	15"	100299120	100299128	100299144	----	100299120	100299128	100299144	----	----
9	15"	100299131	100299130	100299145	100299137	100299131	100299130	100299145	100299152	100299158
10	15"	----	100299129	100299146	----	----	100299129	100299146	----	----
12	15"	100299122	100299131	100299147	100299138	100299122	100299131	100299147	100299153	100299159
15	15"	100299123	100299132	100299148	100299139	100299123	100299132	100299148	100299154	100299160
18	15"	100299124	100299133	100299149	100299140	100299124	100299133	100299149	100299155	100299162

Consult factory for other voltages.



**Table 2. Control Circuit Fusing**

Voltage	120	208	220	240	277	380	415	480	575	600
Fuse Type	FNM	FNQ-R	FNQ-R	FNQ-R	FNQ-R	FNQ-R	FNQ-R	FNQ-R	FNQ-R	FNQ-R
VA	Secondary		Primary							
50	<b>0.6</b> (100299163)	<b>1.25</b> (100299168)	N/A	N/A	<b>0.8</b> (100299167)	<b>0.6</b> (100299166)	N/A	N/A	<b>0.4</b> (100299165)	<b>0.4</b> (100299165)
75	<b>1</b> (100111740)	<b>1.5</b> (100299169)	<b>1.5</b> (100299169)	<b>1.5</b> (100299169)	<b>1.25</b> (100299168)	<b>0.8</b> (100299167)	<b>0.8</b> (100299167)	<b>0.6</b> (100299166)	<b>0.6</b> (100299166)	<b>0.6</b> (100299166)
100	<b>1.25</b> (100299164)	<b>2</b> (100299170)	<b>2</b> (100299170)	<b>2</b> (100299170)	<b>1.5</b> (100299169)	<b>1.25</b> (100299168)	<b>1.25</b> (100299168)	<b>0.8</b> (100299167)	<b>0.8</b> (100299167)	<b>0.8</b> (100299167)

Fuse amp rating is shown in **bold**.  
Factory part numbers are shown in ().

**Table 3. Water Heater Parts List**

Item Number	Part Number	Description
1	100110605	Relief Valve 3/4"
2	Refer to Parts Fulfillment Department	Power Distribution Block
3	100111017	User Interface Module
4	See PN on Board	Control Board
5	100109882	Power Switch
6	100111552	Temperature Probe
7	100110095	Iwco Probe
8	100111550	Secondary transformer 120v/24v 25VA
9	100111553	Element Current Sensor Assembly
10	100108668	Element Gasket
11	100210012	Electric Anode 22MM 20/100
12	Refer to Table 1	Element
13	100110094	Contactora 4 Pole 120V
14	100110093	*Contactora 3 Pole 120V
15	Refer to Parts Fulfillment Department	**Power Circuit Fusing
16	100299171	Secondary Fuse Block - Control Circuit
17	100299173	XFMR KIT 75VA 208/240/277V
17	100299174	XFMR KIT 75VA 480V
17	100299175	XFMR KIT 75VA 380/400/415V
17	100299176	XFMR KIT 50VA 220/575/600V
18	100299172	Primary Fuse Block - Control Circuit
19	100263911	3/4" Drain Valve

\*\* Power Circuit Fusing is required at or above 120 amp

**Table 4. Replacement Anode Parts List**

PART NUMBER	DESCRIPTION	5 GAL	10 GAL	20 GAL	30 GAL	40 GAL	50 GAL	65 GAL	80 GAL	100 GAL	120 GAL
100109223	K,ANODE,44",3/4"NPT,.84"DIA,MAGNESIUM	----	----	----	----	----	X	X	X	X	X
100108660	K,ANODE,32",3/4"NPT,.84"DIA,MAGNESIUM	----	----	----	X	X	----	----	----	----	----
100109434	K,ANODE,16",3/4"NPT,.84"DIA,MAGNESIUM	----	----	X	----	----	----	----	----	----	----
100108677	K,ANODE,9",3/4"NPT,.84"DIA,MAGNESIUM	X	X	----	----	----	----	----	----	----	----

Prior to calling the Parts Department, record your Item ID and Serial number in the space provided. These important identification numbers can be found on the barcode label, adjacent to the water heater rating plate. See sample barcode tag.

Item ID: \_\_\_\_\_

Serial Number: \_\_\_\_\_



09642518

**model #: 18 DIGIT MODEL NO.**

**item Id: XXXXXXXXXXXX**

**serial #: J07R000385**

**lot: 3 gas type: 0**

