

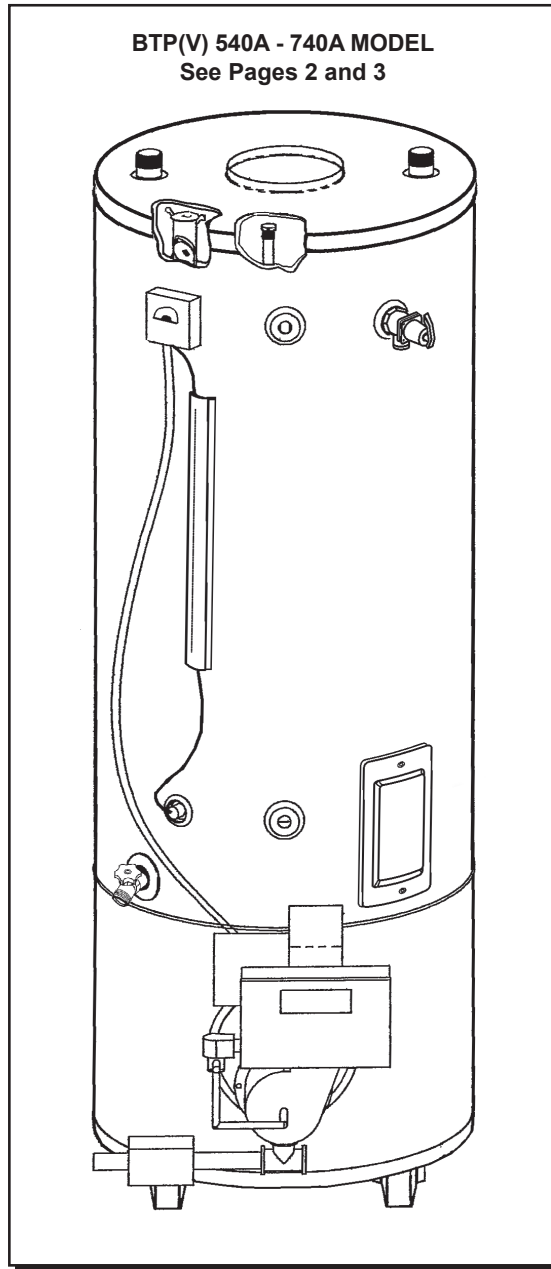


COMMERCIAL GAS SERVICE PARTS LIST

A.O. Smith Water Heater Parts Fulfillment
125 Southeast Parkway • Franklin, TN 37068
www.hotwater.com • 1-800-433-2545

**MODELS
BTP(V)-540A
THRU
BTP(V)-740A
Series:
104**

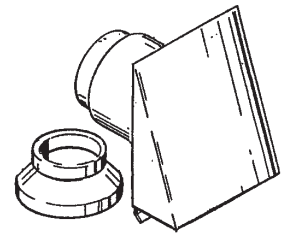
BTP(V) 540A - 740A MODEL
See Pages 2 and 3



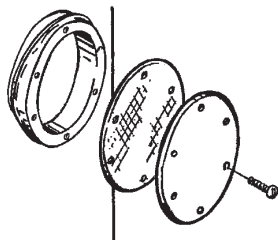
T&P RELIEF VALVE
See Page 2



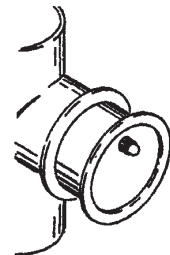
BTPV VENT KIT
See Page 2



CLEANOUT ASSEMBLY
See Page 2



**BTP BAROMETRIC
DRAFT CONTROL**
See Page 2



T & P RELIEF VALVE, VENT KIT, DRAFT CONTROL, CLEANOUT ASSEMBLY,

Item	Description	BTP-540A	BTP-650A	BTP-740A
1	Anode, Plug	100109594 (4).....	100109594 (4).....	100109594 (4)
2	Baffle, Flue	100111520 (24).....	100111520 (24).....	100111520 (24)
3	T & P Relief Valve	100110972	100110972	100110972
4	Thermostat W.E.C.O.	100109916	100109916	100109916
5	Valve, Drain	100263911	100263911	100263911
6	Burner Assembly	100111775.....	100111867.....	100111866
7	Cleanout Assembly (includes the following items)			
 Cleanout Cover.....	100110656	100110656	100110656
 Gasket	100109686	100109686	100109686
 Screw - Thread Rolling	100109688	100109688	100109688
8	Barometric Draft Control	100125540	100125540	100125540

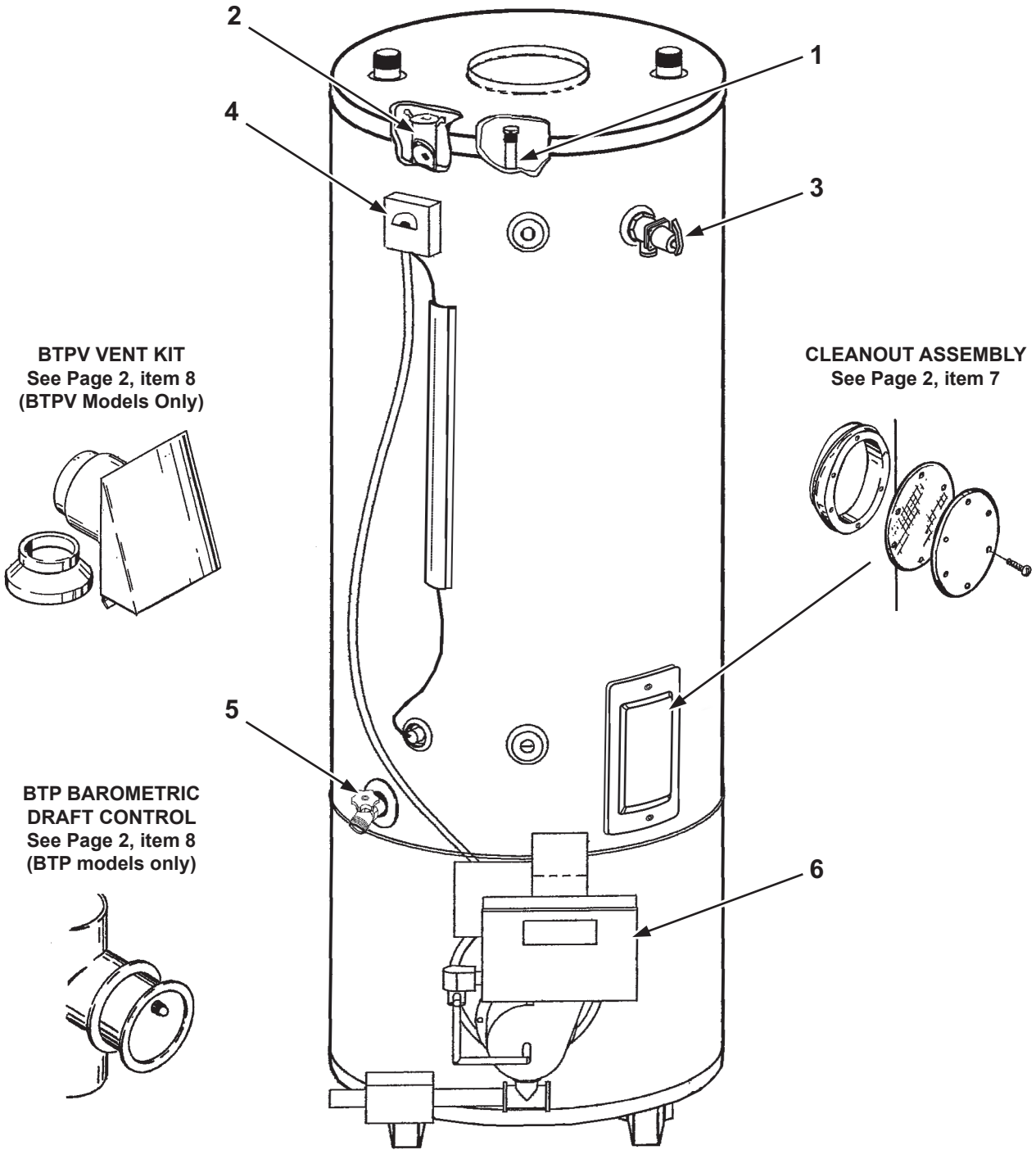
Item	Description	BTPV-540A	BTPV-650A	BTPV-740A
1	Anode, Plug	100109594 (4).....	100109594 (4).....	100109594 (4)
2	Baffle, Flue	100111520 (24).....	100111520 (24).....	100111520 (24)
3	Valve, Relief	100110972	100110972	100110972
4	Thermostat W.E.C.O.	100109916	100109916	100109916
5	Valve, Drain	100263911	100263911	100263911
6	Burner Assembly	100110350	100111889.....	100111888
7	Cleanout Assembly (includes the following items)			
 Cleanout Cover.....	100110656	100110656	100110656
 Gasket	100109686	100109686	100109686
 Screw - Thread Rolling	100109688	100109688	100109688
8	BTPV Vent Kit	100125500	100125500	100125500
	(includes the following items, 2 pieces of hood required for direct vent)			
 Hood, Vent - Side Wall.....	100049733	100049733	100049733
 Reducer - Flue	100050254	100050254	100050254

*Items not illustrated.

Quantities, if more than one, shown in parenthesis next to part number.

Part numbers underlined are recommended stock items for emergency replacement.

T & P RELIEF VALVE, VENT KIT, DRAFT CONTROL, CLEANOUT ASSEMBLY,
(Part numbers are listed on page 2)

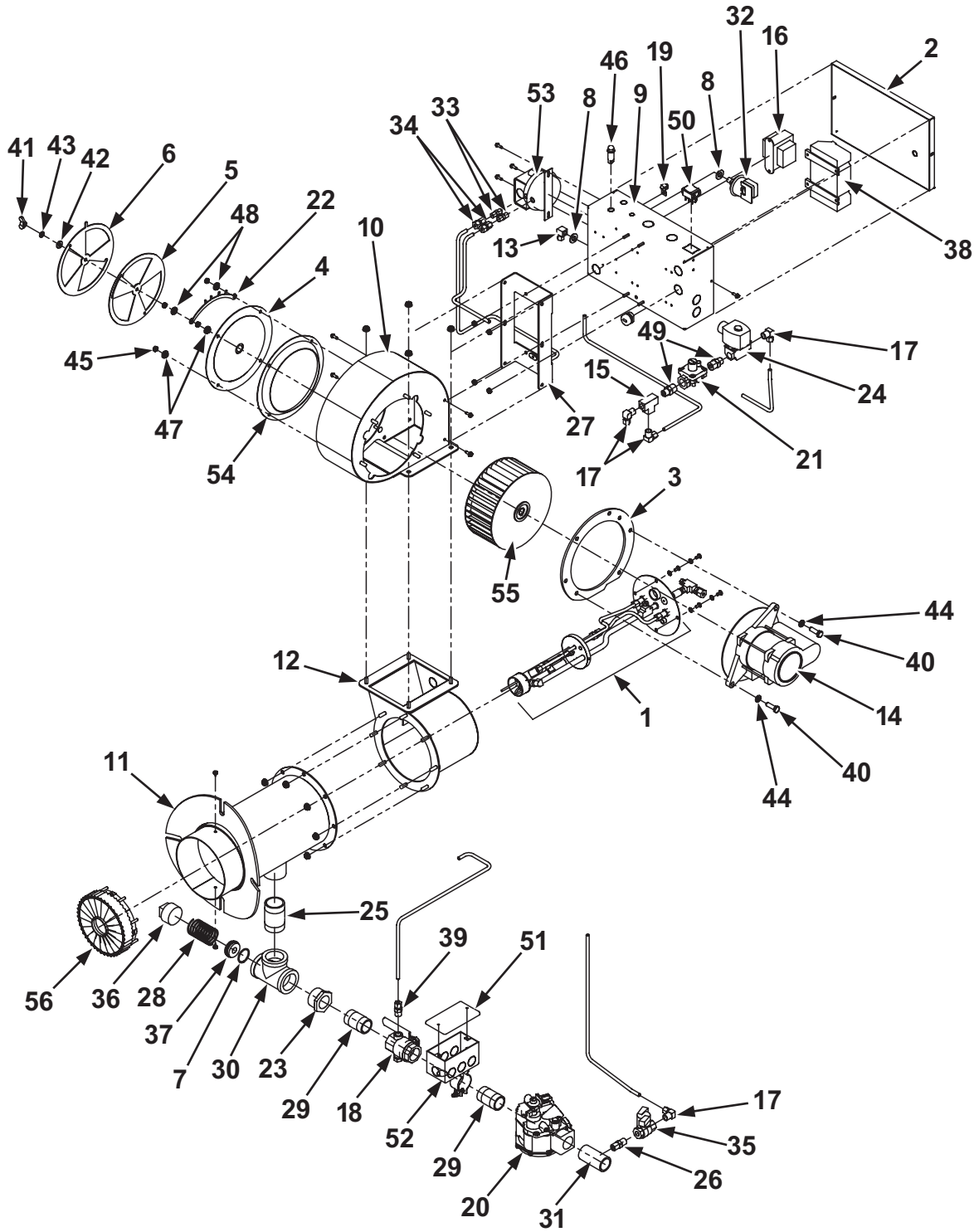


BTP BURNER ASSEMBLY

Item	Description	BTP-540A	BTP-650A	BTP-740A
1	A. O. Smith Premix Pilot Assembly	F20089	F20089.....	F20089
2	7x11-1/2 Panel Door	L10169	L10169.....	L10169
3	NP N Frame Motor Plate.....	K10411.....	K10411.....	K10411
4	X4 PIE Damper Inner Plate.....	L10201.....	L10201.....	L10201
5	X4 PIE Damper Middle Plate	L10202.....	L10202.....	L10202
6	X4 PIE Damper CGA Outer PIE Damper.....	L10204.....	L10204.....	L10204
7	O Ring Seal.....	534650.....	534650.....	534650
8	3/8 Flat Washer.....	X09650.....	X09650.....	X09650
9	7x11-1/2 Panel Box.....	K20309.....	K20309.....	K20309
10	Premix Air Housing.....	K20401.....	K20401.....	K20401
11	A. O. Smith 5.75" O.D. Premix Tube Assembly	K20104.....	K20104.....	K20104
12	A. O. Smith Premix 90° Adapter.....	K20000.....	K20000.....	K20000
13	1/4 X 1/8 Tube To FP 90°	832000.....	832000.....	832000
14	1/4 HP 3450RPM 115/1 Motor	050050.....	050050.....	050050
15	1/4 Brass Tee	X02626.....	X02626.....	X02626
16	AT140B-1206 40VA 129/24 Stepdown Transformer	332180.....	332180.....	332180
17	1/4 X 1/4 Tube to MP 90°	830100.....	830100.....	830100
18	1" 68 Long Handle Ball Valve with Tap.....	980240.....	980240.....	980240
19	SLU-35 ILSCO Grounding Lug	610400.....	610400.....	610400
20	70000DERHC Robertshaw Gas Valve.....	285100.....	285100.....	285100
21	RV20 3/8" Maxitrol Regulator.....	300100.....	300100.....	300100
22	A. O. Smith Pie Damper Stop Bracket.....	K10420.....	K10420.....	K10420
23	1-1/4 X 1 Hex Reducer Bushing Milled	K10501.....	K10501.....	K10501
24	SV311AO1N6BF5K 24/60 Pilot Valve	X01433.....	X01433.....	X01433
25	1-1/4 X 2-1/2 Pipe Nipple.....	X02307.....	X02307.....	X02307
26	1/4 Hex Nipple.....	X02622.....	X02622.....	X02622
27	Panel Box Bracket	K10304.....	K10304.....	K10304
28	1-1/4 Orifice Spring	911510.....	911510.....	911510
29	1 x 2 Pipe Nipple.....	X02999.....	X02999.....	X02999
30	1-1/4 Pipe Tee.....	873310.....	873310.....	873310
31	1 x 2-1/2 Pipe Nipple Flow Drilled.....	M10551.....	M10551.....	M10551
32	GFS348A-4045 Gas Pressure Switch	171030.....	171030.....	171030
33	A. O. Smith Air Switch Orifice.....	K10043.....	K10043.....	K10043
34	1/4 x 1/8 Tubing to FP Straight.....	835000.....	835000.....	835000
35	1/4" Model 740 Ball Valve	980030.....	980030.....	980030
36	1-1/4 Square Head Pipe Plug	879300.....	879300.....	879300
37	1-1/4 Aluminum Orifice.....	X04365.....	M11109.....	- - - - -
38	S8680J-1004/B Honeywell Control	396250.....	396250.....	396250
39	1/4 x 1/4 Tubing to MP Straight.....	X02681.....	X02681.....	X02681
40	5/16-18 x 1 Hex Head Cap Screw	X09390.....	X09390.....	X09390
41	1/4 - 20 Wing Nut.....	X09603.....	X09603.....	X09603
42	1/4 Flat Washer.....	X09641.....	X09641.....	X09641
43	1/4 Lock Washer	X09653.....	X09653.....	X09653
44	5/16 Lock Washer	X09657.....	X09657.....	X09657
45	10-32 KEP Nut.....	X09745.....	X09745.....	X09745
46	24V Amber Light (Option)	X01468.....	X01468.....	X01468
47	PIE Damper Retaining Washer	X01467.....	X01467.....	X01467
48	PIE Damper Retaining Washer Turned Down.....	K10421.....	K10421.....	K10421
49	3/8 x 1/4 MP-MP Brass Fitting	840200.....	840200.....	840200
50	CRTP1A9M9 OSLO SPST Rocker Switch.....	140700.....	140700.....	140700
51	2 x 4 Box Cover.....	937920.....	937920.....	937920
52	2 x 4 Box Assembly.....	K11004.....	K11004.....	K11004
53	Air Switch	171110.....	171110.....	171110
54	X4 Air Inlet Ring	X08653.....	X08653.....	X08653
55	7 x 3 x 1/2 R700-300S Spec. 109484-CTN	X01401.....	X01401.....	X01401
56	NPM15 5.25" O.D. Diffuser Weld Assembly.....	K20203.....	K20203.....	K20203

For all burner replacement parts contact: Power Flame www.powerflame.com

BTP BURNER ASSEMBLY
(Part numbers are listed on page 4)



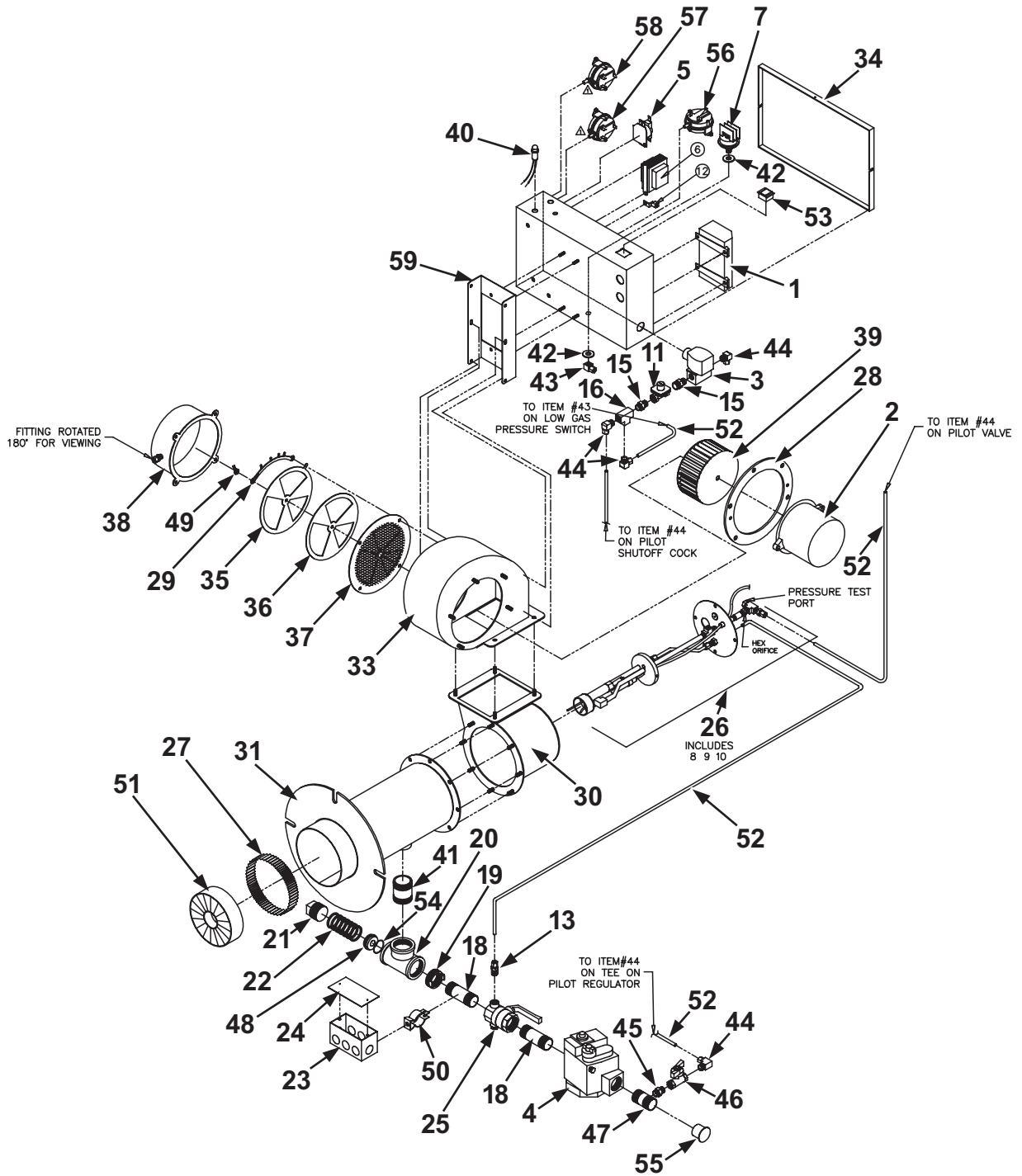
BTPV BURNER ASSEMBLY

Item	Description	BTPV-540A	BTPV-650A	BTPV-740A
1	S8680J-1004/B Honeywell 24 Volt Gas	396250	396250	396250
2	1/4 HP 3450 RPM 120/60 48N FR.	050050	050050	050050
3	SV311A01N6BF5K 24/60 Valve	X01433	X01433	X01433
4	7000DERHC Robertsshaw Gas Valve 5N2 501 5AS	285100	285100	285100
5	X-1716F, P/N 12S10 Thermosdisk Relay.....	556000	556000	556000
6	AT140B-1206 40 VA 120/24 H.W. Transformer.....	332180	332180	332180
7	GFS3418A-4045 RI Delta Gas Pressure Switch	171030	171030	171030
8	Premix Flame Rod (Part of Pilot Assembly)	X04195	X04195	X04195
9	Ignition Electrode (Part of Pilot Assembly).....	X04194	X04194	X04194
10	G4A01164C 164 Deg. C Thermosdisc (Part of Pilot Assembly).....	X01013	X01013	X01013
11	RV-20L 3/8" Maxitrol Regulator	300090	300090	300090
12	SLU - 35 ILSCO Grounding Lug	610400	610400	610400
13	1/4 X 1/4 Tubing to Male Pipe Straight Comp.....	834050	834050	834050
14	3/8" X 1/4" Tubing to Male Pipe Straight Comp.	834450	834450	834450
15	3/8" X 1/4" Brass Reducer Male Pipe	840200	840200	840200
16	1/4" Brass Tee.....	X02626	X02626	X02626
17	B-400-1-2 1/4 X 1/8 Tube to MP Brass	849210	849210	849210
18	1 X 3 Schedule 40 Standard Black Pipe Nipple.....	864550	864550	864550
19	1-1/4 x 1 STD. Black Iron Flush Bushing	872000	872000	872000
20	1-1/4 IN. STD. BLK. Pipe Tee	873310	873310	873310
21	1-1/4 IN. STD. BLK. Pipe Plug Drilled & Tapped.....	879310	879310	879310
22	Orifice Spring for 1-1/4 IN. Pipe Tee	911510	911510	911510
23	58371 - 1/2 4 x 2 - 1/8 x 2 - 1/8 Handy Box	937820	937820	937820
24	58C1 2 X 4 Blank Steel City Handy Box Cover	937920	937920	937920
25	1 IN. Model 68 Ball Valve with Two Taps	980240	980240	980240
26	A. O. Smith NP Flame Rod Pilot	F20094	F20094	F20094
27	NP Air Staging Band	K10213	K10213	K10213
28	PM N Frame Motor Plate	K10410	K10410	K10410
29	A. O. Smith NP PIE Damper Stop PLT	K10420	K10420	K10420
30	NP 90 DEG ADPT ASSY 5.498" Length	K20000	K20000	K20000
31	A. O. Smith NP 5.75" O.D. Tube	K20104	K20104	K20104
32	8.75" X 14" Premix Back Mount Panel Assy	K10310	K10310	K10310
33	Premix Air HSG 6.25" Wheel	K20401	K20401	K20401
34	8.75" 14" Full MOD Panel Box Door	K10311	K10311	K10311
35	15B9C X4 PIE Damper Inner Plate.....	L10201	L10201	L10201
36	X4 PIE Damper Middle Plate	L10202	L10202	L10202
37	X4 CGA Outer PIE Damper.....	L10204	L10204	L10204
38	NPM 6" Fresh Air Inlet Kit	K20010	K20010	K20010
39	7 X 3 X 1/2 Revcor Wheel 108698.....	X01401	X01401	X01401
40	2939-X-11-41620.0001 AMB Light.....	X01468	X01468	X01468
41	1-1/4 x 2-1/2 STD Black Nipple.....	X02307	X02307	X02307
42	3/8" Flat Washers.....	X09650	X09650	X09650
43	1/4" x 1/8" Tubing to FP 90° 70-42.....	832000	832000	832000
44	1/4 x 1/8 BR 90 Comp. EL TU-MP 69-42	X02676	X02676	X02676
45	1/4" HEX Nipple	X02622	X02622	X02622
46	1/4" Model 740 Ball Valve	980030	980030	980030
47	1 x 2 STD BLK Pipe Nipple (Flow Drilled).....	X02799	X02799	X02799
48	1-1/4" Alum. Orifice	X04365	M11109	-----
49	1/4" Wing Nut.....	X09603	X09603	X09603
50	NO. 5B Conduit Clamp.....	X09917	X09917	X09917
51	A. O. Smith Premix Diffuser Assembly	K20203	K20203	K20203
52	Pilot Tubing	-----	-----	-----
53	"On-Off" CRTP1A9M9 SPST Rocker Switch	140700	140700	140700
54	O Ring Seal.....	534650	534650	534650
55	SC-1 1" Pipe Plastic Cap	877550	877550	877550
56	IS2 Air Switch w/SPDT Contacts Blocked Flue +0.3"	171040	171040	171040
57	IS2 Air Switch w/SPDT Contacts Combustion +0.9"	171080	171080	171080
58	IS2 Air Switch w/SPDT Contacts Sealed Intake -0.3"	171070	171070	171070
59	NPM 4.25" Wide Housing Panel Box Bracket.....	K10304	K10304	K10304
60	5/16" x 3/16" I.D. PVC Tubing.....	Y00811	Y00811	Y00811

For all burner replacement parts contact: Power Flame www.powerflame.com

BTPV BURNER ASSEMBLY

(Part numbers are listed on page 6)





A.O. Smith Water Heater Parts Fulfillment
125 Southeast Parkway
Franklin, TN 37068
1-800-433-2545
www.hotwater.com