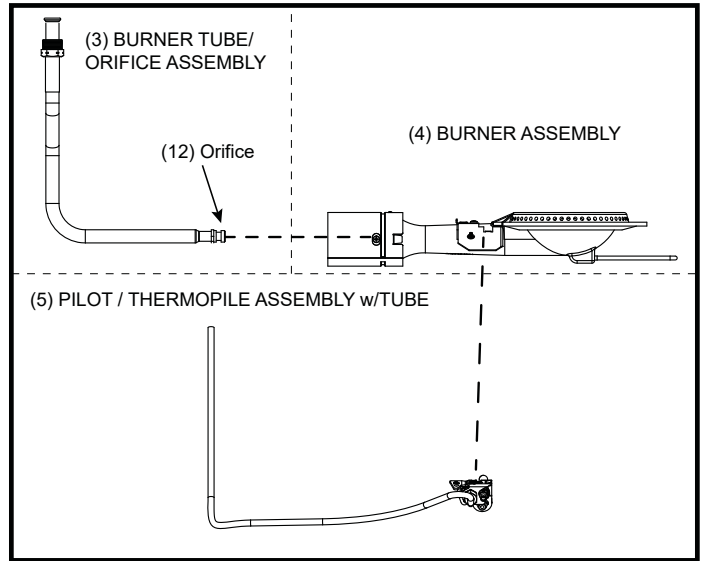
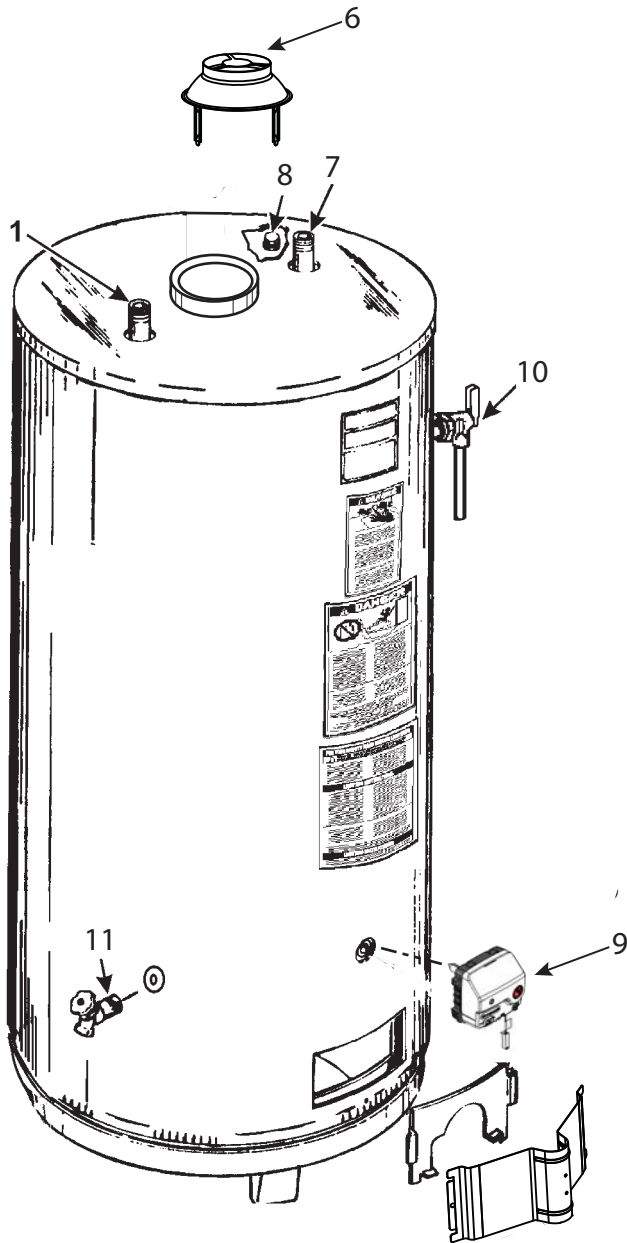


# COMMERCIAL GAS REPLACEMENT PARTS LIST

MODELS: BT 80 - 100  
SERIES 400/401

## (2) COMPLETE BURNER ASSEMBLY



SEE WARRANTY FOR REPLACEMENT CONTACT INFORMATION

Item	Qty.	Parts Description	BT-80 Natural	BT-100 Natural	BT-80 Propane	BT-100 Propane
1	1	Pipe Nipple.....	100109450	100109682	100109450	100109682
2	1	Complete Burner Assembly .....	100281540	100281562	100281561	100281563
3	1	Burner Tube/Orifice Assembly .....	100281565	100281567	100281566	100281568
4	1	Burner Assembly.....	100281564	100281564	100281564	100281564
5	1	Pilot, Thermopile Assembly w/tube .....	100281571	100281571	100281572	100281572
6	1	Draft Hood.....	100210003	100210003	100210003	100210003
7	1	Inlet Tube .....	100110992	100281573	100110992	100281573
8	1	Anode Rod (Aluminum).....	100109594	100109594	100109594	100109594
8	1	Anode Rod (Magnesium).....	100108660	100108660	100108660	100108660
8	1	Anode Rod (KA-90).....	100108571	100108571	100108571	100108571
9	1	Control Valve.....	100281574	100281574	100093979	100093979
10	1	T & P Relief Valve .....	100108455	100108455	100108455	100108455
11	1	Drain Valve.....	100263911	100263840	100263911	100263840
12*	1	Main Burner Orifice .....	100281569	100281569	100281570	100281570

\* 0 ft. - 7,700 ft. Elevations Only. Please contact a service representative for other altitudes.  
(Consider gas used in your area only).

**SEE WARRANTY FOR REPLACEMENT CONTACT INFORMATION**