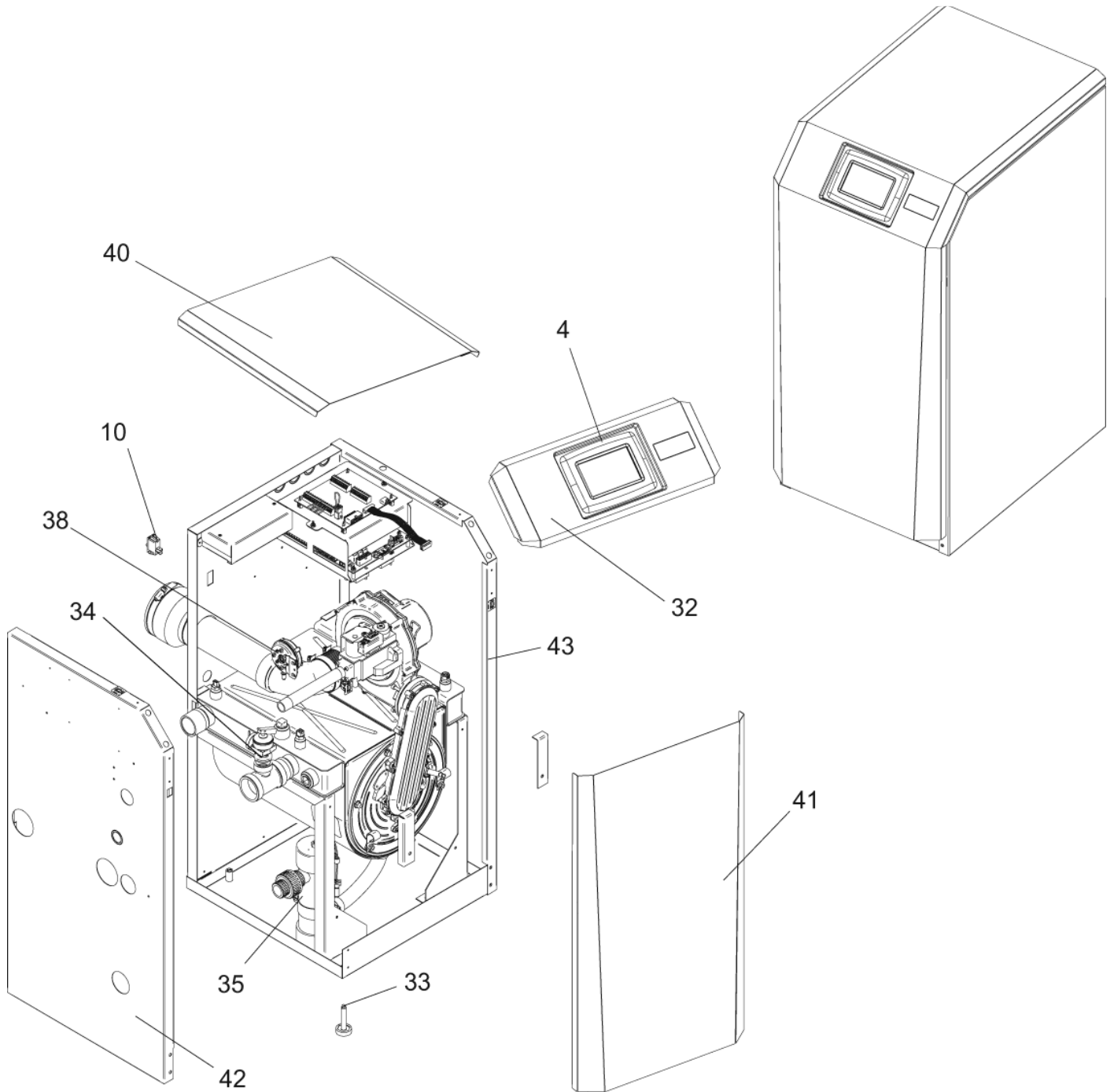




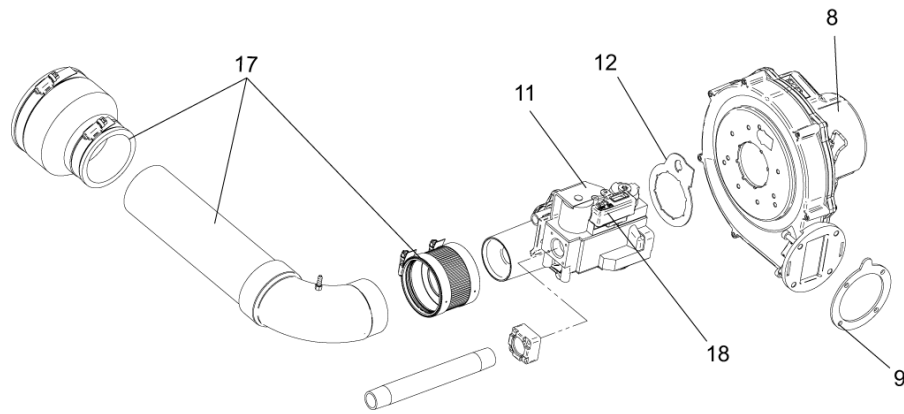
COMMERCIAL GAS SERVICE PARTS LIST

A.O. Smith Water Heater Parts Fulfillment
125 Southeast Parkway • Franklin, TN 37068
www.hotwater.com • 1-800-433-2545

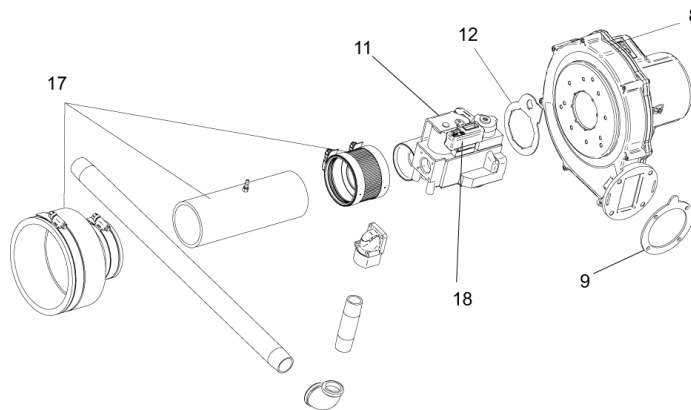
**MODELS:
XWH 150 - 800**



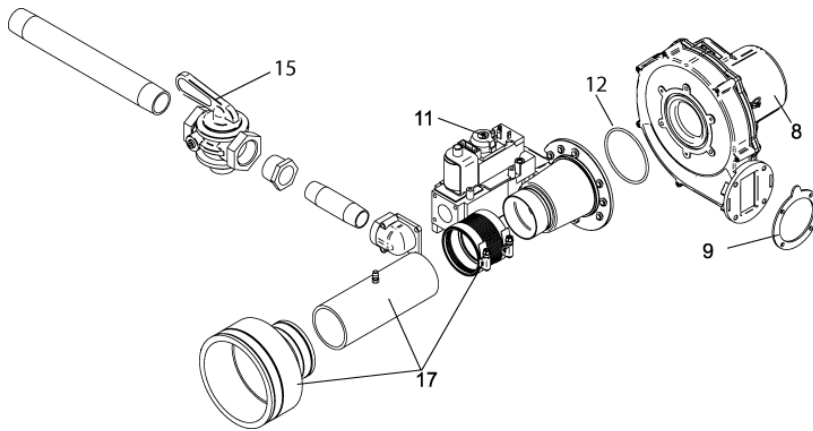
GAS TRAIN 150-200



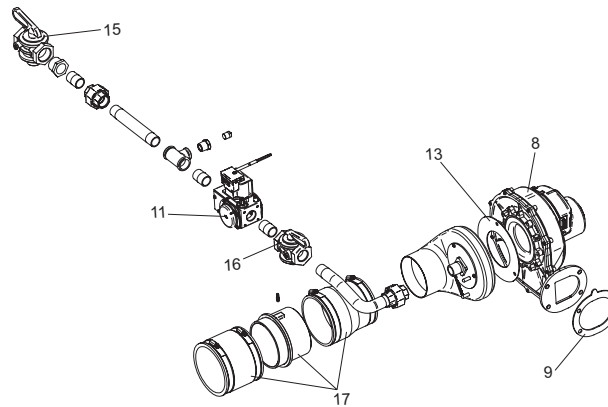
GAS TRAIN 285



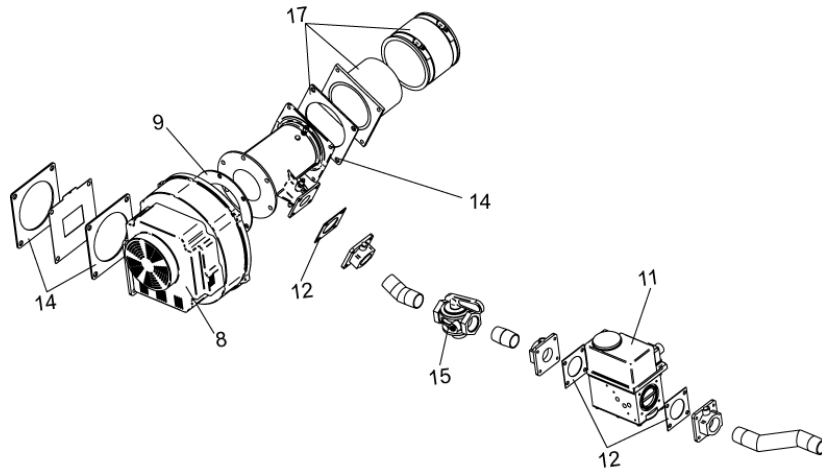
GAS TRAIN 400



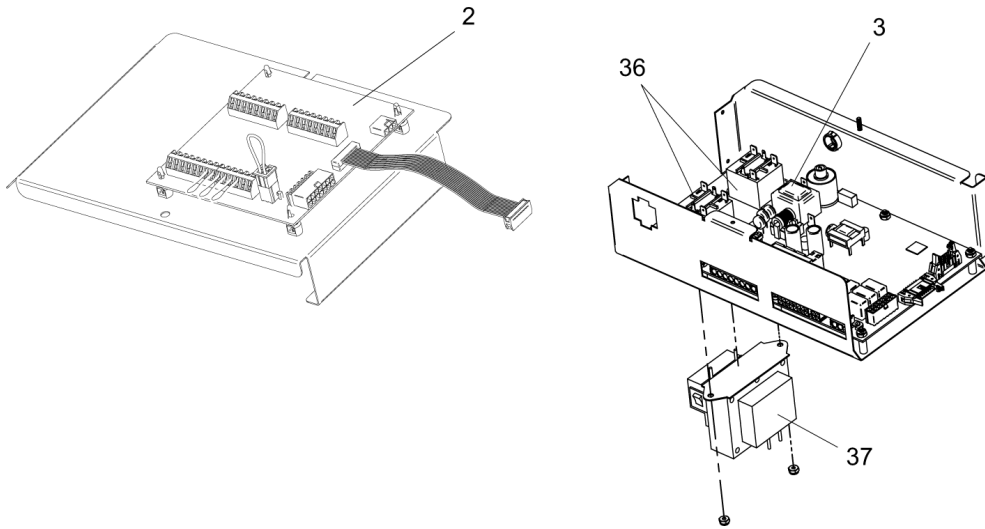
GAS TRAIN 500



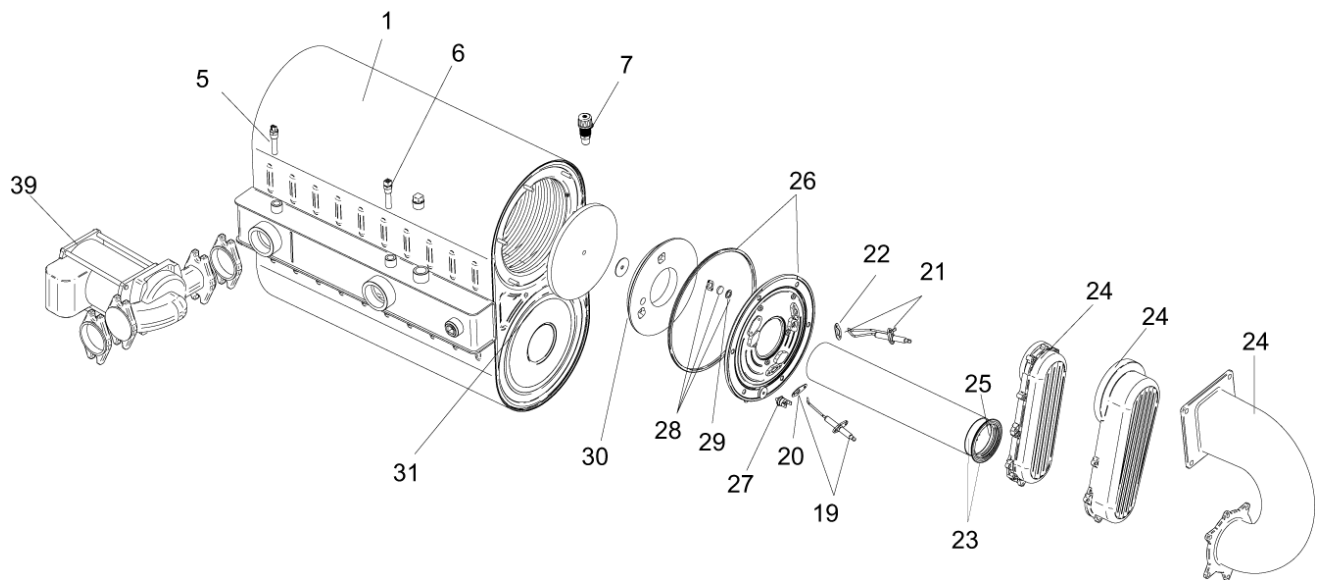
GAS TRAIN 500



GAS TRAIN 500



GAS TRAIN 500



ITEM NO.	PART NO.	DESCRIPTION	MODEL
HEAT EXCHANGER ASSEMBLY			
1	100272718	HEAT EXCHANGER	XWH 150
1	100272719	HEAT EXCHANGER	XWH 200
1	100272741	HEAT EXCHANGER	XWH 285
1	100272742	HEAT EXCHANGER	XWH 400
1	100272743	HEAT EXCHANGER	XWH 500
1	100272744	HEAT EXCHANGER	XWH 600
1	100272745	HEAT EXCHANGER	XWH 700
1	100272746	HEAT EXCHANGER	XWH 800
CONTROLS			
2	100276323	CONNECTION BOARD	ALL
3	100272747	INTEGRATED CONTROL	XWH 150-285
3	100272748	INTEGRATED CONTROL	XWH 400
3	100272749	INTEGRATED CONTROL	XWH 500
3	100272750	INTEGRATED CONTROL	XWH 600 - 800
3	100272751	HIGH ALTITUDE INTEGRATED CONTROL	XWH 150-285
3	100272752	HIGH ALTITUDE INTEGRATED CONTROL	XWH 400
3	100272753	HIGH ALTITUDE INTEGRATED CONTROL	XWH 500
3	100272754	HIGH ALTITUDE INTEGRATED CONTROL	XWH 600 - 800
4	100276883	USER INTERFACE MODULE	ALL
5	100276324	SENSOR, INLET	ALL
6	100276325	SENSOR, OUTLET / HIGH LIMIT	ALL
7	100272758	AIR VENT VALVE	ALL
8	100272759	FAN ASSEMBLY	XWH 150
8	100272760	FAN ASSEMBLY	XWH 200
8	100272761	FAN ASSEMBLY	XWH 285
8	100272762	FAN ASSEMBLY	XWH 400
8	100272763	FAN ASSEMBLY	XWH 500
8	100272764	FAN ASSEMBLY	XWH 600-800
9	100276326	GASKET, BLOWER	XWH 200
9	100276327	GASKET, BLOWER	XWH 150, 285, 400
9	100276328	GASKET, BLOWER	XWH 500
9	100276329	GASKET, VENTURI	XWH 600 - 800
10	100276330	SWITCH, ON/OFF	ALL
GAS VALVES			
11	100272765	GAS VALVE ASSEMBLY NAT	XWH 150
11	100272766	GAS VALVE ASSEMBLY NAT	XWH 200
11	100272767	GAS VALVE ASSEMBLY NAT	XWH 285
11	100272768	GAS VALVE ASSEMBLY NAT	XWH 400
11	100272769	GAS VALVE ASSEMBLY NAT	XWH 500
11	100272770	GAS VALVE ASSEMBLY NAT	XWH 600
11	100272771	GAS VALVE ASSEMBLY NAT	XWH 700
11	100272772	GAS VALVE ASSEMBLY NAT	XWH 800
11	100272773	GAS VALVE ASSEMBLY LP	XWH 500
11	100272774	GAS VALVE ASSEMBLY LP	XWH 600
11	100272775	GAS VALVE ASSEMBLY LP	XWH 700
11	100272776	GAS VALVE ASSEMBLY LP	XWH 800
12	100276361	GASKET, GAS VALVE	XWH 150-285
12	100276362	GASKET, GAS VALVE	XWH 400
12	100276363	GASKET, GAS VALVE	XWH 600-800
13	100276364	GASKET, AIR SHROUD	XWH 500
14	100276365	GASKET, AIR INTAKE	XWH 400-800
15	100276366	GAS CUT OFF VALVE 1" X 1"	XWH 500-800
16	100276367	GAS CUT OFF VALVE 3/4" X 3/4"	XWH 500

PLEASE HAVE SERIAL NUMBER AVAILABLE WHEN ORDERING PARTS

ITEM NO.	PART NO.	DESCRIPTION	MODEL
GAS VALVES (CONT.)			
17	100272777	AIR INLET KIT	XWH 150
17	100272778	AIR INLET KIT	XWH 200
17	100272779	AIR INLET KIT	XWH 285
17	100272780	AIR INLET KIT	XWH 400
17	100272781	AIR INLET KIT	XWH 600-800
17	100272782	AIR INLET KIT	XWH 500
18	100276368	GAS VALVE SWITCH	XWH 150 - 285
PILOT & BURNER ASSEMBLIES			
19	100278782	FLAME SENSOR W/ GASKET	XWH 150-500
19	100278783	FLAME SENSOR W/ GASKET	XWH 600-800
20	100276369	GASKET, FLAME SENSOR	ALL
21	100278784	IGNITOR W/ GASKET	XWH 150-500
21	100276370	IGNITOR W/ GASKET	XWH 600-800
22	100276371	GASKET, IGNITOR	ALL
23	100272787	BURNER W/GASKET	XWH 150
23	100272788	BURNER W/GASKET	XWH 200
23	100272789	BURNER W/GASKET	XWH 285
23	100272790	BURNER W/GASKET	XWH 400-500
23	100272791	BURNER W/ GASKET	XWH 600
23	100272792	BURNER W/ GASKET	XWH 700
23	100272793	BURNER W/ GASKET	XWH 800
24	100272794	GAS/AIR ARM ASSEMBLY W/ GASKET	XWH 150
24	100272795	GAS/AIR ARM ASSEMBLY W/ GASKET	XWH 200-400
24	100272796	GAS/AIR ARM ASSEMBLY W/ GASKET	XWH 500
24	100272797	GAS/AIR ARM ASSEMBLY W/GASKET	XWH 600-800
25	100276372	GASKET, BURNER	XWH 150-500
25	100276373	GASKET, BURNER	XWH 600-800
26	100272798	HEAT EXCHANGER ACCESS DOOR KIT	XWH 150-500
26	100272799	HEAT EXCHANGER ACCESS DOOR KIT	XWH 600-800
27	100276374	SWITCH, HEX DOOR TEMP (BEGINNING SN# F14)	XWH 285-800
MISCELLANEOUS			
28	100272800	SIGHT GLASS	ALL
29	100276375	GASKET, SIGHT GLASS	ALL
30	100276376	INSULATION, BURNER PLATE DOOR	XWH 150-500
30	100276377	INSULATION, BURNER PLATE DOOR	XWH 600-800
31	100276378	INSULATION BAFFLE, DIVIDER PLATE	ALL
32	100276884	DISPLAY BEZEL	ALL
33	100276379	LEVELING LEG	ALL
34	100276380	T & P RELIEF 1" X 150#	XWH 150-200
34	100276381	T & P RELIEF 3/4" X 150#	XWH 285-400
34	100276382	T & P RELIEF 3/4" X 150#	XWH 500-800
*	100276383	FUSE, 0.8 AMP	ALL
*	100276384	FUSE, 3.15 AMP	ALL
*	100276385	FUSE, 5 AMP	ALL
*	100276386	FLOW SWITCH	XWH 150-200 & 400-800
*	100276387	FLOW SWITCH	XWH 285
35	100272801	CONDENSATE TRAP	XWH 150-200
35	100272802	CONDENSATE TRAP	XWH 285-800
36	100276388	RELAY, 1.5 HP PUMP	ALL
*	100276389	SWITCH, BLOCKED DRAIN	ALL
*	100276390	GAUGE TRIOMETER, 75# PSI	XWH 500-800
*	100272803	FLUE TEMP SENSOR KIT	ALL
*	100272804	KIT, COLLAR, FLUE 3"	XWH 150-200

PLEASE HAVE SERIAL NUMBER AVAILABLE WHEN ORDERING PARTS

ITEM NO.	PART NO.	DESCRIPTION	MODEL
MISCELLANEOUS			
*	100272805	KIT, COLLAR, FLUE 4"	XWH 285-600
*	100272806	ALARM BELL	ALL
*	100272807	NEUTRALIZER KIT	XWH 150-500
*	100272808	NEUTRALIZER KIT	XWH 600-800
*	100272810	SENSOR KIT, TANK	ALL
37	100276391	TRANSFORMER	XWH 150-700
37	100276392	TRANSFORMER	XWH 800
38	100276393	SWITCH, PRESSURE	XWH 150 & 285
38	100276394	SWITCH, PRESSURE	XWH 200 & 400
38	100276395	SWITCH, PRESSURE	XWH 500
38	100276396	SWITCH, PRESSURE	XWH 600-800
*	100272811	LP CONVERSION KIT	XWH 150
*	100272812	LP CONVERSION KIT	XWH 200
*	100272813	LP CONVERSION KIT	XWH 285
*	100272814	LP CONVERSION KIT	XWH 400
*	100272815	LP CONVERSION KIT	XWH 500-800
*	100272816	LIMIT, HEAT EXCHANGER OVER TEMP	ALL
*	100276885	HARNESS, UIM	ALL
*	100276397	HARNESS, CONNECTION BOARD	ALL
*	100276398	HARNESS, RELAY	ALL
*	100276399	HARNESS, POWER	XWH 150-285
*	100276400	HARNESS, POWER	XWH 400-800
*	100276401	HARNESS, GAS VALVE	XWH 150-285
*	100276402	HARNESS, GAS VALVE	XWH 400
*	100272817	HARNESS, GAS VALVE	XWH 500
*	100276403	HARNESS, GAS VALVE	XWH 600-800
*	100276404	HARNESS, UNIT	XWH 150 & 200
*	100272818	HARNESS, UNIT	XWH 285
*	100272819	HARNESS, UNIT	XWH 400-800
*	100276405	CABLE, RIBBON	XWH 150-500
*	100276406	CABLE, RIBBON	XWH 600-800
*	100276407	HARNESS, SPARK ELECTRODE	XWH 150 & 200
*	100276408	HARNESS, SPARK ELECTRODE	XWH 285
*	100276409	HARNESS, SPARK ELECTRODE	XWH 400 & 500
*	100276410	HARNESS, SPARK ELECTRODE	XWH 600-800
*	100276411	HARNESS, FLAME SENSE ELECTRODE	ALL
PUMPS			
39	100272820	PUMP	XWH 150-200
39	100272821	PUMP	XWH 285
39	100272822	PUMP	XWH 400
39	100272823	PUMP	XWH 500-600
39	100272824	PUMP	XWH 700-800
JACKET ASSEMBLY			
40	100276415	JACKET, TOP	XWH 150
40	100276416	JACKET, TOP	XWH 200
40	100276417	JACKET, TOP	XWH 285
40	100276418	JACKET, TOP	XWH 400
40	100276419	JACKET, TOP	XWH 500
40	100276420	JACKET, TOP	XWH 600
40	100276431	JACKET, TOP	XWH 700
40	100276432	JACKET, TOP	XWH 800

PLEASE HAVE SERIAL NUMBER AVAILABLE WHEN ORDERING PARTS

ITEM NO.	PART NO.	DESCRIPTION	MODEL
JACKET ASSEMBLY			
41	100276433	JACKET, FRONT	XWH 150-200
41	100276886	JACKET, FRONT	XWH 285
41	100276434	JACKET, FRONT	XWH 400-800
42	100276246	JACKET, LEFT SIDE	XWH 150
42	100276247	JACKET, LEFT SIDE	XWH 200
42	100276249	JACKET, LEFT SIDE	XWH 285
42	100276250	JACKET, LEFT SIDE	XWH 400
42	100276302	JACKET, LEFT SIDE	XWH 500
42	100276303	JACKET, LEFT SIDE	XWH 600
42	100276304	JACKET, LEFT SIDE	XWH 700
42	100276305	JACKET, LEFT SIDE	XWH 800
43	100276306	JACKET, RIGHT SIDE	XWH 150
43	100276307	JACKET, RIGHT SIDE	XWH 200
43	100276308	JACKET, RIGHT SIDE	XWH 285
43	100276309	JACKET, RIGHT SIDE	XWH 400
43	100276310	JACKET, RIGHT SIDE	XWH 500
43	100276311	JACKET, RIGHT SIDE	XWH 600
43	100276313	JACKET, RIGHT SIDE	XWH 700
43	100276314	JACKET, RIGHT SIDE	XWH 800

NOTE: * represents that the parts are not shown in the illustrations.

PLEASE HAVE SERIAL NUMBER AVAILABLE WHEN ORDERING PARTS



A. O. Smith Water Heater Parts Fulfillment
125 Southeast Parkway
Franklin, TN 37068
1-800-433-2545
www.hotwater.com