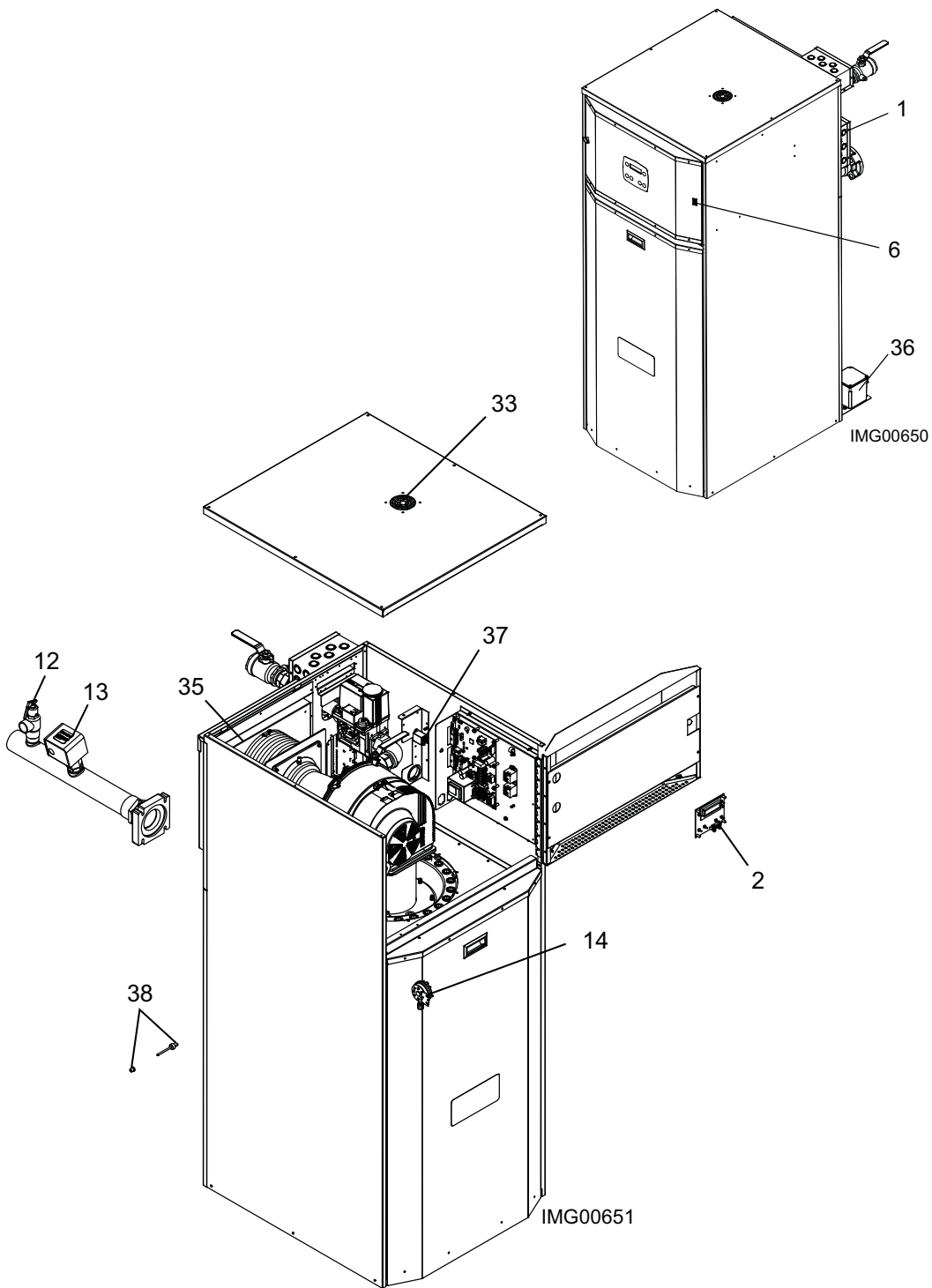
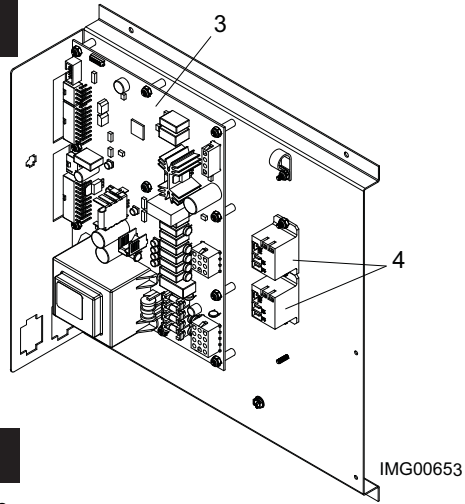


Replacement Parts List

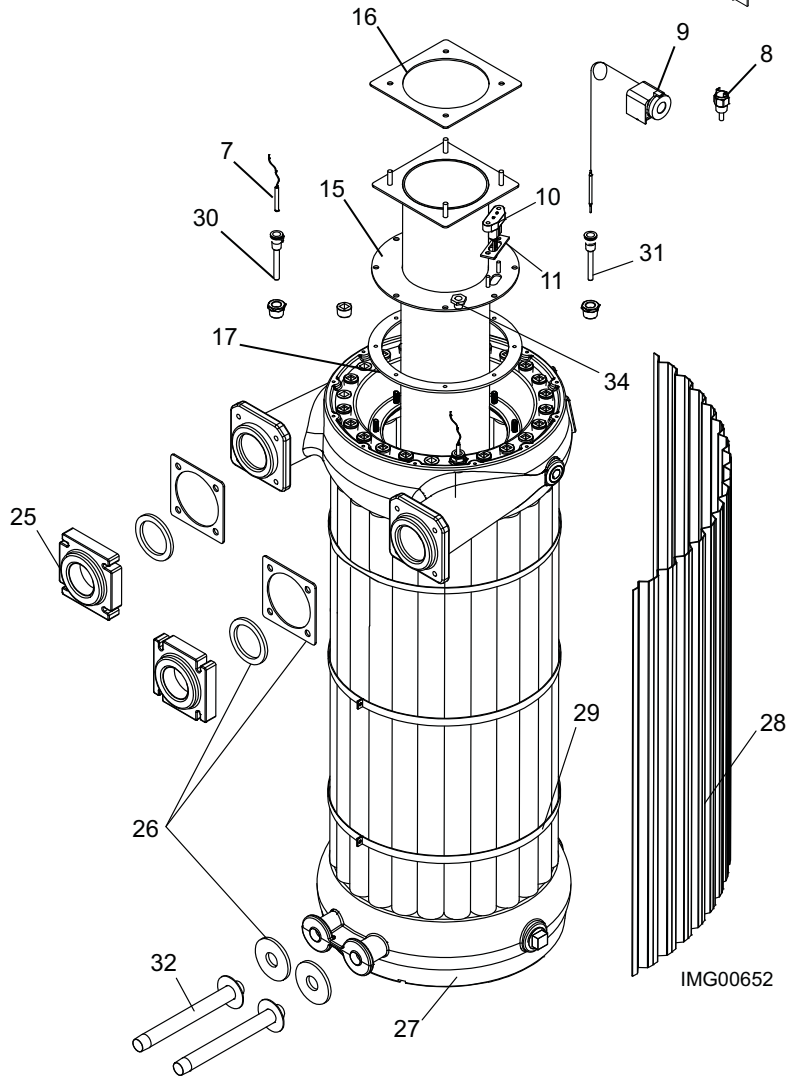
VF™ Series Water Heaters Models 1500 - 2000



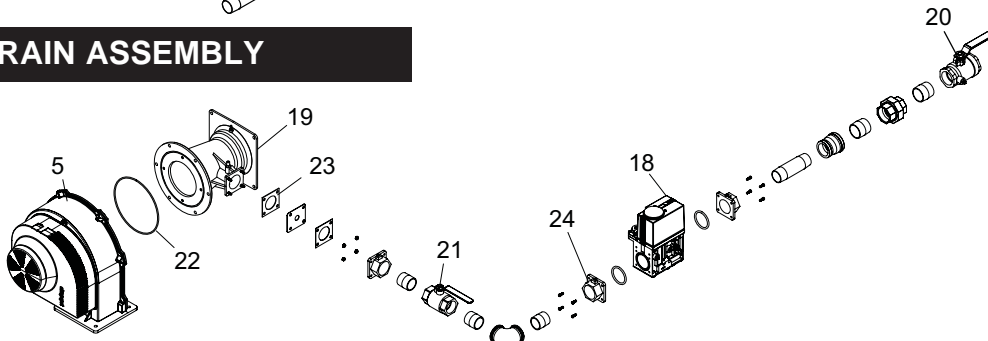
CONTROL PANEL ASSEMBLY



HEAT EXCHANGER ASSEMBLY



GAS TRAIN ASSEMBLY



ITEM NO.	PART NO.	DESCRIPTION	MODEL NO.
CONTROLS & GAUGES			
1	100112810	CONNECTION BOARD	ALL
2	100112811	BOARD, CONTROL, USER INTERFACE	ALL
3	100112812	BOARD, CONTROL, MAIN	ALL
4	100112813	RELAY, 120 VAC ,60 HZ	ALL
5	100113103	FAN COMBUSTION AIR	ALL
6	100112846	SWITCH, ON, OFF	ALL
7	100112981	THERMOSTAT SENSOR	ALL
8	100112982	KIT THERMOSTAT, HIGH LIMIT 200 DEGREE	ALL
9	100112983	KIT THERMOSTAT, HIGH LIMIT W/ AUTO RESET	ALL
10	100112851	KIT HOT SURFACE IGNITOR	ALL
11	100112852	GASKET, IGNITOR	ALL
12	100112814	VALVE, T & P RELIEF, 1", 125#	1500
12	100112815	VALVE, T & P RELIEF, 1", 125#	2000
13	100112868	SWITCH, FLOW	ALL
14	100113104	PRESSURE SWITCH	ALL
GAS TRAIN ASSEMBLIES			
15	100113058	MAIN BURNER ASSEMBLY	1500
15	100113060	MAIN BURNER ASSEMBLY	2000
16	100113061	GASKET, BURNER, FAN	ALL
17	100113062	GASKET, BURNER	ALL
18	100113063	GAS VALVE ASSEMBLY, NAT	1500
18	100113065	GAS VALVE ASSEMBLY, NAT	2000
18	100113066	GAS VALVE ASSEMBLY, LP	1500
18	100113068	GAS VALVE ASSEMBLY, LP	2000
19	100113069	VALVE, VENTURI	1500
19	100113070	VALVE, VENTURI	2000
20	100113073	VALVE, BALL, 1.5"	ALL
21	100112816	KIT 1-1/4" BALL VALVE	ALL
22	100113071	GASKET FAN, VENTURI	ALL
23	100113072	GASKET, GAS TRAIN	ALL
24	100113074	FLANGE, GAS 1 1/4"NPT	ALL
HEAT EXCHANGERS			
25	100113075	FLANGE	ALL
26	100113076	GASKET, TOP HEADER FLANGE 1/4"	ALL
27	100113078	HEAT EXCHANGER	1500
27	100113080	HEAT EXCHANGER	2000
28	100113086	V-BAFFLE, HEAT EXCHANGER (24)	1500
28	100113088	V-BAFFLE, HEAT EXCHANGER (24)	2000
29	100113089	RETAINER ,V-BAFFLE	ALL
30	100113040	BULBWELL, EMMEN CONTROL	ALL
31	100113041	BULBWELL, HIGH LIMIT	ALL
32	100113085	DRAIN VALVE KIT	ALL
MISCELLANEOUS			
33	100113043	FAN, VENTILATION	ALL
34	100113044	BURNER SIGHT GLASS,	ALL
35	100112942	FILTER, AIR, HEAVY DUTY	ALL
36	100113050	CONDENSATE TRAP	ALL
37	100113051	RELAY, LOUVER	ALL
PLEASE HAVE MODEL AND SERIAL NUMBER WHEN ORDERING PARTS			

ITEM NO.	PART NO.	DESCRIPTION	MODEL NO.
38	100113052	FLUE SENSOR	ALL
-	100112880	FUSE, 3.15A 5X22MM	ALL
-	100112150	FUSE, 5A 5X22MM	ALL
-	100113053	FUSE, 1.6A 5X20MM	ALL
-	100112943	LOW WATER CUT-OFF, MANUAL RESET (OPTIONAL)	ALL
-	100112944	LOW WATER CUT-OFF, AUTO RESET (OPTIONAL)	ALL
-	100112945	LOW WATER CUT-OFF PROBE (OPTIONAL)	ALL
-	100112946	LOW WATER CUT-OFF BOOT (OPTIONAL)	ALL
-	100113056	KIT, ALARM ON ANY FAILURE WITH BELL	ALL
-	100113057	KIT, MANUAL RESET LOW WATER CUTOFF	ALL

PUMPS

-	100113090	PUMP ASSEMBLY	ALL
---	-----------	---------------	-----

INSULATION

-	100113091	INSULATION, SIDES	1500
-	100113093	INSULATION, SIDES	2000
-	100113094	INSULATION, BACK	1500
-	100113096	INSULATION, BACK	2000
-	100113097	INSULATION, FRONT	1500
-	100113099	INSULATION, FRONT	2000
-	100113100	INSULATION, FRONT DOOR	1500
-	100113102	INSULATION, FRONT DOOR	2000

PLEASE HAVE MODEL NUMBER AND SERIAL NUMBER WHEN ORDERING PARTS.