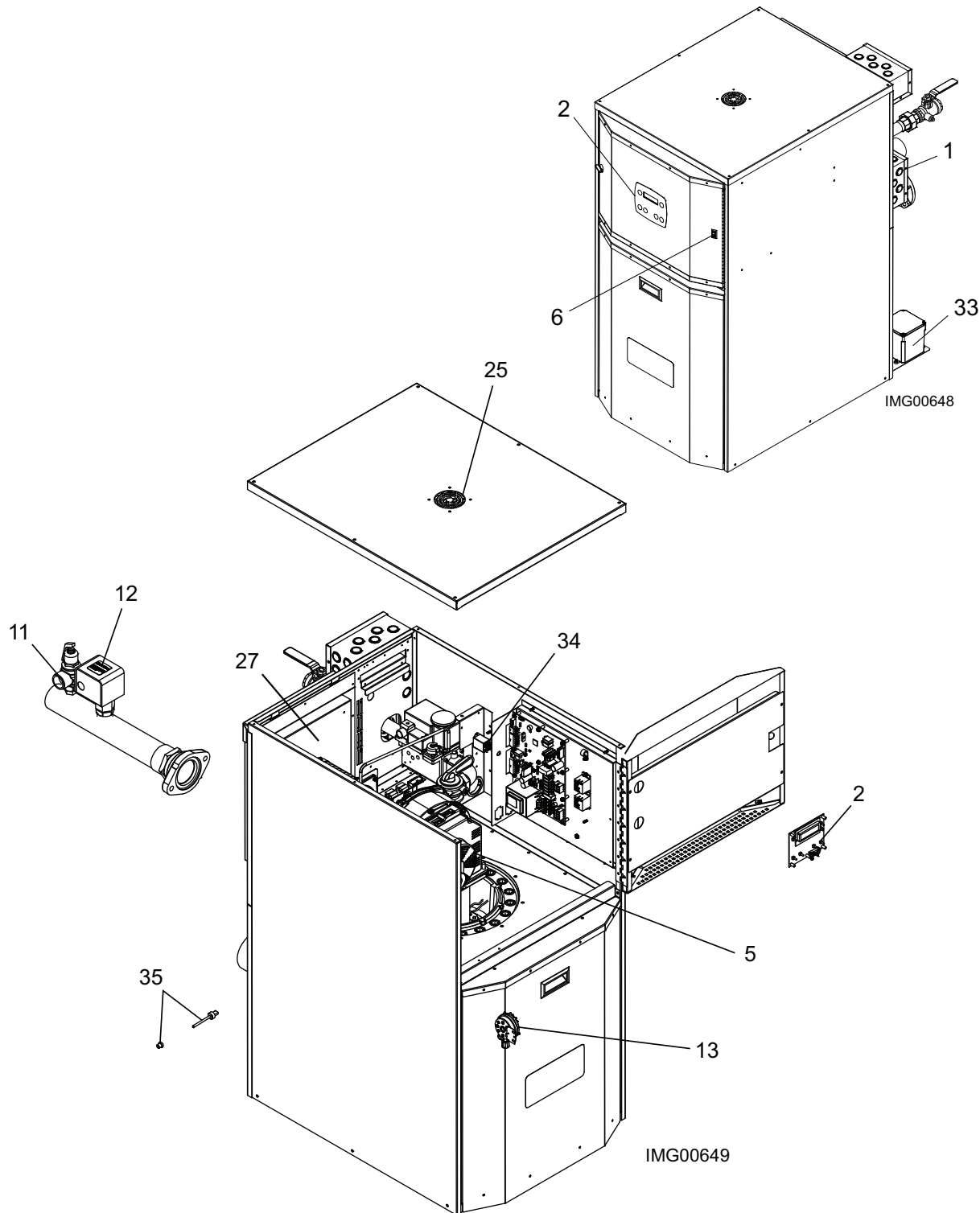
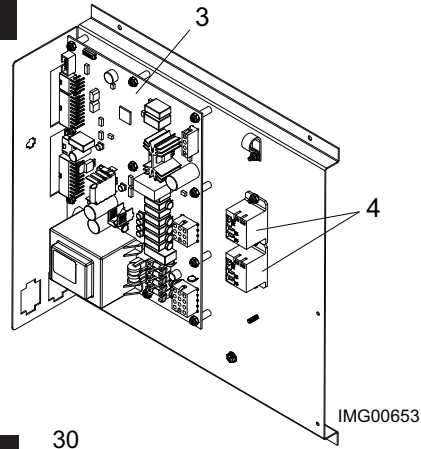


Replacement Parts List

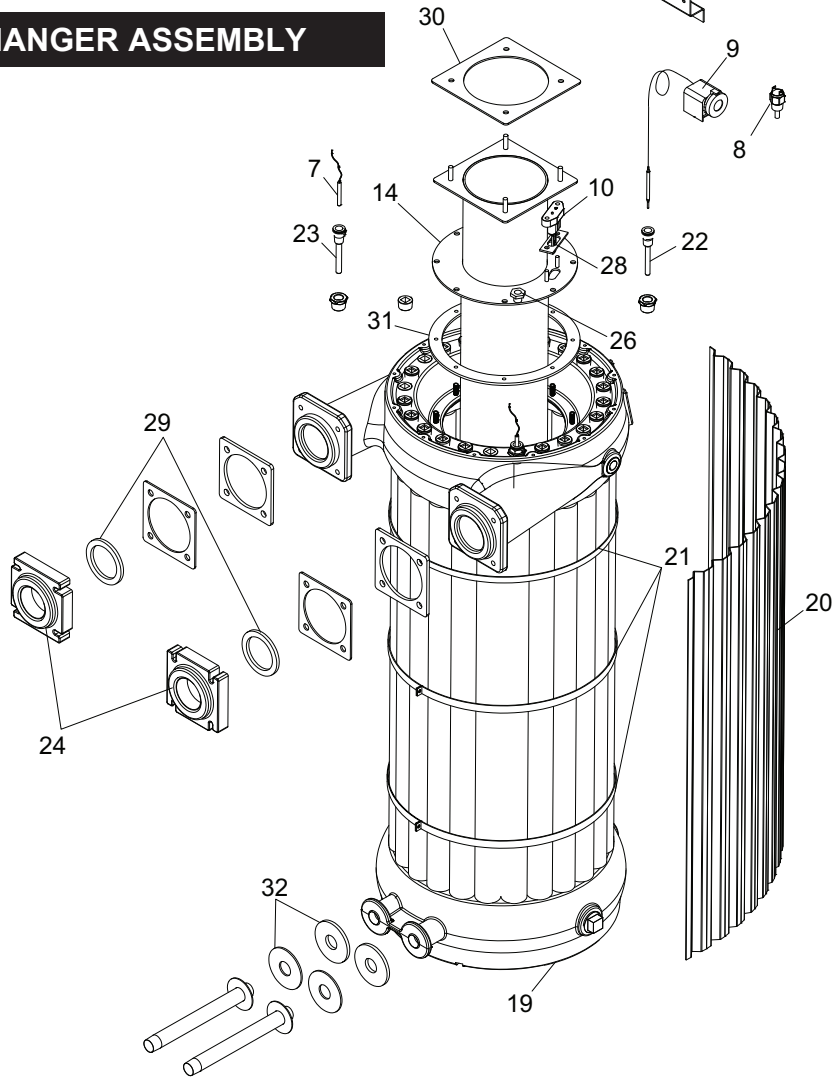
VF™ Series Water heaters Models 500 - 1000



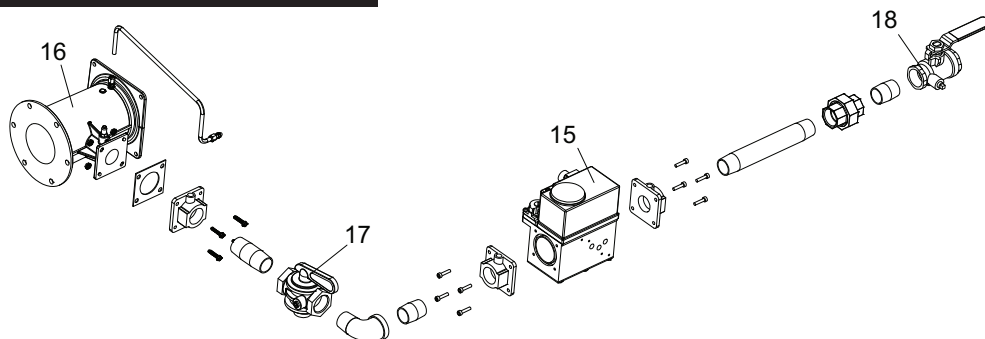
CONTROL PANEL ASSEMBLY



HEAT EXCHANGER ASSEMBLY



GAS TRAIN ASSEMBLY



ITEM NO.	PART NO.	DESCRIPTION	MODEL NO.
CONTROLS & GAUGES			
1	100112810	CONNECTION BOARD	ALL
2	100112811	BOARD, CONTROL, USER INTERFACE	ALL
3	100112812	BOARD, CONTROL, MAIN	ALL
4	100112813	KIT RELAY, 120 VAC 60 HZ	ALL
5	100112802	FAN, COMBUSTION AIR	ALL
6	100112846	ON / OFF SWITCH	ALL
7	100112981	THERMOSTAT SENSOR	ALL
8	100112982	THERMOSTAT, HI LIMIT 200 DEGREE	ALL
9	100112983	THERMOSTAT, HI LIMIT W/ AUTO RESET	ALL
10	100112851	IGNITOR, HOT SURFACE	ALL
11	100112872	RELIEF VALVE, TEMPERATURE & PRESSURE	ALL
12	100112868	FLOW SWITCH	ALL
13	100112987	SWITCH, LOW AIR	ALL
GAS TRAIN ASSEMBLIES			
14	100112993	BURNER	500
14	100112994	BURNER	750
14	100112995	BURNER	1000
15	100112997	VALVE, GAS NAT	500
15	100112998	VALVE, GAS NAT	750
15	100112999	VALVE, GAS NAT	100
15	100113001	VALVE, GAS LP	500
15	100112998	VALVE, GAS LP	750
15	100113003	VALVE, GAS LP	1000
16	100113011	VALVE, VENTURI	500
16	100113012	VALVE, VENTURI	750-1000
17	100113015	GAS COCK	500
17	100113016	GAS COCK	750-1000
18	100113017	VALVE, BALL	500
18	100113018	VALVE, BALL	750-1000
HEAT EXCHANGER ASSEMBLIES			
19	100113027	HEAT EXCHANGER(HLW)	500
19	100113029	HEAT EXCHANGER(HLW)	750
19	100113031	HEAT EXCHANGER(HLW)	1000
20	100113035	V BAFFLE (20 REQ.)	500
20	100113036	V BAFFLE (20 REQ.)	750
20	100113037	V BAFFLE (20 REQ.)	1000
21	100113039	V BAFFLE STRAP (3 REQ.)	ALL
22	100113040	HIGH LIMIT BULB WELL	ALL
23	100113041	THERMOSTAT BULB WELL 3/8"	ALL
24	100113042	HEAT EXCHANGER FLANGE	ALL
MISCELLANEOUS			
25	100113043	FAN, VENTILATION	ALL
26	100113044	BURNER SIGHT GLASS	ALL
27	100113045	AIR FILTER	ALL
28	100112852	IGNITOR GASKET	ALL
29	100113046	FLANGE GASKET	ALL
30	100276365	BURNER / BLOWER GASKET	ALL
31	100113048	BURNER / HEX GASKET	ALL
32	100113049	HEX / DIVIDER PANEL GASKET	ALL
33	100113050	CONDENSATE TRAP	ALL
PLEASE HAVE MODEL NUMBER AND SERIAL NUMBER WHEN ORDERING PARTS			

ITEM NO.	PART NO.	DESCRIPTION	MODEL NO.
MISCELLANEOUS (CONTINUED)			
34	100113051	RELAY, LOUVER	ALL
35	100113052	FLUE SENSOR	ALL
-	100112943	LOW WATER CUT-OFF, MANUAL RESET (OPTIONAL)	ALL
-	100113085	DRAIN VALVE KIT	ALL
-	100112945	LOW WATER CUT-OFF PROBE (OPTIONAL)	ALL
-	100112946	LOW WATER CUT-OFF BOOT (OPTIONAL)	ALL
-	100307595	FUSE, 3.15A 5X22MM	ALL
-	100112881	FUSE, 5A 5X22MM	ALL
-	100113053	FUSE, 1.6A 5X20MM	ALL
-	100113054	PUMP	ALL
-	100113055	KIT, OUTDOOR AIR RESET	ALL
-	100113056	KIT, ALARM ON ANY FAILURE WITH BELL	ALL
-	100113057	KIT, MANUAL RESET LOW WATER CUTOFF	ALL
-	100113085	DRAIN VALVE KIT	ALL

PLEASE HAVE MODEL NUMBER AND SERIAL NUMBER WHEN ORDERING PARTS