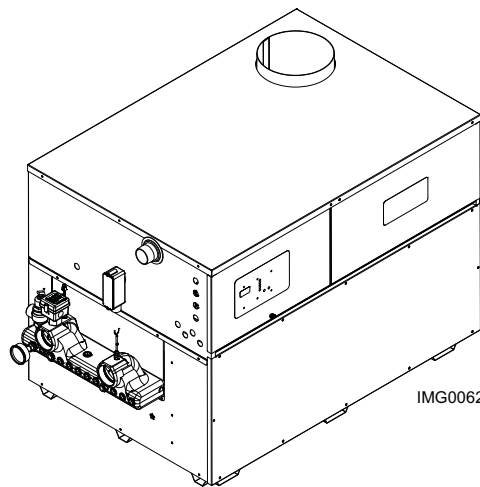
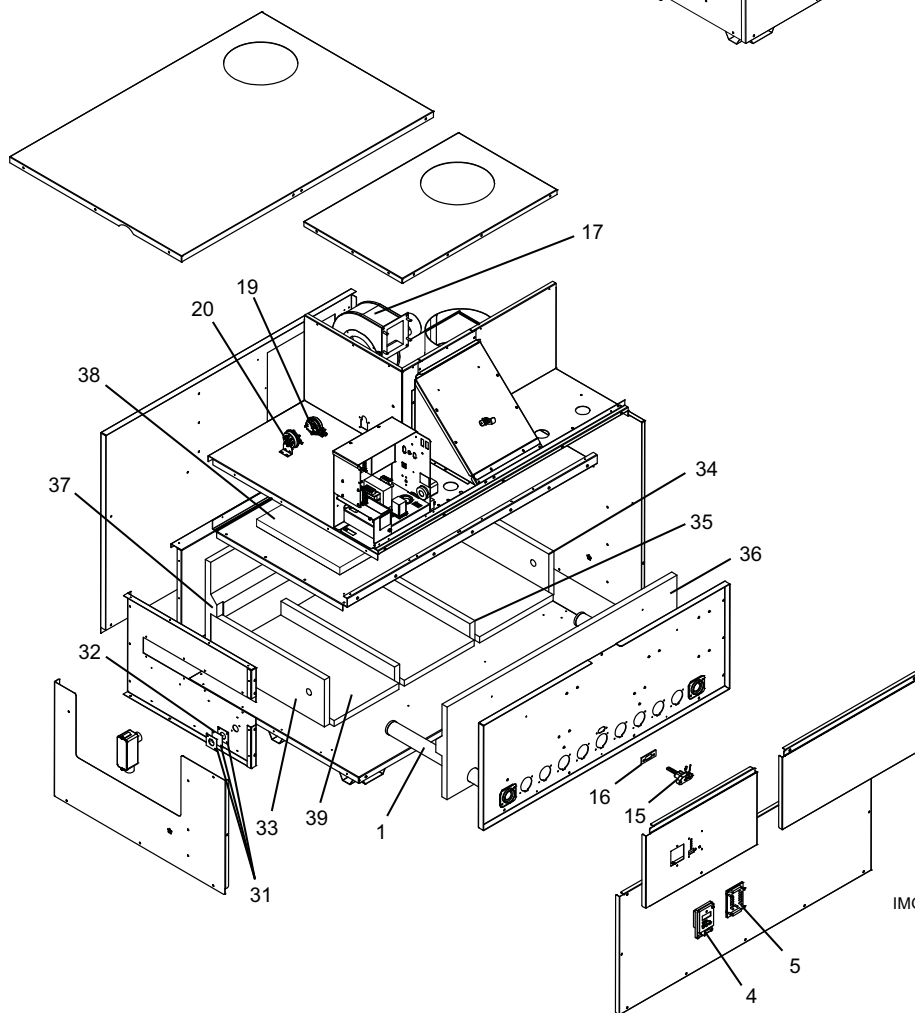


Replacement Parts List

Genesis™ Water Heaters Models 1000 - 2100

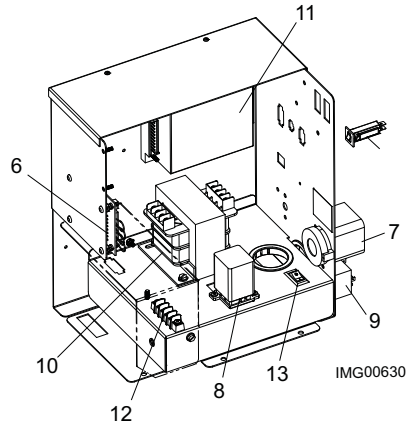


IMG00628

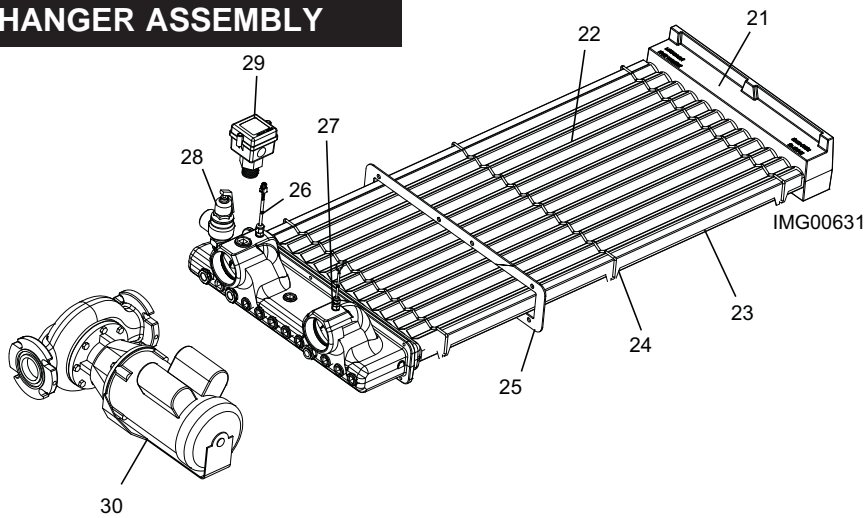


IMG00629

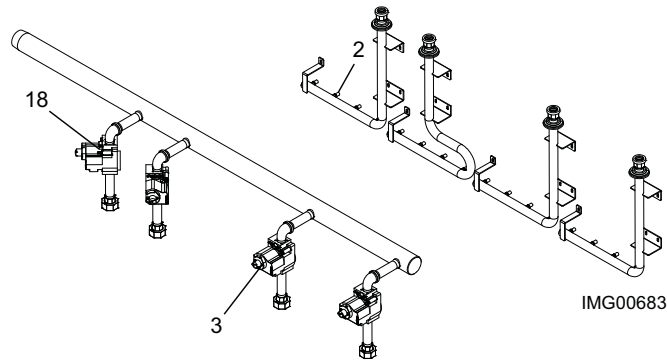
CONTROL PANEL ASSEMBLY



HEAT EXCHANGER ASSEMBLY



GAS TRAIN ASSEMBLY



ITEM NO.	PART NO.	DESCRIPTION	MODEL NO.
----------	----------	-------------	-----------

BURNERS

1
100112908 is Main Burner

100112909 is Main Burner
w/ compression fitting.

MODEL	100112908	100112909
1000	10 ea	1 ea
1250	13 ea	1 ea
1450	15 ea	1 ea
1800	19 ea	1 ea
2100	22 ea	1 ea

PLEASE HAVE MODEL AND SERIAL NUMBER WHEN ORDERING PARTS

ITEM NO.	PART NO.	DESCRIPTION	MODEL NO.
GAS TRAIN ASSEMBLIES			
2	100112910	ORIFICE, NAT	ALL
2	100112911	ORIFICE, LP	ALL
3	100112910	GAS VALVE, NAT	ALL
3	100112911	GAS VALVE, LP	ALL
CONTROLS & GAUGES			
4	100112838	ELECTRONIC TEMP CONTROL	ALL
5	100112839	DISPLAY BOARD	ALL
6	100112840	BOARD, CONNECTOR	ALL
7	100113108	HIGH LIMIT , MANUAL RESET	ALL
8	100112841	RELAY,24 VAC	ALL
9	100112842	RELAY,24 VOLT COIL	ALL
10	100112843	TRANSFORMER, 150VA	ALL
11	100112844	IGNITION MODULE	ALL
12	100112930	TERMINAL STRIP	ALL
13	100112846	SWITCH, ON / OFF	ALL
14	100112916	CIRCUIT BREAKER, 7 AMP	ALL
15	100112851	HOT SURFACE IGNITOR	ALL
16	100112852	GASKET, IGNITOR	ALL
17	100112847	FAN ASSEMBLY	1000-1450
17	100112917	FAN ASSEMBLY	1800 & 2100
18	100112918	PRESSURE SWITCH, GAS, NAT ONLY	ALL
19	100112919	PRESSURE SWITCH	1000
19	100112849	PRESSURE SWITCH	1250
19	100112920	PRESSURE SWITCH	1450
19	100112921	PRESSURE SWITCH	1800
19	100112922	PRESSURE SWITCH	2100
20	100112849	PRESSURE SWITCH	ALL
HEAT EXCHANGERS			
21	100112923	HEAT EXCHANGER, HLW (BEFORE 4-1-2017)	1000
21	100112924	HEAT EXCHANGER, HLW (BEFORE 4-1-2017)	1250
21	100112925	HEAT EXCHANGER, HLW (BEFORE 4-1-2017)	1450
21	100112926	HEAT EXCHANGER, HLW (BEFORE 4-1-2017)	1800
21	100112927	HEAT EXCHANGER, HLW (BEFORE 4-1-2017)	2100
21	100147317	HEAT EXCHANGER, H (BEGINNING 4-1-2017)	1000
21	100147318	HEAT EXCHANGER, H (BEGINNING 4-1-2017)	1250
21	100147319	HEAT EXCHANGER, H (BEGINNING 4-1-2017)	1450
21	100147320	HEAT EXCHANGER, H (BEGINNING 4-1-2017)	1800
21	100147321	HEAT EXCHANGER, H (BEGINNING 4-1-2017)	2100
22	100112933	V-BAFFLE (11 REQ)	1000
22	100112934	V-BAFFLE (11 REQ)	1250
22	100112935	V-BAFFLE (11 REQ)	1450
22	100112936	V-BAFFLE (11 REQ)	1800
22	100112937	V-BAFFLE (11 REQ)	2100
23	100112914	FRAME RUNNER (2 REQ)	1000
23	100112915	FRAME RUNNER (2 REQ)	1250
23	100112931	FRAME RUNNER (2 REQ)	1450
23	100112928	FRAME RUNNER (2 REQ)	1800
23	100112929	FRAME RUNNER (2 REQ)	2100
24	100112938	RETAINER V-BAFFLE (3 REQ)	ALL
25	100112939	GASKET, FRONT HEADER	ALL
26	100112870	SENSOR, DUAL IMMERSION, OUTLET	ALL
27	100112940	SENSOR, IMMERSION, INLET	ALL
28	100112873	RELIEF VALVE, TEMPERATURE & PRESSURE	ALL
29	100112867	FLOW SWITCH, OUTDOOR	ALL
29	100112868	FLOW SWITCH, INDOOR	ALL
PUMPS			
30	100112941	PUMP	ALL

PLEASE HAVE MODEL AND SERIAL NUMBER WHEN ORDERING PARTS

ITEM NO.	PART NO.	DESCRIPTION	MODEL NO.
MISCELLANEOUS (CONTINUED)			
31	100112876	SIGHT GLASS AND GASKET KIT	ALL
32	100112877	GASKET, SIGHT GLASS	ALL
-	100112907	GASKET, STRIP 45"	ALL
-	100112942	FILTER	ALL
-	100112882	GASKET, BURNER	ALL
-	100112981	SENSOR, TANK	ALL
-	100113041	BULBWELL	ALL
-	100112943	LOW WATER CUT-OFF, MANUAL RESET (OPTIONAL)	ALL
-	100112944	LOW WATER CUT-OFF, AUTO RESET (OPTIONAL)	ALL
-	100112945	LOW WATER CUT-OFF PROBE (OPTIONAL)	ALL
-	100112946	LOW WATER CUT-OFF BOOT (OPTIONAL)	ALL
LOCH-HEAT TILE			
33	100112947	LOCH-HEAT TILE, FRONT HEAD SIDE	ALL
34	100112948	LOCH-HEAT TILE, REAR HEAD SIDE	ALL
35	100112949	LOCH-HEAT TILE, DIVIDER	ALL
36	100112950	LOCH-HEAT TILE, FRONT DOOR	1000
36	100112951	LOCH-HEAT TILE, FRONT DOOR	1250
36	100112952	LOCH-HEAT TILE, FRONT DOOR LEFT	1450
36	100112953	LOCH-HEAT TILE, FRONT DOOR RIGHT	1450
36	100112954	LOCH-HEAT TILE, FRONT DOOR LEFT	1800
36	100112955	LOCH-HEAT TILE, FRONT DOOR RIGHT	1800
36	100112956	LOCH-HEAT TILE, FRONT DOOR LEFT	2100
36	100112957	LOCH-HEAT TILE, FRONT DOOR RIGHT	2100
37	100112958	LOCH-HEAT TILE, BACK	1000
37	100112959	LOCH-HEAT TILE, BACK	1250
37	100112960	LOCH-HEAT TILE, BACK LEFT	1450
37	100112961	LOCH-HEAT TILE, BACK LEFT	1800
37	100112962	LOCH-HEAT TILE, BACK LEFT	2100
37	100112963	LOCH-HEAT TILE, BACK RIGHT	1450-2100
38	100112964	INSULATION PAD, TOP	1000
38	100112965	INSULATION PAD, TOP	1250
38	100112966	INSULATION PAD, TOP	1450
38	100112967	INSULATION PAD, TOP	1800
38	100112968	INSULATION PAD, TOP	2100
39	100112969	LOCH-HEAT TILE, LEFT BOTTOM	1000
39	100112970	LOCH-HEAT TILE, MIDDLE BOTTOM	1000
39	100112971	LOCH-HEAT TILE, RIGHT BOTTOM	1000
39	100112972	LOCH-HEAT TILE, LEFT BOTTOM	1250
39	100112970	LOCH-HEAT TILE, MIDDLE BOTTOM (2)	1250
39	100112973	LOCH-HEAT TILE, RIGHT BOTTOM	1250
39	100112974	LOCH-HEAT TILE, LEFT BOTTOM	1450
39	100112970	LOCH-HEAT TILE, MIDDLE BOTTOM (2)	1450
39	100112975	LOCH-HEAT TILE, RIGHT BOTTOM	1450
39	100112976	LOCH-HEAT TILE, LEFT BOTTOM	1800
39	100112970	LOCH-HEAT TILE, MIDDLE BOTTOM (3)	1800
39	100112977	LOCH-HEAT TILE, RIGHT BOTTOM	1800
39	100112978	LOCH-HEAT TILE, LEFT BOTTOM	2100
39	100112970	LOCH-HEAT TILE, MIDDLE BOTTOM (3)	2100
39	100112979	LOCH-HEAT TILE, MIDDLE BOTTOM (1)	2100
39	100112980	LOCH-HEAT TILE, RIGHT BOTTOM	2100

PLEASE HAVE MODEL AND SERIAL NUMBER WHEN ORDERING PARTS