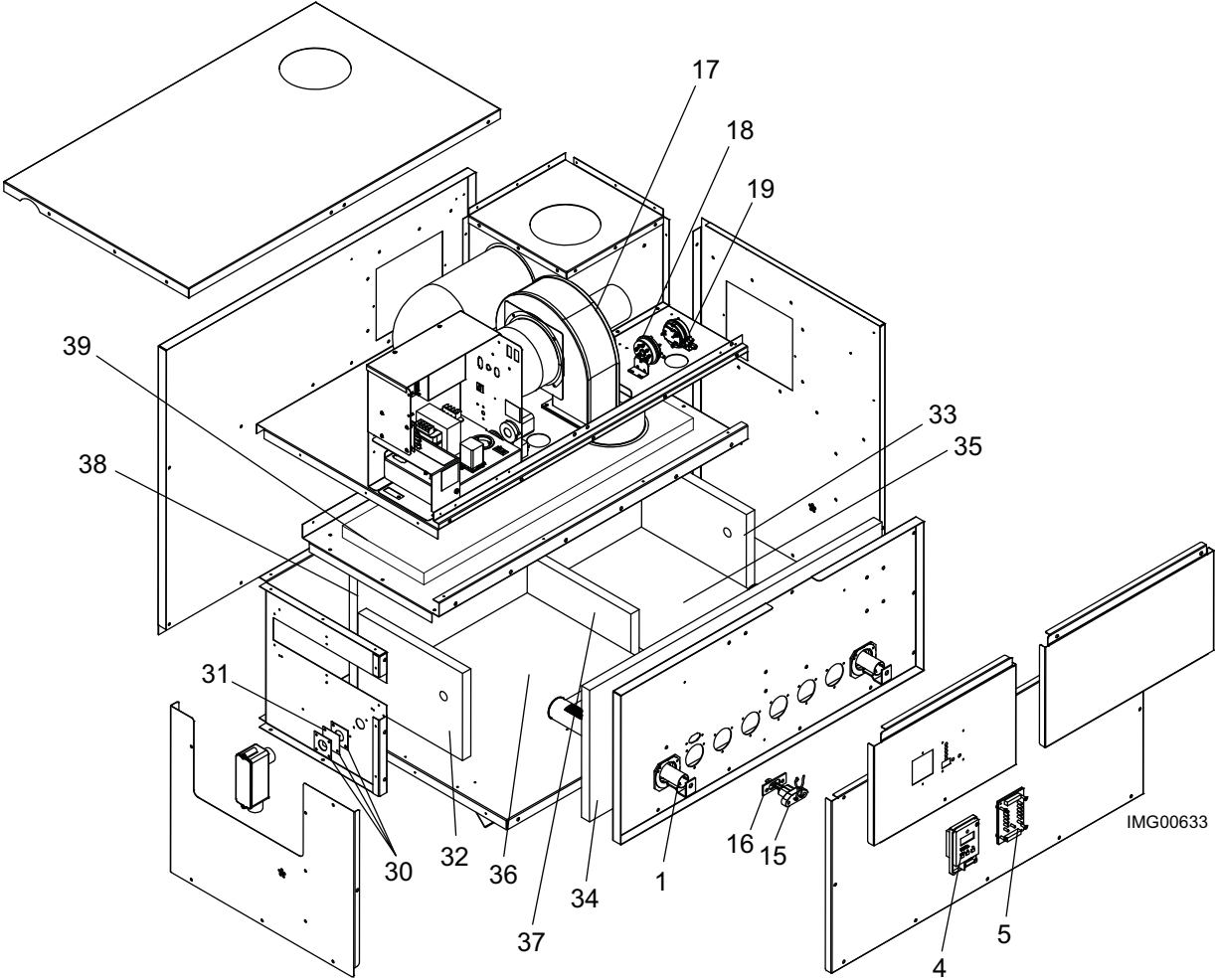
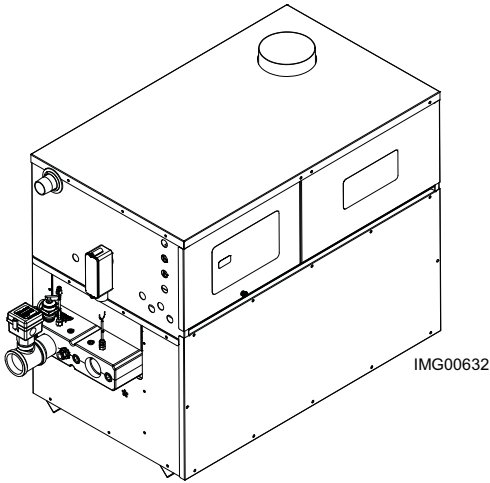
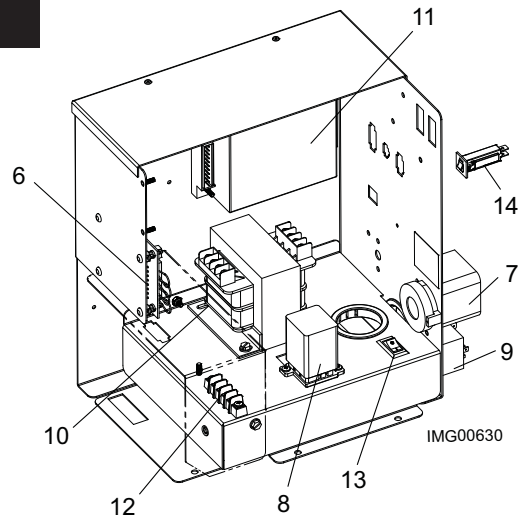


Replacement Parts List

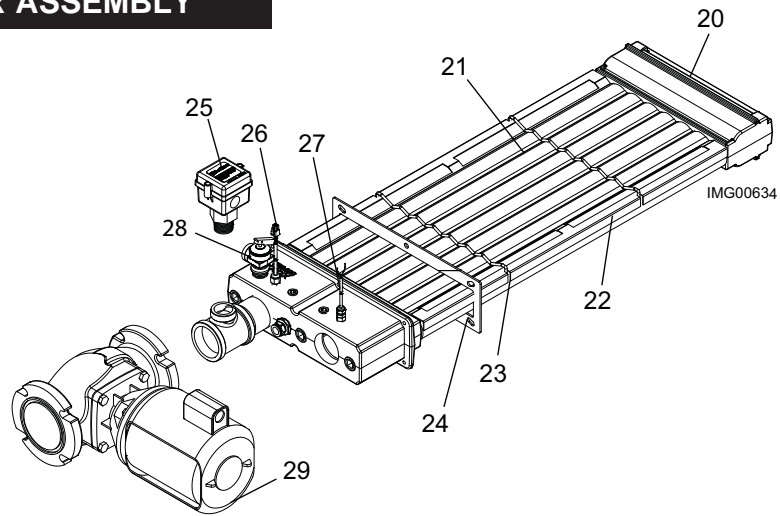
Genesis™ Water Heaters Models 400 - 750



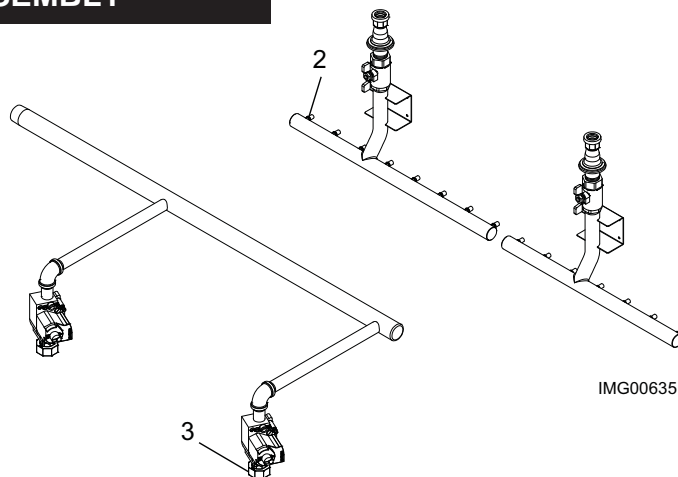
CONTROL PANEL ASSEMBLY



HEAT EXCHANGER ASSEMBLY



GAS TRAIN ASSEMBLY



ITEM NO.	PART NO.	DESCRIPTION	MODEL NO.
----------	----------	-------------	-----------

Burners

1	Model	100112833	100112832
	400	1 ea	7 ea
100112832 is Main Burner	500	1 ea	9 ea
100112833 is Main Burner w/ compression fitting.	650	1 ea	12 ea
	750	1 ea	14 ea

PLEASE HAVE MODEL AND SERIAL NUMBER WHEN ORDERING PARTS

ITEM NO.	PART NO.	DESCRIPTION	MODEL NO.
GAS TRAIN ASSEMBLIES			
2	100112834	ORIFICE, NAT	400 & 500
2	100112809	ORIFICE, NAT	650 & 750
2	100112835	ORIFICE, LP	ALL
3	100112836	GAS VALVE ASSEMBLY, NAT	ALL
3	100112837	GAS VALVE ASSEMBLY, LP	ALL
CONTROLS & GAUGES			
4	100112838	ELECTRONIC TEMP CONTROL	ALL
5	100112839	DISPLAY BOARD	ALL
6	100112840	BOARD, CONNECTOR	ALL
7	100113108	HIGH LIMIT, MANUAL RESET	ALL
8	100112841	RELAY, 24 VAC, FAN	ALL
9	100112842	RELAY, 24 VAC, PUMP	ALL
10	100112843	TRANSFORMER, 150 VA	ALL
11	100112844	IGNITION MODULE	ALL
12	100112930	TERMINAL STRIP	ALL
13	100112846	SWITCH, ON/OFF	ALL
14	100112916	CIRCUIT BREAKER, 7AMP	ALL
15	100112851	HOT SURFACE IGNITOR	ALL
16	100112852	GASKET, IGNITOR	ALL
17	100112847	FAN ASSEMBLY	ALL
18	100112849	PRESSURE SWITCH	ALL
19	100112850	PRESSURE SWITCH	ALL
HEAT EXCHANGER			
20	100112857	HEAT EXCHANGER HLW (BEFORE 4-1-2017)	400
20	100112858	HEAT EXCHANGER HLW (BEFORE 4-1-2017)	500
20	100112859	HEAT EXCHANGER HLW (BEFORE 4-1-2017)	650
20	100112860	HEAT EXCHANGER HLW (BEFORE 4-1-2017)	750
20	100147343	HEAT EXCHANGER, H (BEGINNING 4-1-2017)	400
20	100147344	HEAT EXCHANGER, H (BEGINNING 4-1-2017)	500
20	100147347	HEAT EXCHANGER, H (BEGINNING 4-1-2017)	650
20	100147349	HEAT EXCHANGER, H (BEGINNING 4-1-2017)	750
21	100112861	V-BAFFLE (5 REQ)	400
21	100112862	V-BAFFLE (5 REQ)	500
21	100112863	V-BAFFLE (5 REQ)	650
21	100112864	V-BAFFLE (5 REQ)	750
22	100112803	V-BAFFLE FRAME RUNNER (2 REQ)	400
22	100112804	V-BAFFLE FRAME RUNNER (2 REQ)	500
22	100112807	V-BAFFLE FRAME RUNNER (2 REQ)	650
22	100112808	V-BAFFLE FRAME RUNNER (2 REQ)	750
23	100112865	V-BAFFLE RETAINER (2 REQ)	ALL
24	100112866	GASKET, HEAT SHIELD	ALL
25	100112867	FLOW SWITCH, OUTDOOR	ALL
25	100112868	FLOW SWITCH, INDOOR	ALL
26	100112870	SENSOR, DUAL IMMERSION, OUTLET	ALL
27	100112940	SENSOR, IMMERSION, INLET	ALL
28	100112872	RELIEF VALVE, TEMPERATURE & PRESSURE	ALL
PUMP			
29	100112875	PUMP	ALL
MISCELLANEOUS			
30	100112876	SIGHT GLASS KIT	ALL
31	100112877	GASKET, SIGHT GLASS	ALL
PLEASE HAVE MODEL AND SERIAL NUMBER WHEN ORDERING PARTS			

ITEM NO.	PART NO.	DESCRIPTION	MODEL NO.
MISCELLANEOUS (CONTINUED)			
-	100112907	GASKET, STRIP	ALL
-	100112879	FILTER	ALL
-	100112882	GASKET, BURNER	ALL
LOCH-HEAT® TILE			
32	100112883	LOCH-HEAT TILE, FRONT HEAD SIDE	ALL
33	100112884	LOCH-HEAT TILE, REAR HEAD SIDE	ALL
34	100112885	LOCH-HEAT TILE, FRONT DOOR	400
34	100112886	LOCH-HEAT TILE, FRONT DOOR	500
34	100112887	LOCH-HEAT TILE, FRONT DOOR	650
34	100112888	LOCH-HEAT TILE, FRONT DOOR	750
35	100112889	LOCH-HEAT TILE, RIGHT BOTTOM	400
35	100112890	LOCH-HEAT TILE, RIGHT BOTTOM	500
35	100112891	LOCH-HEAT TILE, RIGHT BOTTOM	650
35	100112892	LOCH-HEAT TILE, RIGHT BOTTOM	750
36	100112895	LOCH-HEAT TILE, LEFT BOTTOM	400
36	100112890	LOCH-HEAT TILE, LEFT BOTTOM	500
36	100112896	LOCH-HEAT TILE, LEFT BOTTOM	650
36	100112894	LOCH-HEAT TILE, LEFT BOTTOM	750
37	100112897	LOCH-HEAT TILE, DIVIDER	ALL
38	100112898	LOCH-HEAT TILE, BACK	400
38	100112899	LOCH-HEAT TILE, BACK	500
38	100112900	LOCH-HEAT TILE, BACK	650
38	100112901	LOCH-HEAT TILE, BACK	750
39	100112902	INSULATION PAD, TOP	400
39	100112903	INSULATION PAD, TOP	500
39	100112904	INSULATION PAD, TOP	650
39	100112905	INSULATION PAD, TOP	750
PLEASE HAVE MODEL AND SERIAL NUMBER WHEN ORDERING PARTS			