

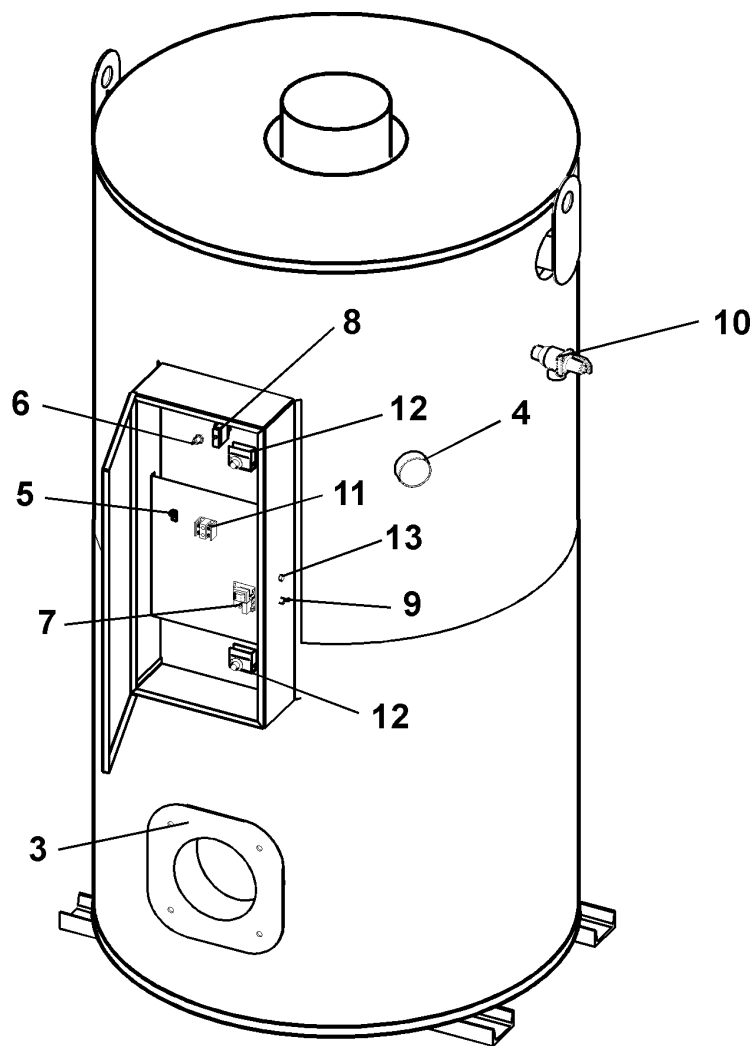
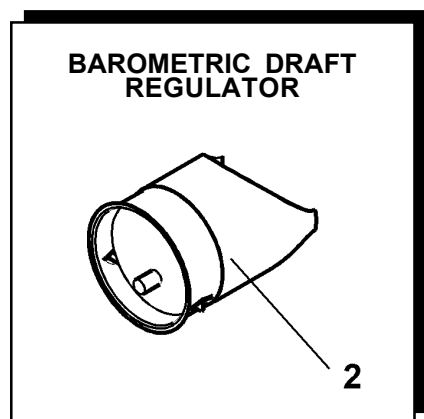
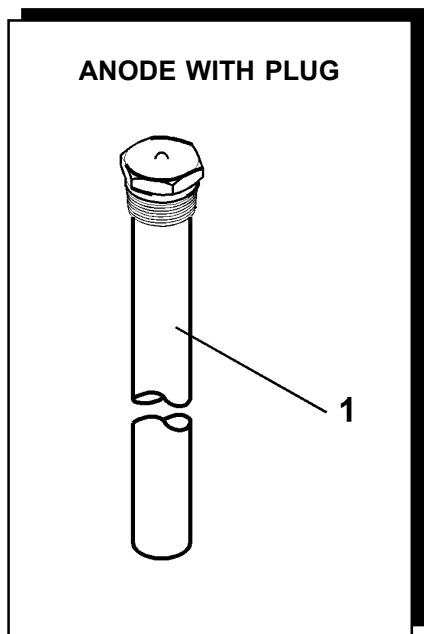
**A.O. SMITH**  
**WATER PRODUCTS**  
**COMPANY**

**GAS/OIL**

**COMMERCIAL POWER BURNER**  
**TANK TYPE WATER HEATER**  
**REPLACEMENT PARTS LIST**

**MODELS:**

- BTP/COF/COBT 150-140 THRU 150-720
- BTP/COF/COBT 200-300 THRU 200-1500
- BTP/COF/COBT 300-300 THRU 300-1500
- BTP/COF/COBT 400-600 THRU 500-2500
- BTP/COF/COBT 600-700 THRU 600-2500



**A.O. SMITH WATER PRODUCTS COMPANY**

5621 W. 115Th Street, Alsip, IL 60803

Phone: 800-433-2545 • Fax: 800-433-2545

Website: [www.hotwater.com](http://www.hotwater.com) • E-mail: [parts@hotwater.com](mailto:parts@hotwater.com)

Item	Description	Qty.	Part number
1	Anode Plug		
	BTP/COF/COBT 150-140 thru 150-720	2	06900229
	BTP/COF/COBT 200-700 thru 200-800 and		
	BTP/COF/COBT 300-300 THRU 300-800	3	06900229
	BTP/COF/COBT 200-1000 thru 200-1500,		
	BTP/COF/COBT 300-1000 thru 300-1500 and		
	BTP/COF/COBT 400-600 thru 400-1250	4	06900229
	BTP/COF/COBT 400-1500 thru 400-2000	5	06900229
	BTP/COF/COBT 600-720 thru 600-2500	6	06900229
2	Barometric Draft Regulator		
	BTP/COF/COBT 150-140	1	060005005
	BTP/COF/COBT 150-199, 150-270		
	BTP/COF/COBT 200-300, 300-300	1	06005006
	BTP/COF/COBT 150-400	1	06005007
	BTP/COF/COBT 150-540, 200-600 and		
	BTP/COF/COBT 300-600, 400-600	1	06005008
	BTP/COF/COBT 150-720, 200-800,		
	BTP/COF/COBT 200-1000, 300-800,		
	BTP/COF/COBT 300-1000, 400-800,		
	BTP/COF/COBT 400-1000, 600-720 and		
	BTP/COF/COBT 600-1000	1	06005010
	BTP/COF/COBT 200-1250, 200-1500,		
	BTP/COF/COBT 300-1250, 300-1500,		
	BTP/COF/COBT 400-1250, 400-1500,		
	BTP/COF/COBT 600-1250, 600-1500	1	06005012
	BTP/COF/COBT 400-1750, 400-2000,		
	BTP/COF/COBT 600-1750, 600-2000	1	06005014
	BTP/COF/COBT 500-2250, 500-2500,		
	BTP/COF/COBT 600-2250, 600-2500	1	06005016
3	Gasket, Burner		
	HSG 200/400	1	10001119
	J15A-10, J30A-12	1	10001119
	CR2-G-15, CR2-G-20A	1	10001117
4	Gauge, Pressure & Temperature	1	06401008
5	Ground, Lug	1	4800-2
6	Probe, Low Water Cut-Off	1	5106
7	Relay, Low Water Cut-Off	1	4600-11
8	Switch, High Limit-Manual Reset 220°F		
	BTP/COF/COBT 600-720 / 600-2500	1	03500110
	All Other Models	1	10002512
	Well (See Above)	1	03500000
9	Switch, Pilot (On/Off) 120V	1	10002508
10	Temperature & Pressure Valve (125lbs.)		
	140,000 BTU thru 255,000 BTU	1	5235
	255,000 BTU thru 1,000,000 BTU	1	1206-125
	1,200,000 BTU thru 2,000,000 BTU	1	01207125
	2,200,000 BTU thru 2,500,000 BTU	1	01208125
11	Terminal Strip	1	02600022
12	Thermostat Range 94°F to 194°F		310008-A
13	Pilot Light	1	04700012

For Burner Parts, Refer to Burner O & M Manual.

**A. O. SMITH**  
**WATER PRODUCTS**  
**COMPANY**

5621 W. 115Th Street, Alsip, IL 60803  
Phone: 800-433-2545 • Fax: 800433-2515  
Website: [www.hotwater.com](http://www.hotwater.com) • E-mail: [parts@hotwater.com](mailto:parts@hotwater.com)