

WATER HEATER WALL MOUNTING INSTRUCTION

WHAT YOU WILL DO:

The following instructions explain how to mount a 6, 15 or 20 gallon water heater to a wall.

TOOLS NEEDED:

- 1/2" Box End Wrench
- Phillips Screwdriver
- Socket Wrench with Hex Attachment

PARTS LIST:

This Wall Kit Part Number 160934-000 consists of the following items:

- Carriage Bolts (QTY. 2)
- Wall Brackets (QTY. 2)
- Mounting Plate (QTY. 1)
- Hex Nuts (QTY. 2)
- Sheet Metal Screws (QTY. 3)
- Instruction Sheet (QTY. 1)
- Lock Washers (QTY. 2)

NOTE:

Fasteners "X" are not supplied with kit due to wall material variations. Lag bolts into wall joist (for plaster wall) are recommended. Suitable threaded plugs with bolts for cement, brick or block are recommended.



INSTRUCTIONS:

1. This step is for 6 thru 15 gallon models only. Use a Phillips Screwdriver and Socket Wrench with Hex Attachment to assemble the Wall Brackets using parts as illustrated below. See Figure 1.

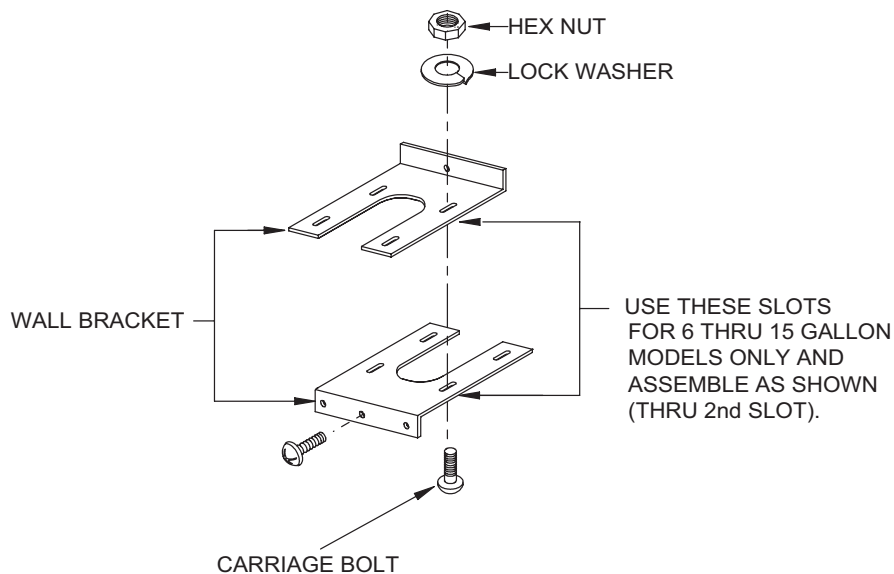


FIGURE 1.

INSTRUCTIONS CONTINUE ON NEXT PAGE

2. This step is for 20 gallon models only. Use a Socket Wrench with Hex Attachment to assemble the Wall Brackets using parts as illustrated below. See Figure 2.

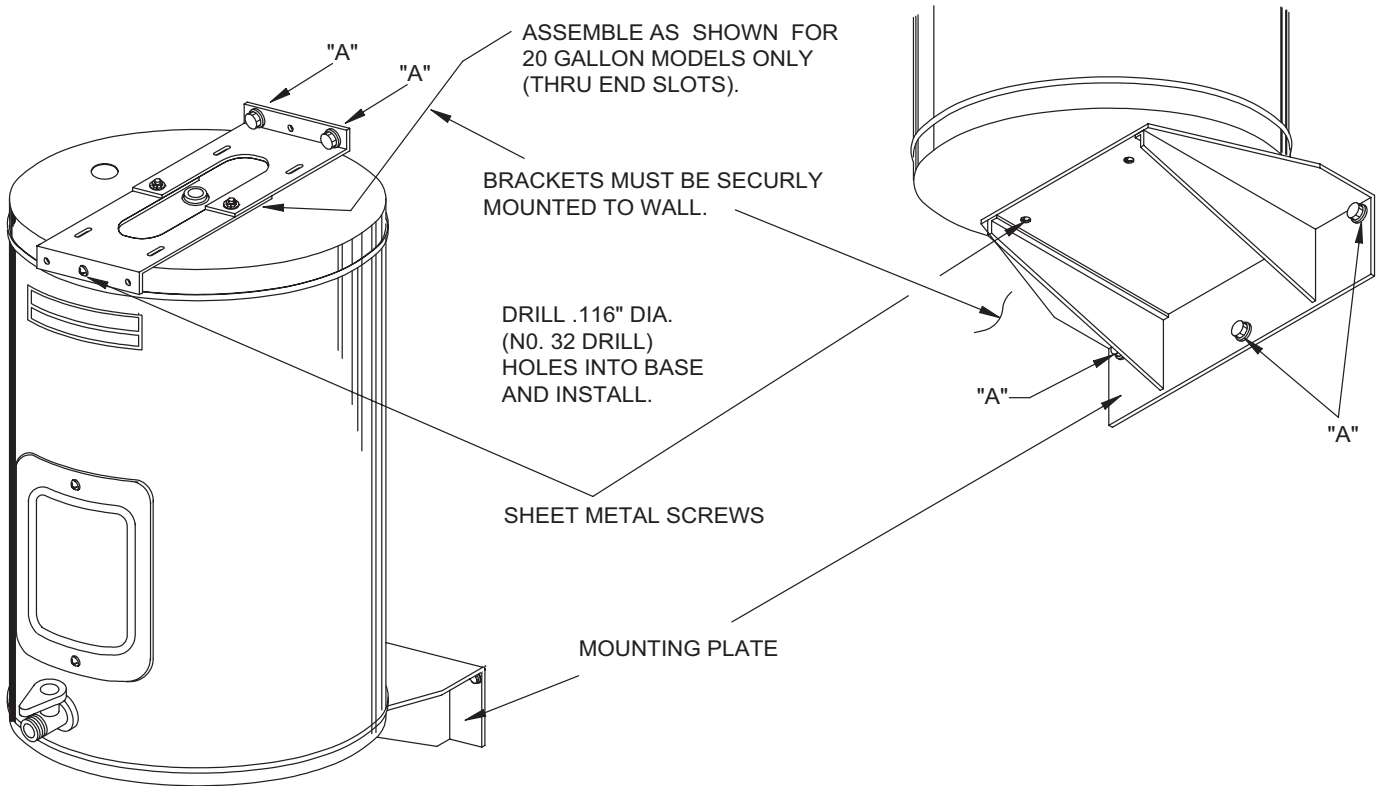


FIGURE 2.