

# ST

## Storage tank

**ST - 300/400/500/600/750/1000**

**ST - 1500/2000/2500/3000**



Storage tank • PermaGlas Ultra Coat second-generation glass coating technology prevents corrosion • ST 300: Three adjustable legs facilitate easy installation • ST 400-1000: Insulated ring base • Insulated access cover for comprehensive waterside maintenance • Replaceable magnesium anode • Options: Flexible magnesium anode for installation in confined areas • Powered anode for reduced maintenance requirements • Temperature and pressure valve with stainless steel spring set to 95°C and a maximum water pressure of (7 bar) 700 kPa • Analogue temperature gauge (0-120°C) • Unvented kits • Destratification pump kit • Flowstore heat pack

# Technical specifications

		ST 300	ST 400	ST 500	ST 600	ST 750	ST 1000	ST 1500	ST 2000	ST 2500	ST 3000	
<b>Technical data</b>												
Storage capacity	L	308	405	499	678	763	1055	1550	1880	2500	2820	
Maximum working pressure tank	kPa (bar)	1000 (10)						800 (8)				
Maximum operating temperature tank	°C	95										
Standby loss	kWh/24u	1.32	1.60	1.88	1.85	2.03	2.19	7.20	8.50	9.60	11.00	
<b>Shipping data</b>												
Weight empty	kg	93	99	131	179	201	262	325	350	485	520	
Maximum weight	kg	401	504	630	857	964	1317	1875	2230	2985	3340	
Weight incl. packaging	kg	104	110	142	190	212	274	415	440	575	610	
Width packaging	mm	780	780	780	870	870	1010	1170	1170	1498	1498	
Height packaging	mm	1510	1850	2150	1930	2150	2100	2060	2248	2120	2195	
Depth packaging	mm	780	780	780	870	870	1010	1426	1426	1680	1680	

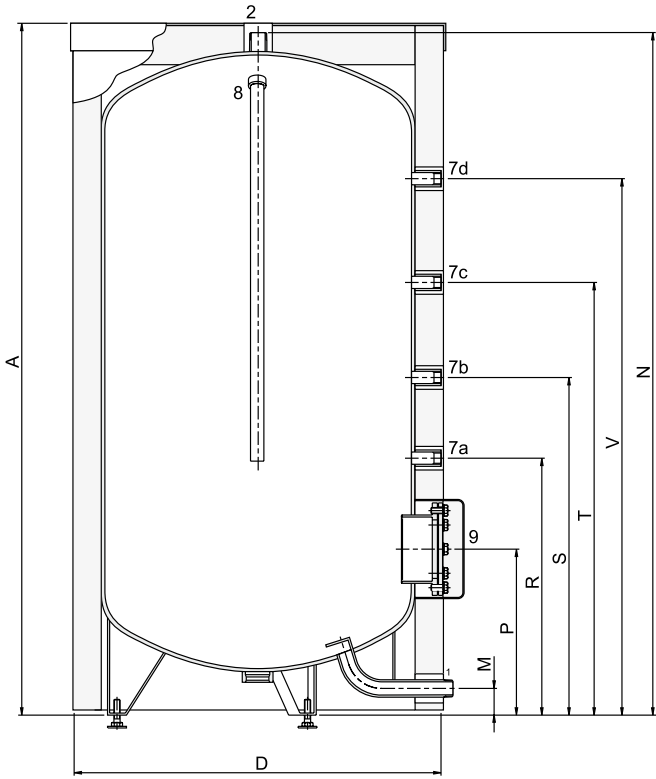
# Dimensions

		ST 300	ST 400	ST 500	ST 600	ST 750	ST 1000	ST 1500	ST 2000	ST 2500	ST 3000	
A	Total height	mm	1370	1705	2040	1835	2030	2000	1930	2118	2000	2128
D		mm	720	720	720	910	910	1060	1100	1100	1400	1400
M		mm	75	70	70	85	85	95	135	135	183	183
N	Hot water connection	mm	1310	1650	1990	1797	1992	1962	1930	2118	2000	2128
O		mm	115	115	115	180	180	180	110	110	110	110
Ox	°	-	60	60	60	60	60	45	45	45	45	
P		mm	330	410	410	493	493	530	450	450	530	530
R		mm	500	270	270	315	315	360	385	385	465	465
S		mm	655	348	348	400	400	445	485	485	565	565
T		mm	840	425	425	485	485	530	585	585	665	665
U		mm	-	510	510	650	650	700	710	747	790	790
V		mm	1045	826	995	1040	1080	1100	950	1044	980	1044
W		mm	-	1094	1348	1255	1374	1351	1190	1341	1220	1270
X		mm	-	1362	1700	1466	1662	1592	1515	1703	1495	1623
1	Cold water	-	R1	R2	R2	R2 <sup>1/2</sup>	R2 <sup>1/2</sup>	R2 <sup>1/2</sup>	R2	R2	R2	R2
2	Hot water	-	R1	R2	R2	R2 <sup>1/2</sup>	R2 <sup>1/2</sup>	R2 <sup>1/2</sup>	R2	R2	R2	R2
7	Connection	-	Rp <sup>3/4</sup>	Rp <sup>3/4</sup>	Rp <sup>3/4</sup>	Rp <sup>3/4</sup>	Rp <sup>3/4</sup>	Rp <sup>3/4</sup>	Rp <sup>1/4</sup>	Rp <sup>1/4</sup>	Rp <sup>1/4</sup>	Rp <sup>1/4</sup>
7a	Connection	-	-	-	-	-	-	-	Rp <sup>3/4</sup>	Rp <sup>3/4</sup>	Rp <sup>3/4</sup>	Rp <sup>3/4</sup>
8	Anode connection	-	Rp <sup>1/4</sup>	Rp <sup>1/4</sup>	Rp <sup>1/4</sup>	Rp <sup>1/4</sup>	Rp <sup>1/4</sup>	Rp <sup>1/4</sup>	Rp <sup>3/4</sup>	Rp <sup>3/4</sup>	Rp <sup>3/4</sup>	Rp <sup>3/4</sup>
11	Connection	-	-	Rp2	Rp2	Rp2	Rp2	Rp2	Rp2	Rp2	Rp2	Rp2
12	Connection	-	-	Rp2	Rp2	Rp2	Rp2	Rp2	Rp2	Rp2	Rp2	Rp2
13	Connection temperature sensor	-	-	Rp <sup>1/4</sup>	Rp <sup>1/4</sup>	Rp <sup>1/4</sup>	Rp <sup>1/4</sup>	Rp <sup>1/4</sup>	Rp <sup>1/4</sup>	Rp <sup>1/4</sup>	Rp <sup>1/4</sup>	Rp <sup>1/4</sup>
14	Connection	-	-	Rp2	Rp2	Rp2	Rp2	Rp2	Rp2	Rp2	Rp2	Rp2

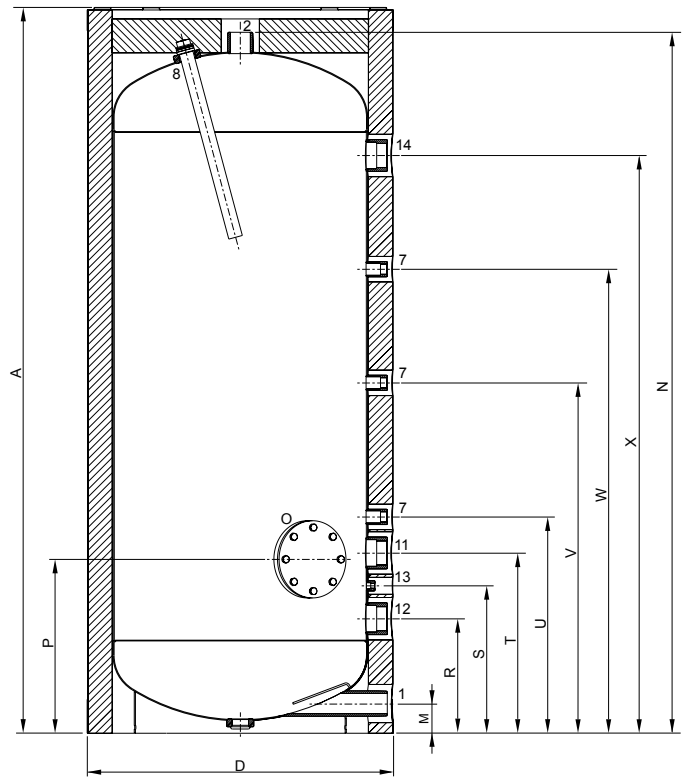
Dimensions in mm.

# Dimensions

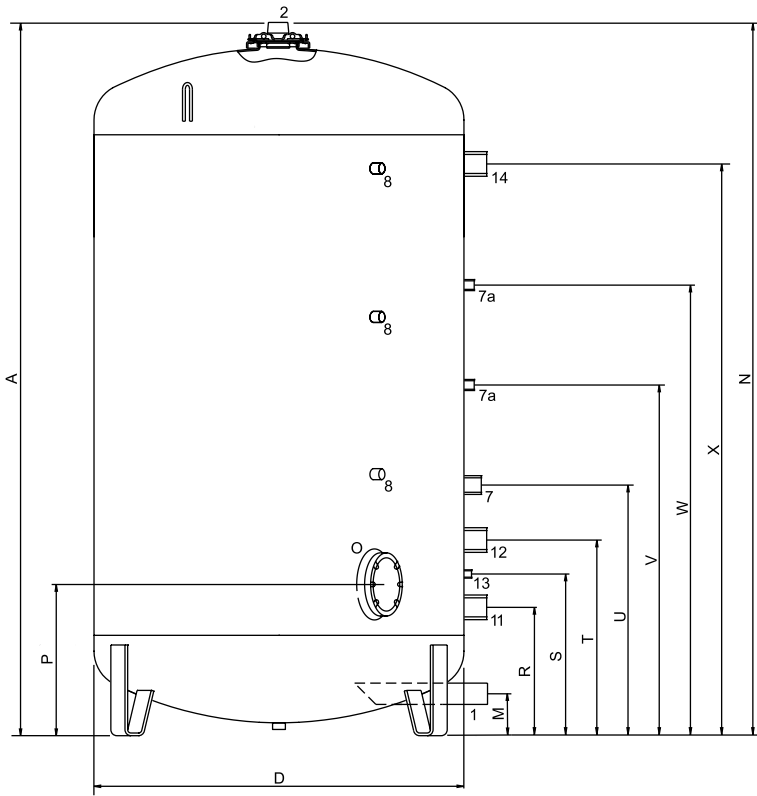
ST 300



ST 400-1000

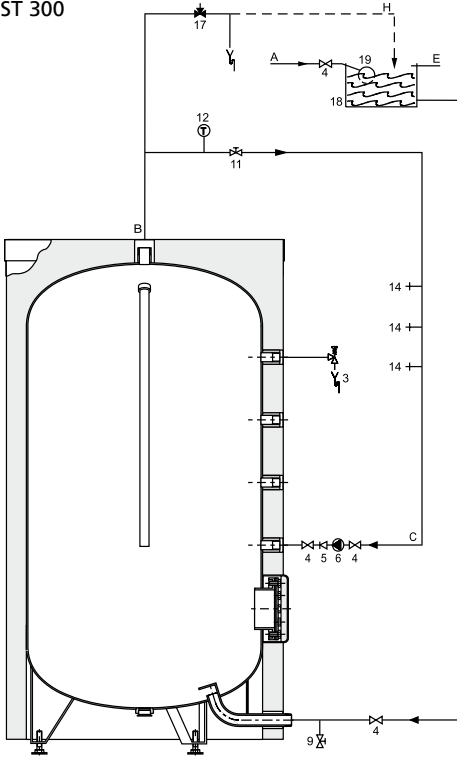


ST 1500-3000



# Installation diagrams

ST 300



- 1 Pressure reducing valve
- 3 T&P valve
- 4 Stop valve
- 5 Non-return valve
- 6 Circulation pump
- 9 Drain valve
- 11 Service valve
- 12 Temperature meter
- 14 Hot water tap
- 17 Three way valve
- 18 Water cistern
- 19 Float valve

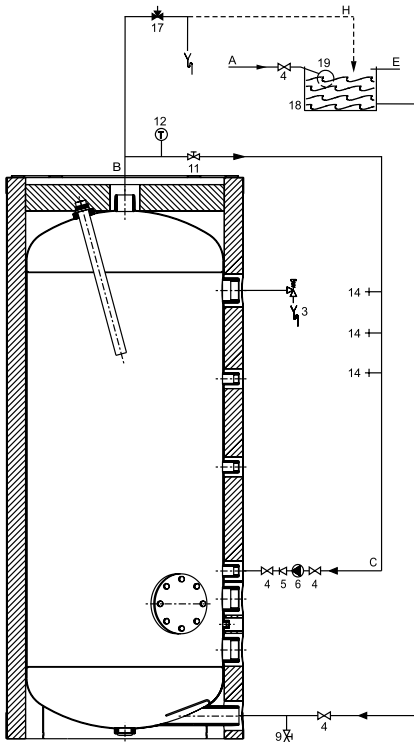
- A Cold water supply
- B Hot water outlet
- C Circulation pipe
- E Over flow pipe
- H Expansion pipe

The ST 1500-3000 is also available in unvented version.

A.O. Smith unvented system kits utilise combination valves.

Further installation and connection details can be found in the Installation & Commissioning Manual.

ST 400-1000



ST 1500-3000

