

IT

Indirect calorifier

IT - 300/400/500/600/750/1000

IT - 1500/2000/2500/3000



Indirect water heater (calorifier) for a wide range of applications

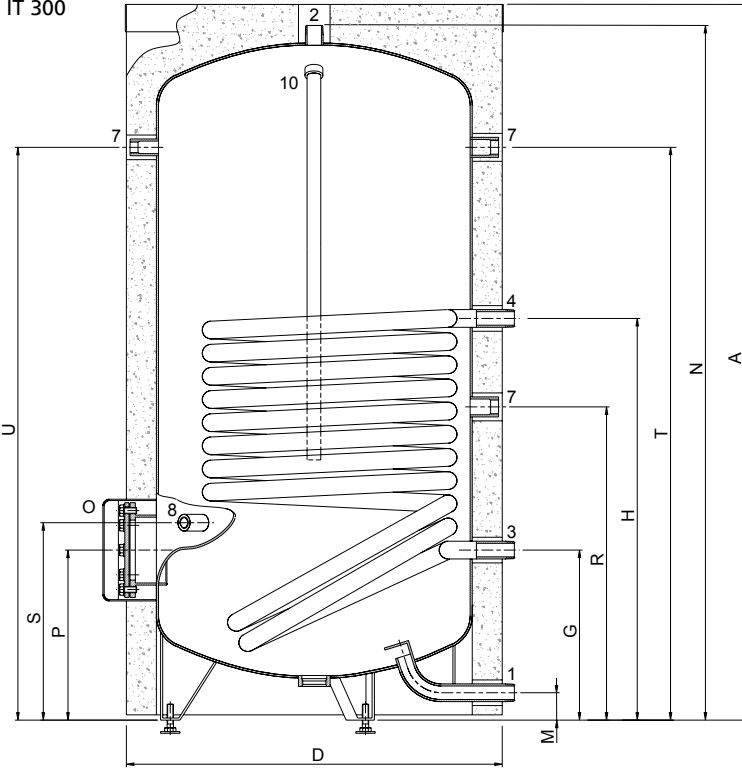
- Single-wall spiral heat exchanger • PermaGlas Ultra Coat second-generation glass coating technology prevents corrosion
- IT 300: Three adjustable legs facilitate easy installation
- IT 400-1000: Insulated ring base • Insulated access cover for comprehensive waterside maintenance • Replaceable magnesium anode • Options: Flexible magnesium anode for installation in confined areas • Powered anode for reduced maintenance requirements • Temperature and pressure valve with stainless steel spring set to 95°C and a maximum water pressure of (7 bar) 700 kPa • Analogue temperature gauge (0-120°C) • Electric element heat packs (3 - 36 kW) • Optional ancillaries: unvented kits • Destratification pump kit

Technical specifications

		IT 300	IT 400	IT 500	IT 600	IT 750	IT 1000	IT 1500	IT 2000	IT 2500	IT 3000	
Technical data												
Output coil	kW	46	78	100	104	112	145	147	147	156	156	
Surface area coil	m ²	1.47	2.45	3.11	3.45	3.72	4.82	5.20	5.20	6.00	6.00	
Water capacity coil	l	8.9	14.8	18.8	29.3	31.6	40.9	40.0	40.0	45.0	45.0	
Flow rate coil (80-60°C)	l/h	1978	3345	4300	4472	4816	6235	6485	6485	6871	6871	
Pressure drop coil	mbar	56	244	489	104	128	259	830	830	695	695	
Maximum working pressure tank	(bar) kPa	(10) 1000						(8) 800				
Maximum working pressure coil	(bar) kPa	(16) 1600						(6) 600				
Maximum operating temperature tank	°C	95						85				
Maximum operating temperature coil	°C	110						90				
Draw-off capacity												
T _{cold} = 10°C / T _{set} = 80°C												
Storage capacity	l	296	385	473	643	725	1007	1550	1800	2550	2800	
30 min. ΔT=44°C	l	781	1176	1482	1733	1908	2557	3151	3470	4494	4813	
60 min. ΔT=44°C	l	1231	1938	2459	2749	3002	3974	4461	4779	5882	6200	
90 min. ΔT=44°C	l	1680	2701	3436	3766	4097	5391	5770	6089	7270	7588	
120 min. ΔT=44°C	l	2130	3463	4413	4782	5192	6808	7080	7398	8658	8976	
Continuous ΔT=44°C	l/h	899	1525	1955	2033	2189	2834	2619	2619	2775	2775	
Heating-up time ΔT=44°C	min.	20	15	15	19	20	21	36	41	55	61	
30 min. ΔT=50°C	l	688	1035	1304	1525	1679	2250	2773	3053	3955	4235	
60 min. ΔT=50°C	l	1083	1706	2164	2420	2642	3497	3926	4206	5176	5456	
90 min. ΔT=50°C	l	1479	2377	3024	3314	3605	4744	5078	5358	6398	6678	
120 min. ΔT=50°C	l	1874	3047	3884	4208	4569	5991	6233	6510	7619	7899	
Continuous ΔT=50°C	l/h	791	1342	1720	1789	1926	2494	2305	2305	2442	2442	
Heating-up time ΔT=50°C	min.	22	17	16	22	23	24	40	47	63	69	
30 min. ΔT=55°C	l	625	941	1185	1386	1526	2046	2521	2776	3596	3850	
60 min. ΔT=55°C	l	985	1551	1967	2200	2402	3179	3569	3823	4706	4960	
90 min. ΔT=55°C	l	1344	2160	2749	3013	3278	4313	4616	4871	5816	6070	
120 min. ΔT=55°C	l	1704	2770	3531	3826	4153	5447	5664	5919	6926	7181	
Continuous ΔT=55°C	l/h	719	1220	1564	1626	1751	2267	2095	2095	2220	2220	
Heating-up time ΔT=55°C	min.	25	19	18	24	25	27	44	52	69	76	
Shipping data												
Weight empty	kg	117	139	180	241	254	336	398	426	576	600	
Maximum weight	kg	413	524	653	884	979	1343	1948	2226	3126	3400	
Weight incl. packaging + jacket	kg	128	153	201	251	260	348	488	526	686	720	
Width packaging	mm	780	780	780	870	870	1010	1170	1170	1498	1498	
Height packaging	mm	1510	1850	2150	1930	2150	2100	2060	2248	2120	2195	
Depth packaging	mm	780	780	780	870	870	1010	1426	1426	1680	1680	

Dimensions

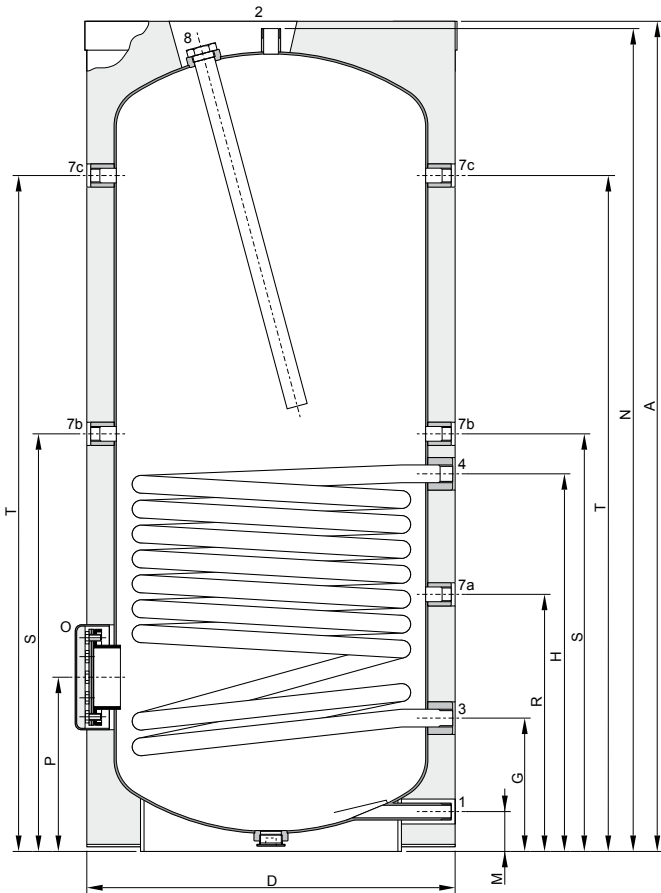
IT 300



		IT 300
A		1370
D		720
G		325
H		765
M		75
N		1310
O		115
P		325
R		595
S		375
T		1115
U		1115
1	Cold water	R1
2	Hot water	R1
3	Outlet coil	Rp1
4	Inlet coil	Rp1
7	Connection	Rp¾
8	Connection immersion well	Rp½
10	Anode connection	R1

Dimensions in mm.

IT 400-1000

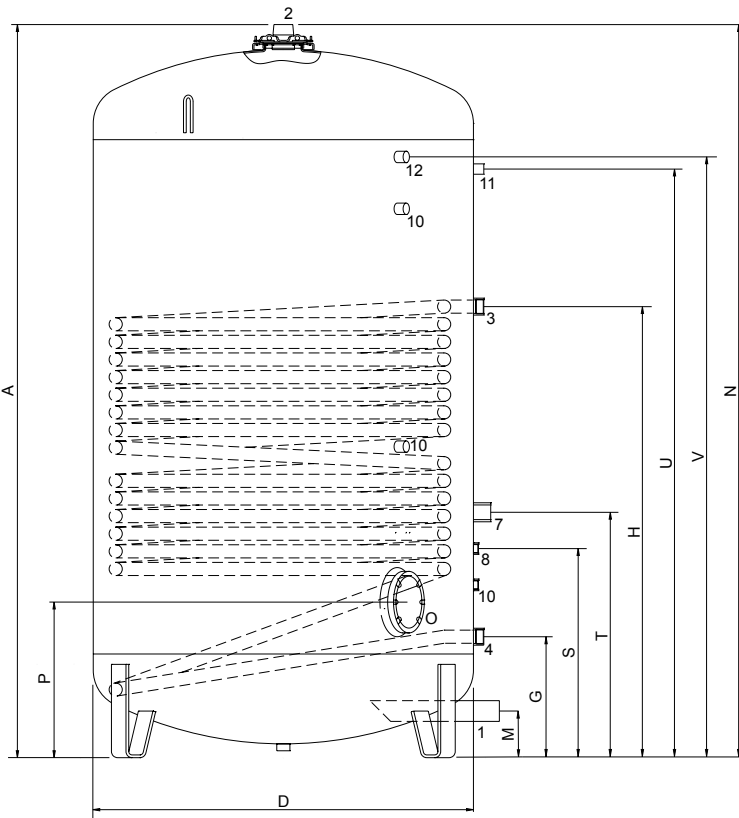


		IT 400	IT 500	IT 600	IT 750	IT 1000
A		1705	2040	1835	2030	2000
D		720	720	910	910	1060
G		255	255	305	305	345
H		1010	1205	1145	1205	1305
M		70	70	85	85	95
N		1650	1990	1795	1990	1960
O		115	115	180	180	180
P		330	330	415	415	445
R		500	500	650	650	700
S		1095	1290	1235	1295	1395
T		1360	1700	1475	1670	1600
1	Cold water	R2	R2	R2½	R2½	R2½
2	Hot water	R2	R2	R2½	R2½	R2½
3	Outlet coil	Rp1	Rp1	Rp1	Rp1¼	Rp1¼
4	Inlet coil	Rp1	Rp1	Rp1	Rp1¼	Rp1¼
7	Connection	Rp¾	Rp¾	Rp¾	Rp¾	Rp¾
8	Connection immersion well	Rp1¼	Rp1¼	Rp1¼	Rp1¼	Rp1¼

Dimensions in mm.

Dimensions

IT 1500-3000

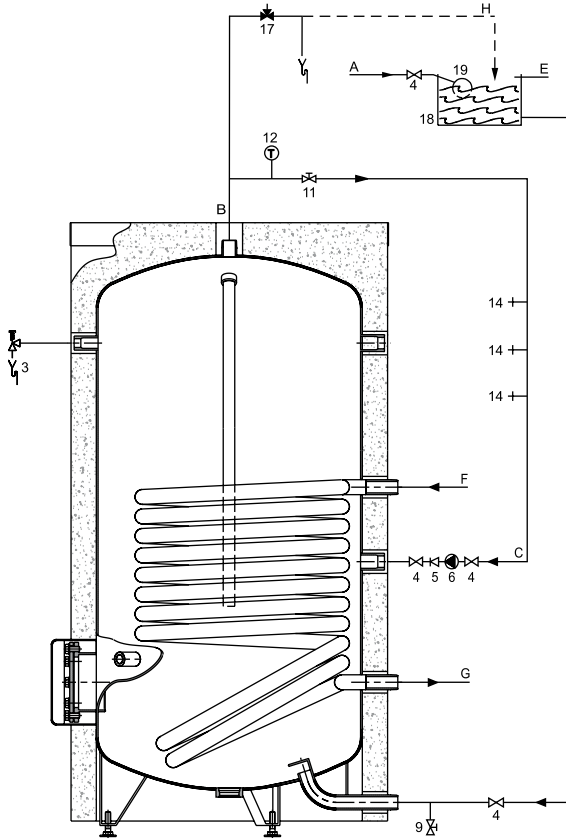


	IT 1500	IT 2000	IT 2500	IT 3000
A	1880	2068	1939	2068
	1930	2118	1989	2118
D	1100	1100	1400	1400
	1200	1200	1500	1500
G	350	350	430	430
H	1305	1305	1283	1283
M	135	135	183	183
N	1930	2118	1989	2118
O	110	110	110	110
P	425	425	510	510
R1	500	500	580	580
R2	950	950	980	980
R3	1400	1588	1430	1559
S	605	605	685	685
T	710	710	790	790
U	1515	1703	1530	1624
V	1550	1738	1530	1659
1	Cold water		R 2	
2	Hot water		R 2	
3	Inlet coil		Rp1¼	
4	Outlet coil		Rp1¼	
7	Connection		Rp1¼	
8	Connection immersion well		Rp¾	
10	Anode connection		Rp¾	
11	Service valve		Rp1	
12	Temperature meter		Rp¾	
Dimensions in mm.				



Installation diagrams

IT 300



- 2 Protected cold supply setup
- 3 T&P valve
- 4 Stop valve
- 5 Non-return valve
- 6 Circulation pump

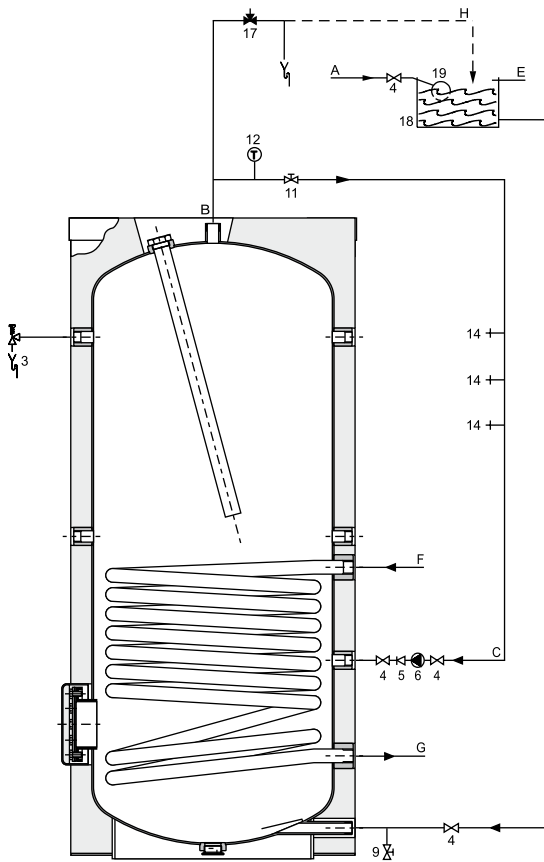
- A Cold water supply
- B Hot water outlet
- C Circulation pipe
- F Primary flow
- G Primary return

The IT 300 and 400-1000 is also available in unvented version.

A.O. Smith unvented system kits utilise combination valves.

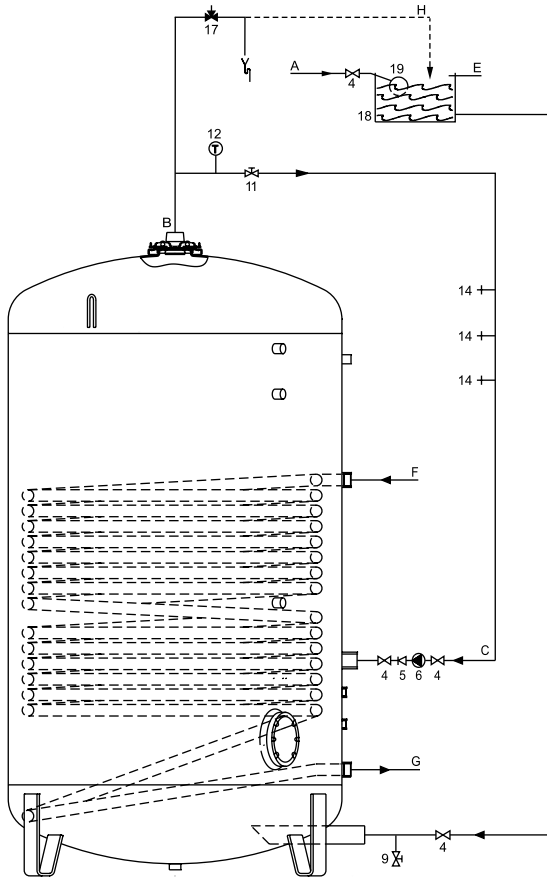
Further installation and connection details can be found in the Installation & Commissioning Manual.

IT 400-1000



Installation diagrams

IT 1500-3000



- 3 T&P valve
- 4 Stop valve
- 5 Non-return valve
- 6 Circulation pump
- 9 Drain valve
- 11 Service valve
- 12 Temperature meter
- 14 Hot water tap
- 17 Three way valve
- 18 Water cistern
- 19 Float valve

- A Cold water supply
- B Hot water outlet
- C Circulation pipe
- F Primary flow
- G Primary return
- E Over flow pipe
- H Expansion pipe

The IT 1500-3000 is also available in unvented version.

A.O. Smith unvented system kits utilise combination valves.

Further installation and connection details can be found in the Installation & Commissioning Manual.