



CUSTOM HD STORAGE TANK QUOTE REQUEST FORM

(*Required Fields)

*Company Name _____
 *CompanyContact _____
 *Phone# _____
 *Fax# _____
 *E-mail: _____
 *PO # _____
 *Job Name _____
 *City _____ State _____ Zip _____

Storage Tank Specifications

*Storage Required: _____ Gallons *Working Pressure: 125___ 150___
 *Tank Lining: Glass___ Cement___ Epoxy___ Unlined___
 *Type: Vertical___ Horizontal___ Saddles: Factory welded ___ Shipped Loose ___
 *Surface: Bare___ Jacketed & Insulated___ (Round max dims 52" x 124") Spray Foam___
 Restrictions: Max. Height___ Max. Length___ Max. Width ___

(Note: Standard model tanks will be used unless otherwise noted.)

Tank Options

Note: All Storage Tanks come with the following openings as standard equipment: (3) Circulation, (1) Temp. Sensors, (1) Hot water outlet, (1) Drain, (1) T&P

Special Tappings (indicate on attached drawings):

NPT: Size ___" Quantity _____ Flanged: Size ___" Quantity _____

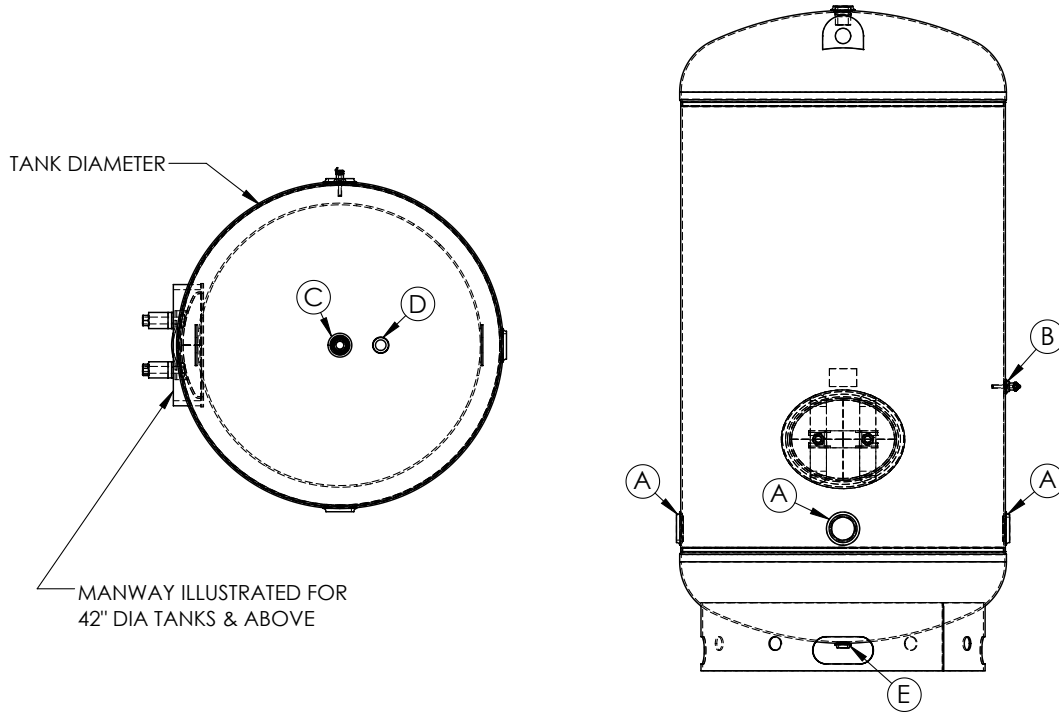
Other Options:

Manholes (12x16)___ ** see below
 Hand-hole (4x6)___
 T&P Gauge___ (Jacketed Tank)
 Lifting Lugs___
 Coils___ (please complete the Coils section on the Custom HD Tanks Submittal)
 Other (list in Notes & Sp. Req)___
 Drawing Attached: Y___N___ Specification Attached: Y___ N___

Notes & Special Requirements: _____

****The manhole is optional on 28" to 36" diameter glass lined tanks.**
The manhole is standard on 42" and larger glass lined tanks.
The manhole is standard on all cement and epoxy lined tanks.

VERTICAL TANK



Base Model _____

PSI 125 or 150 _____

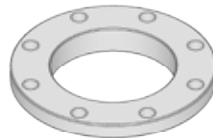
*Consult Factory For Additional Options

Standard Connections (Illustrated)			
Opening	Size	Description	QTY
A	3" NPT	Inlet / Circulating	3
B	3/4" NPT	Aquastat	1
C	2" NPT	Outlet	1
D	1-1/4" NPT	T&P (Relief Valve)	1
E	1"	Drain	1
F		Additional	
G		Additional	

Standard Connections (Illustrated)		
Size	QTY	Specify Fitting Type NPT Threaded or Bolting Flange



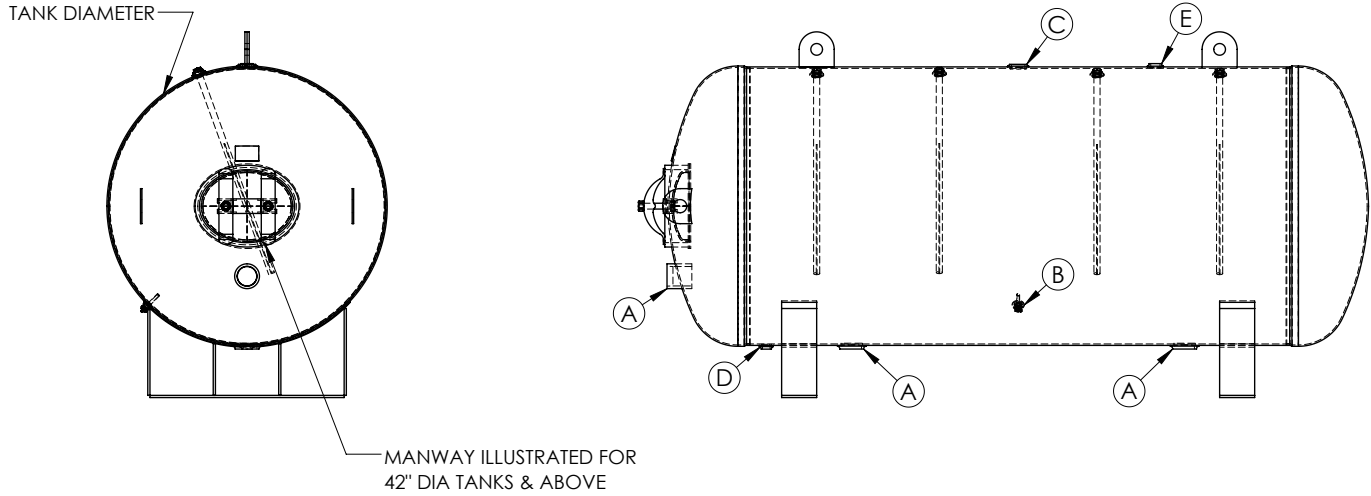
NPT THREAD



BOLTING FLANGE (FFSO, CL150)

DIR: 2000557168

HORIZONTAL TANK



Base Model _____

PSI 125 or 150

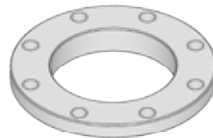
*Consult Factory For Additional Options

Standard Connections (Illustrated)			
Opening	Size	Description	QTY
A	3" NPT	Inlet / Circulating	3
B	3/4" NPT	Aquastat	1
C	2" NPT	Outlet	1
D	1" NPT	Drain	1
E	1-1/4" NPT	T&P (Relief Valve)	1
F		Additional	
G		Additional	

Alternate Additional Connections		
Size	QTY	Specify Fitting Type NPT Threaded or Bolting Flange



NPT THREAD



BOLTING FLANGE (FFSO, CL150)

DIR: 2000557168