



Date: December 20, 1999
Subject: Gas Water Heater Conversion Policy
To: All Accounts

No. 137 Rev. 2

* This supersedes all previous letters and field bulletins concerning residential and commercial water heater conversion.

GAS WATER HEATER CONVERSION POLICY

All A.O. Smith Water Products Company's residential and commercial gas water heaters are designed certified by CSA or UL, under ANSI Standards for operation on one type of gas only, as indicated on the water heater's model number and rating plate.

A.O. Smith realizes that there may be certain situations where a field conversion may be necessary and in order to facilitate such a conversion, A. O. Smith complies with CSA or UL regulations ensuring that a field conversion be appropriately and safely completed.

An improper field conversion from one type of gas to another could cause potentially dangerous conditions that may cause an explosion or fire resulting in property damage, bodily injury or both.

A.O. SMITH WILL ONLY ALLOW THE CONVERSION OF GAS WATER HEATERS FROM LP GAS (PROPANE) TO NATURAL GAS. THE CONVERSION OF A GAS WATER HEATER FROM NATURAL GAS TO LP GAS (PROPANE) IS NOT ALLOWED UNDER ANY CIRCUMSTANCES.

A.O. Smith will provide kits as demand warrants through our Parts Department, phone no. 1-800-433-2545. Prices, dimensions and specifications are subject to change without notice.

Each conversion kit is to be installed by an A.O. Smith service agent or a gas utility serviceman in accordance with A.O. Smith's written instructions and all codes and requirements of the authority having jurisdiction. Failure to follow instructions could result in serious injury or property damage. The utility performing this work assumes responsibility for this conversion.

Changing the Input on Gas Water Heaters

The only changes to the input of a gas water heater allowed are:

- Adjustments to match that shown on the rating plate of the heater. The installation instructions supplied with the heater indicate if adjustments to input are a required procedure.
- Changes made as required to adjust the heater for proper operation at high altitude as determined by a qualified service technician. Service manuals include the proper procedure for adjusting heaters at high altitudes.

Conversion of Gas Water Heaters

The conversion of LP gas (Propane) to Natural gas is ONLY allowed providing:

- The conversion is done as part of a gas utility's program where propane appliances were installed anticipating the completion of natural gas service to the area. The conversion must be done under the direct supervision of the utility and by their service representatives.

Claims of damage or injury arising from the unauthorized conversion of any A.O. Smith water heater not design certified for conversion will be the complete and total responsibility of the person or entity making the conversion.

If you have any questions regarding the above policy, please contact the A.O. Smith Parts Department at 1-800-433-2545 or our Technical Information Center at 1-800-527-1953.

A.O. SMITH WATER PRODUCTS CO., INC.
5621 W. 115TH STREET • ALSIP, ILLINOIS 60803
PHONE: 1-800-433-2545
FAX: 1-800-433-2515 • www.hotwater.com

A. O. SMITH

WATER PRODUCTS COMPANY

PSD-3-432

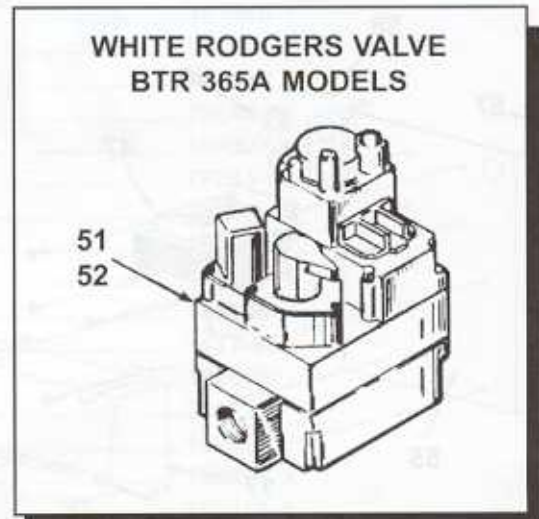
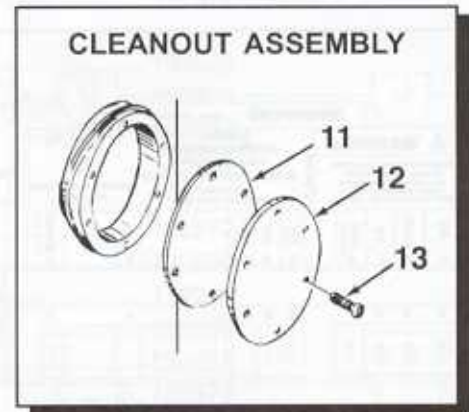
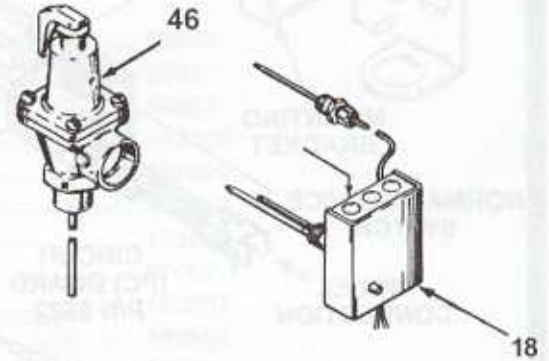
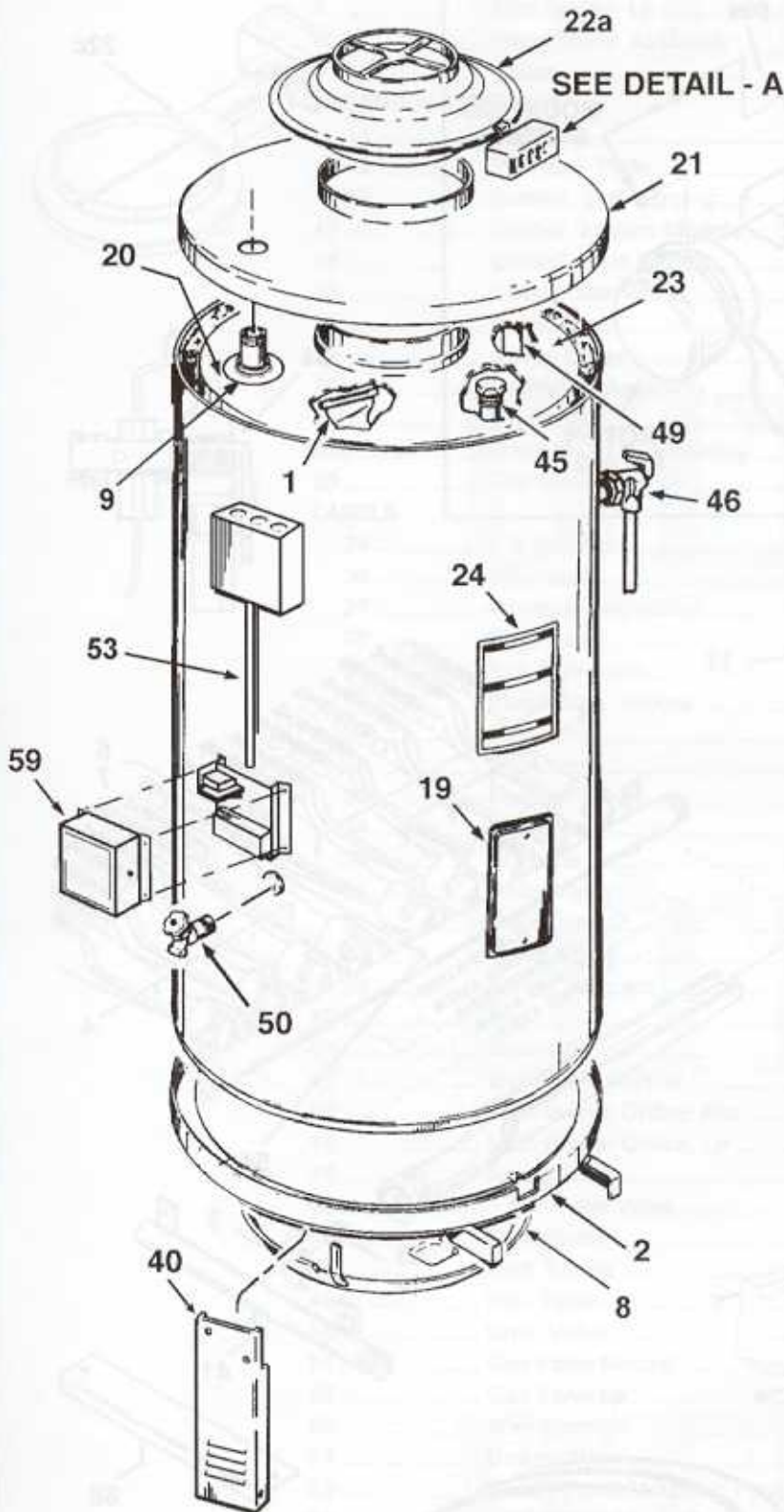
GAS

COMMERCIAL TANK TYPE WATER HEATER

REPLACEMENT PARTS LIST

MODELS BTR 365/A:

ASME - SERIES 108/109



A.O. SMITH WATER PRODUCTS CO., INC.

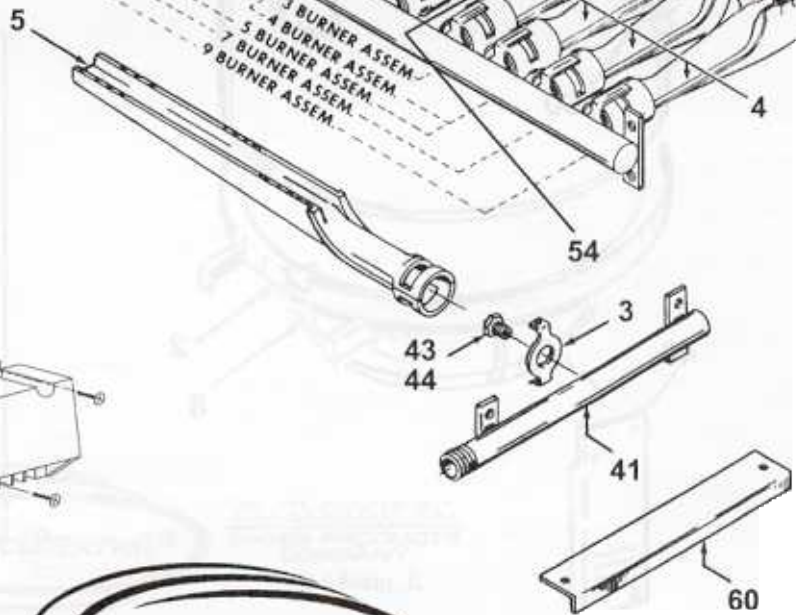
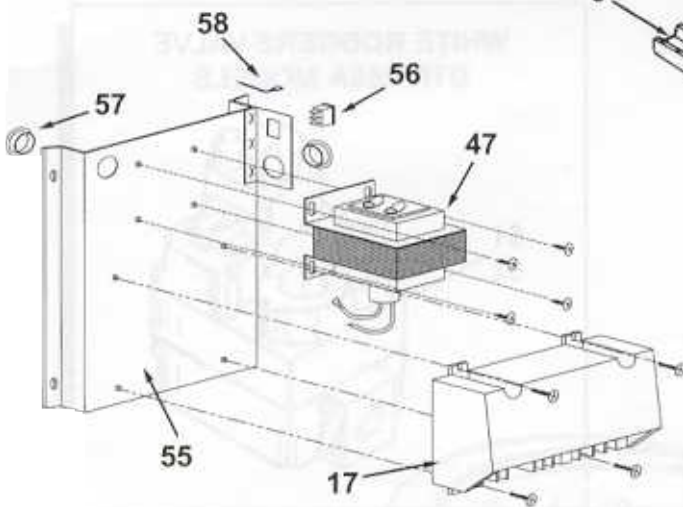
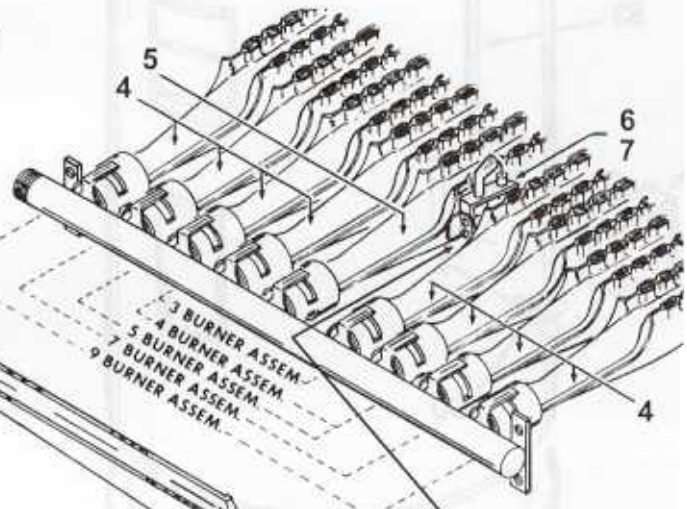
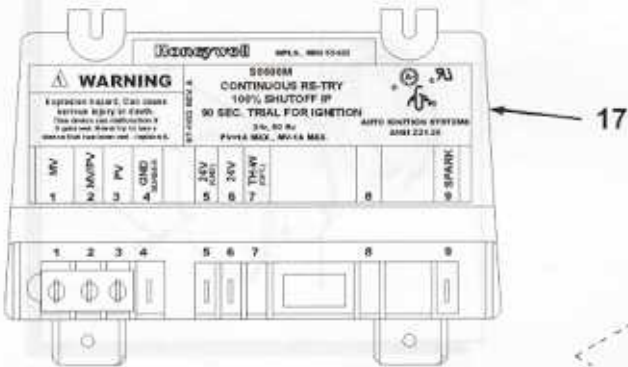
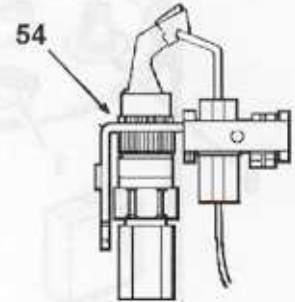
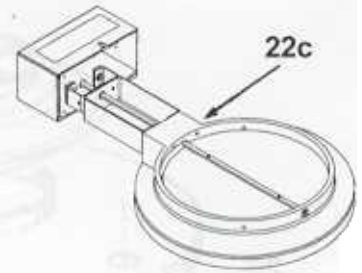
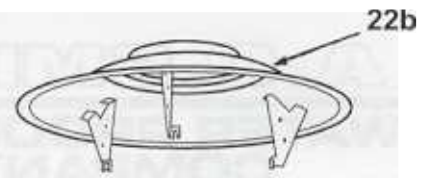
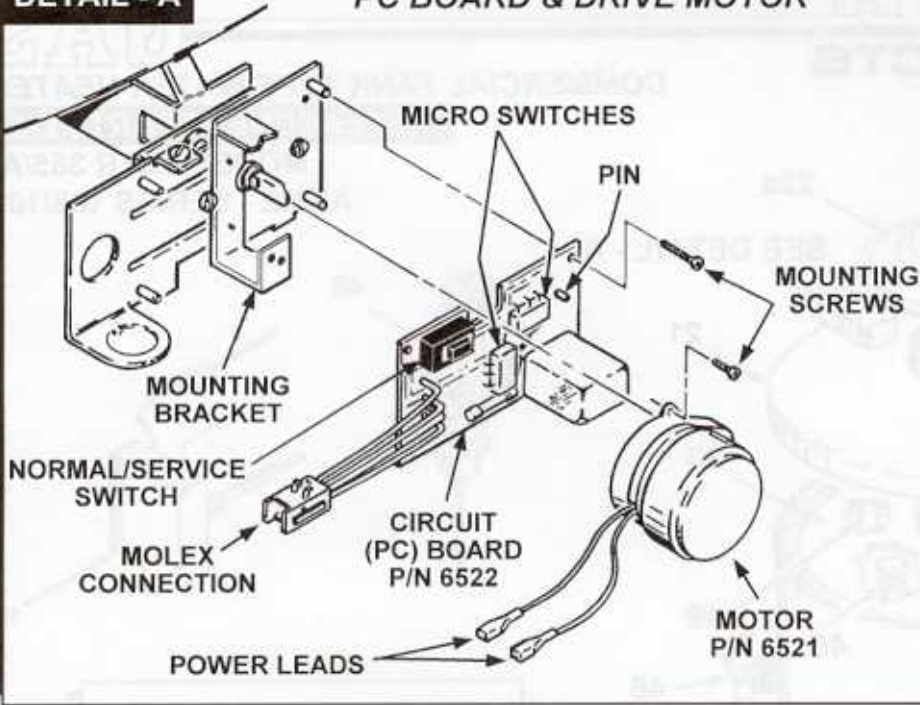
5621 W. 115TH STREET • ALSIP, ILLINOIS 60803

PHONE: 1-800-433-2545 • FAX: 1-800-433-2515

Website: WWW.HOTWATER.COM • EMAIL: PARTS@HOTWATER.COM

DETAIL - A

PC BOARD & DRIVE MOTOR



| | | |
|----------|-----------------------|------------------------|
| | | |
| 078466-0 | 99593-0 (.250 X .032) | 078469-0 (.250 X .032) |
| | | 192834-0 (.187 X .032) |



| ITEM | PARTS DESCRIPTION | BTR 365/A |
|--------------------------|-----------------------------|-----------|
| 1 | Flue Baffle | 193696 |
| 2 | Jacket Base | 193986 |
| 3 | Main Burner Orifice Bracket | 98044(9) |
| 4 | Main Burner | 98047 |
| 5 | Main Burner W/Pilot Bracket | 193873-1 |
| 6 | Pilot Burner, Natural | 193314-4 |
| 7 | Pilot Burner, Lp | 193314-3 |
| 8 | Floor Shield Assembly | 193984 |
| 9 | Collar | 74060 |
| CLEANOUT ASSEMBLY | | |
| 11 | Gasket | 99038 |
| 12 | Pressure Plate | 99037 |
| 13 | Screws, Self Tapping | 69852 |
| 17 | Control, Ignition Module | 193325 |
| 18 | Control, Dual W/Eco | 192828 |
| 19 | Cover, Cleanout | 181260 |
| 20 | Cover, Inner | 193608 |
| 21 | Jacket Cover | 97062-7 |
| 22a | Draft Hood Assembly | 193287 |
| 22b | Draft Hood | 193891 |
| 22c | Damper Drive Assembly | 193890 |
| 23 | Top Insulation | 192867 |
| LABELS | | |
| 24 | L & O Label | 193620 |
| 26 | Cleanout | 193914 |
| 27 | Bilingual Instruction | 193912 |
| 28 | Ultra Coat | 193860 |
| 29 | Eco Instruction | 193911 |
| 30 | Flammable Vapors | 192872 |
| 31 | Help Line | 190600 |
| 32 | Instruction | 170345 |
| 33 | Master Fit | 193859 |
| 34 | Pilot | 193915 |
| 35 | Propane | 182572 |
| 36 | Relief Valve | 200042 |
| 37 | Water Inlet | 161040 |
| 38 | Water Outlet | 161040-1 |
| 39 | Wiring Diagram | 193621 |
| 40 | Leg | 193826 |
| 41 | Manifold | 76244-4 |
| 42 | Instruction Manual | 194027 |
| 43 | Main Burner Orifice, Nat | 76243-32 |
| 44 | Main Burner Orifice, Lp | 76243-49 |
| 45 | Anode Rod | 180618-42 |
| 46 | T & P Relief Valve | 192467 |
| 47 | Transformer | 193444 |
| 48 | Pilot Tubing | 1417-60 |
| 49 | Inlet Tube | 192626 |
| 50 | Drain Valve | 26273-6 |
| 51 | Gas Valve Natural | 192827-2 |
| 52 | Gas Valve Lp | 192827-3 |
| 53 | Wire Conduit | 193456-1 |
| 54 | Ground Wire | 77948-7 |
| 55 | Switch Panel/Mounting Plate | 193448 |
| 56 | Off/On Switch | 193243 |
| 57 | Bushing | 193404 |
| 58 | Jumper Wire | 193476 |
| 59 | Control Box Panel | 193447 |
| 60 | Cover - Burner | 98185-4 |