

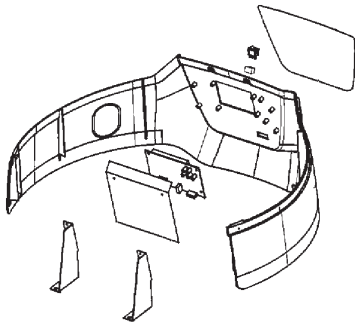


COMMERCIAL GAS SERVICE PARTS LIST

A.O. Smith Water Heater Parts Fulfillment
125 Southeast Parkway • Franklin, TN 37068
www.hotwater.com • 1-800-433-2545

MODELS:
BTH 120/A
BTH 150/A
BTH 199/A
BTH 250/A
Series:
100/101

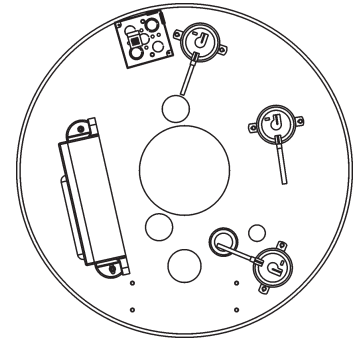
DISPLAY CONTROL ASSEMBLY
See Page 2



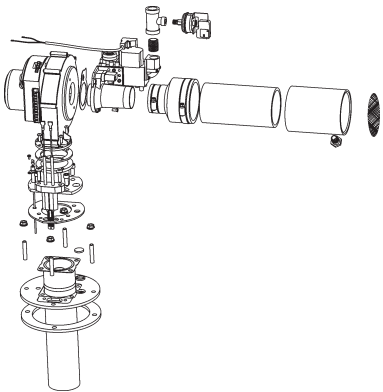
BTH CYCLONE Xi - MODEL BTH-120/A-250/A
See Page 2



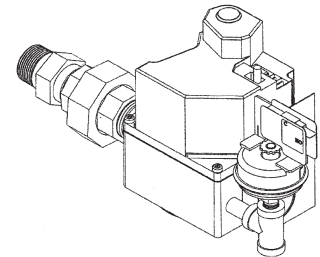
INNER COVER CONTROL ASSEMBLY
See Page 3



BLOWER/BURNER ASSEMBLY
See Page 4 & 5



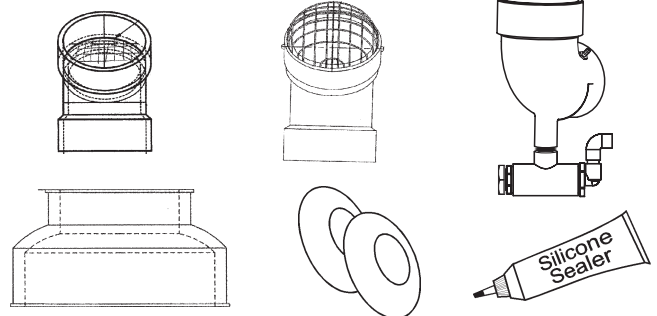
GAS VALVE(S)
See Page 6



ELECTRONIC ANODE
See Page 7



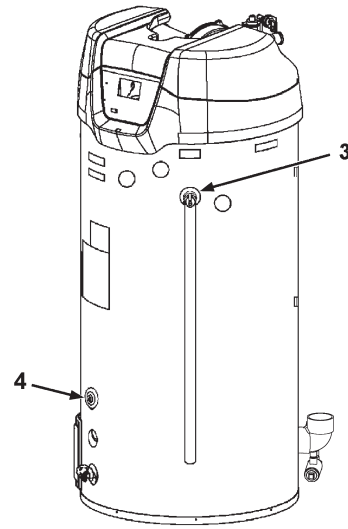
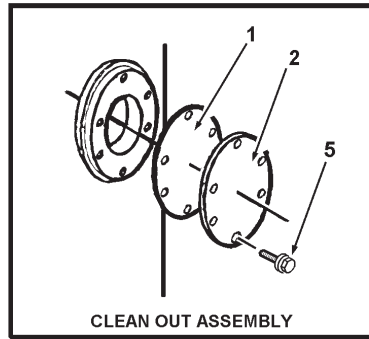
EXHAUST ELBOW ASSEMBLY - VENT KIT ASSEMBLY
See Page 7



BTH CYCLONE Xi 120/A - 250/A CLEANOUT ASSEMBLY / TEMPERATURE & PRESSURE VALVE

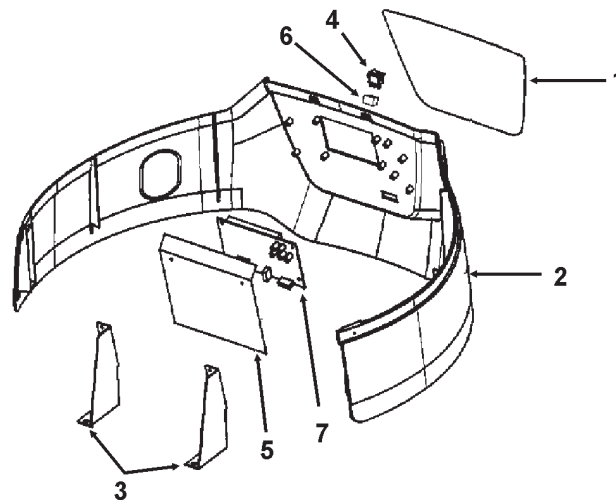
Item	Description	BTH 120/A	BTH 150/A	BTH 199/A	BTH 250/A
		100/101	100/101	100/101	100/101
1	Cleanout Gasket	9004099015	9004099015	9004099015	9004099015
2	Cleanout Plate	9004098005	9004098005	9004098005	9004098005
3	T & P Valve	9005899205	9005899205	9005899205	9005903205
4	Lower Probe	9006242015	9006242015	9006242015	9006242015
5	Thread Forming Screws	9004100215	9004100215	9004100215	9004100215

Standard hardware items may be purchased locally.



BTH CYCLONE Xi 120/A - 250/A - DISPLAY CONTROL ASSEMBLY

Item	Description	BTH 120/A	BTH 150/A	BTH 199/A	BTH 250/A
		100/101	100/101	100/101	100/101
1	BTH Display Overlay	9006239005	9006239005	9006239005	9006239005
2	Display Band	9006270005	9006270005	9006270005	9006270005
3	Display Band Mount	9006271015	9006271015	9006271015	9006271015
4	On/Off Switch	9005929215	9005929215	9005929215	9005929215
5	Splatter Shield	197763-000	197763-000	197763-000	197763-000
6	Switch Wire Connection	197823-000	197823-000	197823-000	197823-000
7	User Interface Module - UIM	9006240005	9006240005	9006240005	9006240005



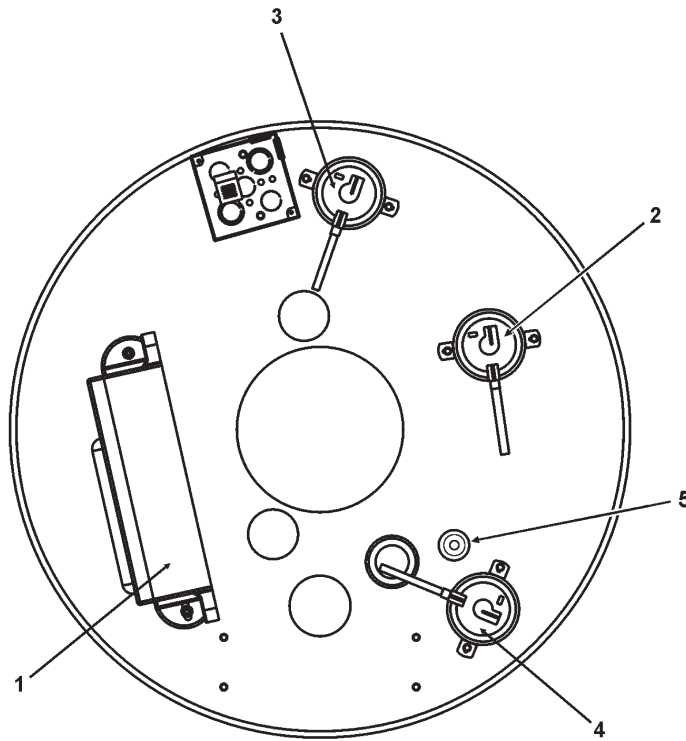
BTH CYCLONE Xi INNER COVER CONTROL ASSEMBLY - MODELS 120/A & 150/A

Item	Description	BTH 120/A		BTH 150/A	
		100	101	100	101
1	Controller	9006262005	9006266005	9006263005	9006267005
2	Switch-blocked outlet	9006287015	9006287015	9006289015	9006287015
3	Switch-blocked inlet	9006288015	9006281015	9006288015	9006281015
4	Switch-blower prover	9006280015	9006280015	9006280015	9006280015
5	Upper probe	9004238215	9004238215	9004238215	9004238215

BTH CYCLONE Xi INNER COVER CONTROL ASSEMBLY - MODELS 199/A & 250/A

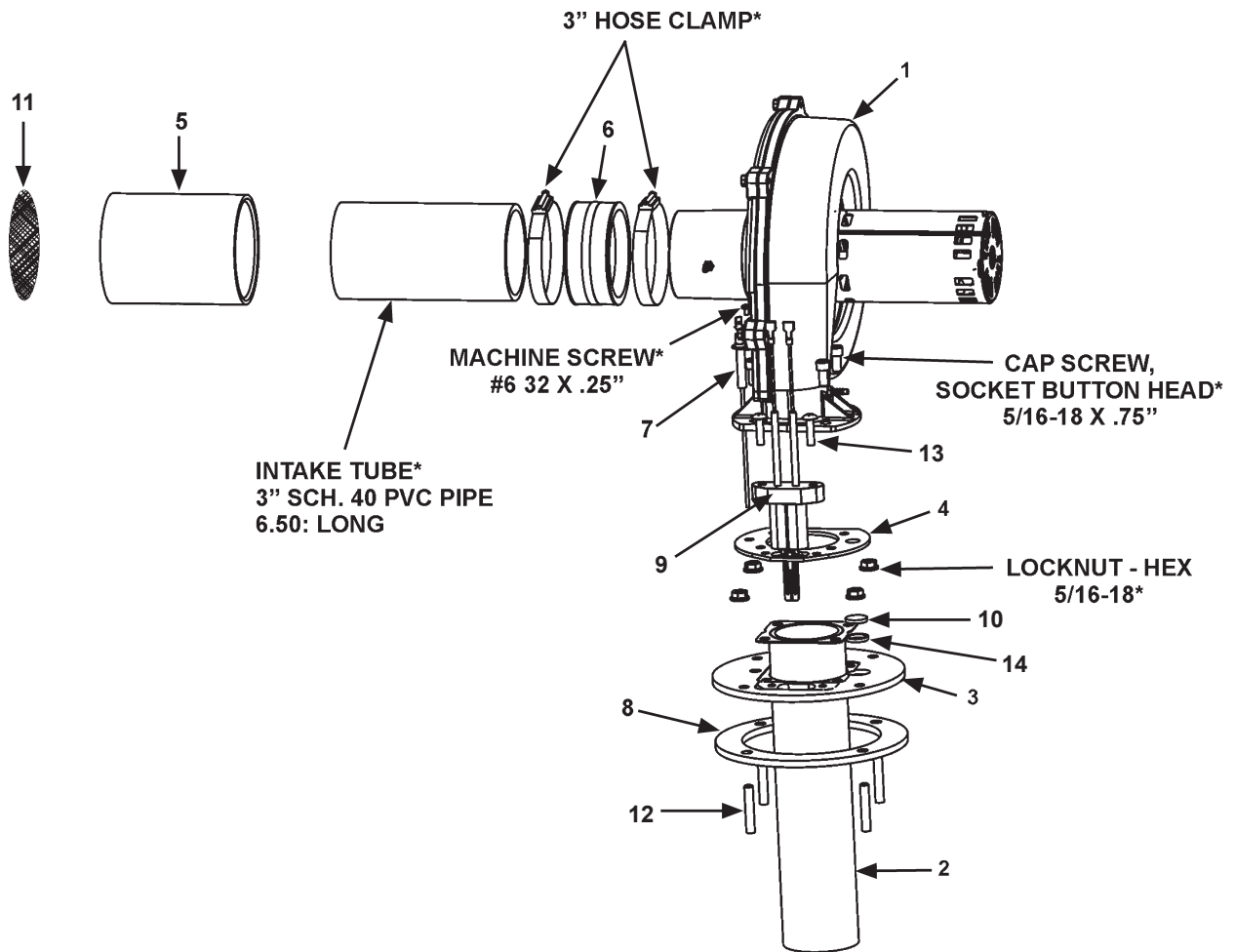
Item	Description	BTH 199/A		BTH 250/A	
		100	101	100	101
1	Controller	9006264005	9006268005	9006265005	9006269005
2	Switch-blocked outlet	9006289015	9006282015	9006282015	9006282015
3	Switch-blocked inlet	9006288015	9006281015	9006281015	9006281015
4	Switch-blower prover	9006280015	9006280015	9006280015	9006280015
5	Upper probe	9004238215	9004238215	9004238215	9004238215

Standard hardware items may be purchased locally.



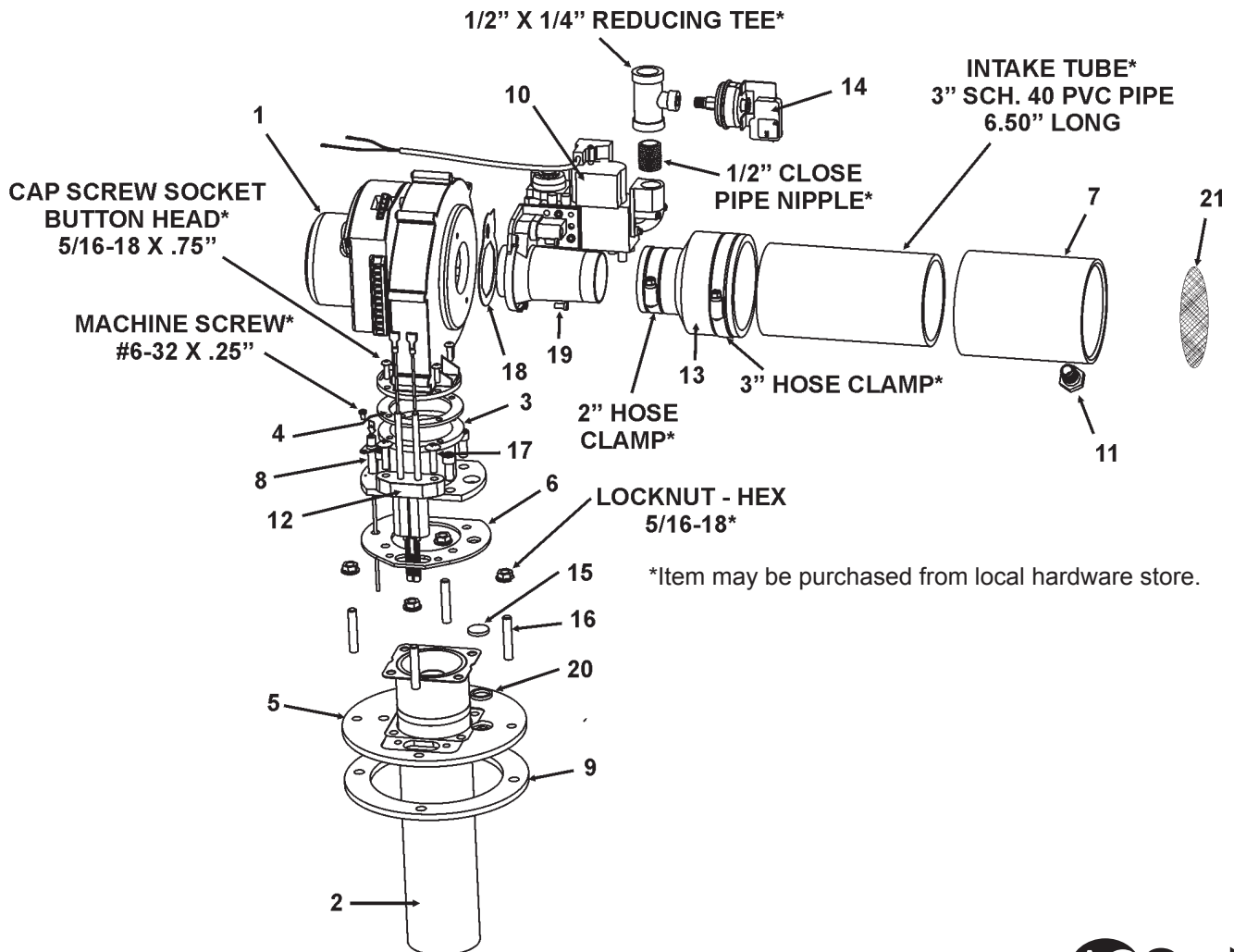
BURNER / BLOWER ASSEMBLY - MODELS 120/A & 150/A

Item	Description	BTH 120/A		BTH 150/A	
		100	101	100	101
1	Blower Assembly.....	9006272005.....	9006272005.....	9006273005.....	9006273005
2	Burner.....	9006275005.....	9006276005.....	9006277005.....	9006278005
3	Burner Flange.....	197932-000.....	197932-000.....	197932-000.....	197932-000
4	Burner Gasket.....	9006909005.....	9006909005.....	9006909005.....	9006909005
5	Coupling.....	197624-001.....	197624-001.....	197624-001.....	197624-001
6	Coupling-Power Vent.....	9006107205.....	9006107205.....	9006107205.....	9006107205
7	Flame Sensor.....	9006106205.....	9006106205.....	9006106205.....	9006106205
8	Flange Gasket.....	9007138005.....	9007138005.....	9007138005.....	9007138005
9	Igniter.....	9006101205.....	9006101205.....	9006101205.....	9006101205
10	Observation Window.....	9006102215.....	9006102215.....	9006102215.....	9006102215
11	Mesh Wire Screen.....	9006027015.....	9006027015.....	9006027015.....	9006027015
12	Stud 5-16-18 x 1 3/4".....	196881-000.....	196881-000.....	196881-000.....	196881-000
13	Truss Hd Machine Screw 1/4-20 x 1.00".....	194816-000.....	194816-000.....	194816-000.....	194816-000
14	Viewport Gasket.....	9006103215.....	9006103215.....	9006103215.....	9006103215



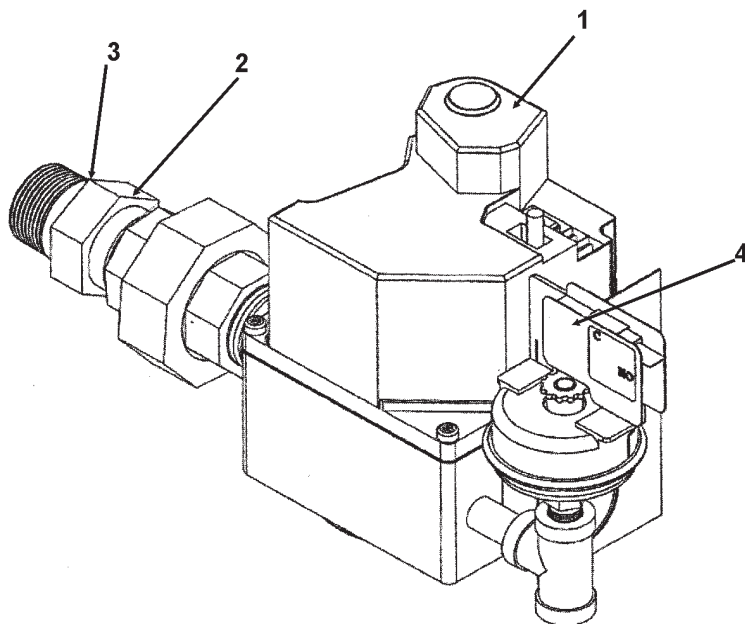
BLOWER / BURNER ASSEMBLY - MODELS 199/A & 250/A

Item	Description	BTH 199/A & 250/A 100	BTH 199/A & 250/A 101
1	Blower Assembly	9006274005	9006274005
2	Burner	9006279005	9006279005
3	Burner - Adapter	197607-000	197607-000
4	Burner - Gasket A	9007139005	9007139005
5	Burner Flange	197933-000	197933-000
6	Burner Gasket B	9006909005	9006909005
7	Condensate Tee	197624-000	197624-000
8	Flame Sensor	9006106205	9006106205
9	Flange-Gasket	9007138005	9007138005
10	Gas Valve - Venturi Assembly	9006285005	9006286005
11	Hose Barb	181863-000	181863-000
12	Igniter	9006101205	9006101205
13	Intake Connector	197604-000	197604-000
14	Switch-Low Gas Pressure	9006256015	9006255015
15	Observation Window	9006102215	9006102215
16	Stud 5/16-18 x 1 3/4"	196881-000	196881-000
17	Truss Hd. Mach. Screw 1/4-20 x 1.00	194816-000	194816-000
18	Venturi Gasket	197789-000	197789-000
19	Venturi Mounting Screw	197790-000	197790-000
20	Viewport Gasket	9006103215	9006103215
21	Mesh Wire Screen	9006027015	9006027015



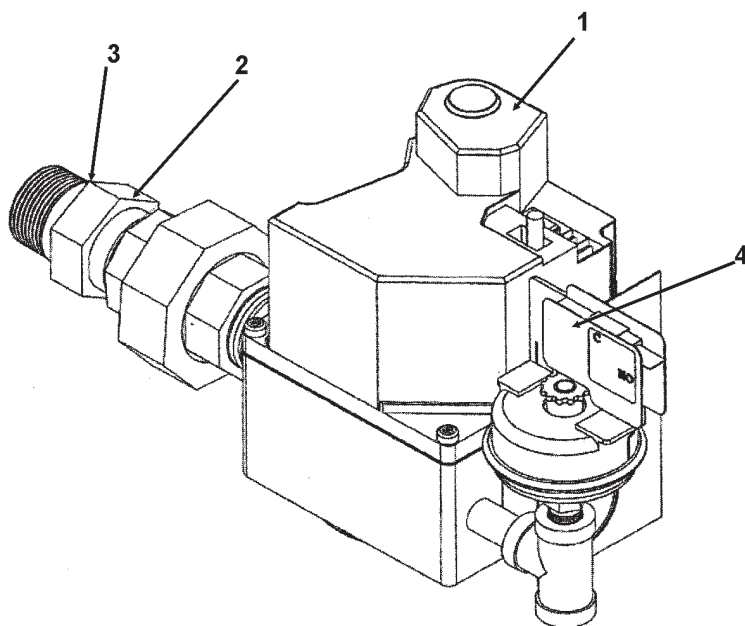
GAS VALVE ASSEMBLY - MODELS 120/A

Item	Description	BTH 120/A 100	BTH 120/A 101
1.....	Gas Valve.....	9004535205.....	9004536205.....
2.....	Orifice.....	9006259015.....	9006257015.....
3.....	Orifice Holder.....	9006094215.....	9006094215.....
4.....	Switch-Low Gas Pressure.....	9006256015.....	9006255015.....



GAS VALVE ASSEMBLY - MODELS 150/A

Item	Description	BTH 150/A 100	BTH 150/A 101
1.....	Gas Valve.....	9006283005.....	9006284005.....
2.....	Orifice.....	9006260015.....	9006258015.....
3.....	Orifice Holder.....	9006094215.....	9006094215.....
4.....	Switch-Low Gas Pressure.....	9006256015.....	9006255015.....

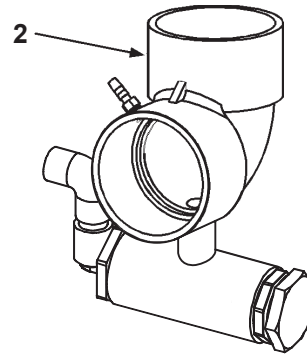
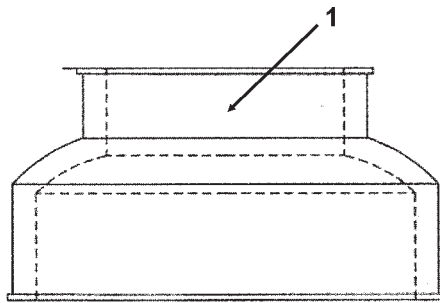


A.O. Smith Water Heater Parts Fulfillment • phone: 1-800-433-2545 • www.hotwater.com

EXHAUST CONNECTOR ASSEMBLY - MODELS 120/A - 250/A

BTH 120/A - 250/A
100 / 101

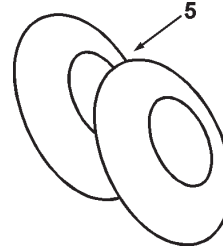
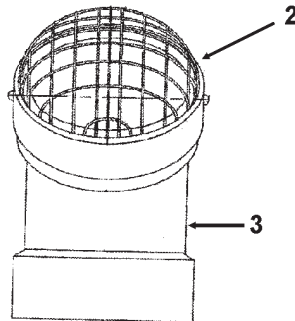
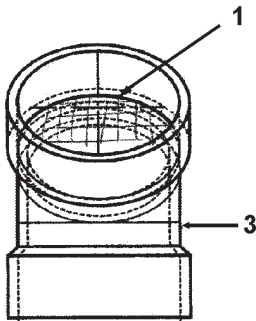
Item	Description	
1.....	Exhaust Connector	9006157205
2.....	Exhaust Elbow Assembly	9007245005
*2.....	Exhaust Elbow Assembly (Canada)	9006332005
*Effective July 1, 2008		



VENT KIT ASSEMBLY - MODELS 120/A - 250/A

BTH 120/A - 250/A
100 / 101

Item	Description	
1.....	Exhaust Screen	9006027015
2.....	Intake-Screen Collar Assembly	182162-000
3.....	PVC 45 Degree Elbow	181901-000
3.....	PVC 45 Degree Elbow (Canada)	197868-000
4.....	Silicone	9004365105
5.....	Wall Plate	9004364105

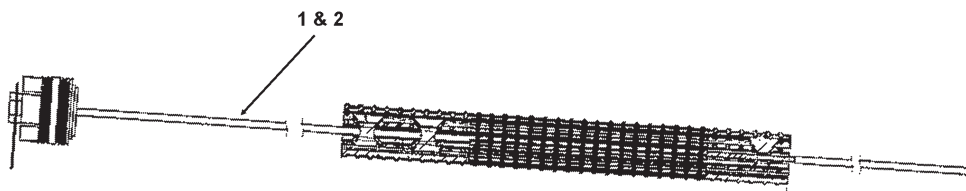


ELECTRONIC ANODE ASSEMBLY - MODELS 120/A - 250/A

BTH 120/A
100 / 101

BTH 150/A, 199/A, 250/A
100 / 101

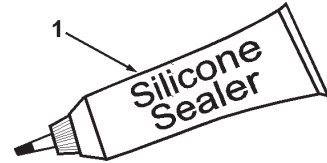
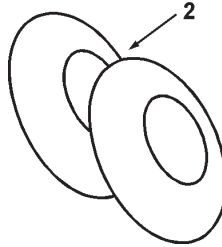
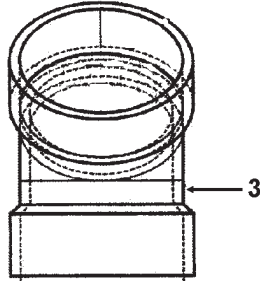
Item	Description		
1.....	Electronic Anode	-----	9006246005
2.....	Electronic Anode	9006559005	9006247005



OPTIONAL VENT KIT ASSEMBLY FOR 4" VENTING (ALL MODELS) #9006311005 (U.S.)

BTH 120/A thru 250/A
100 / 101

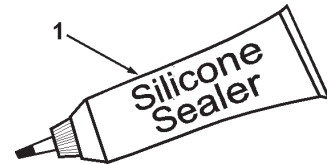
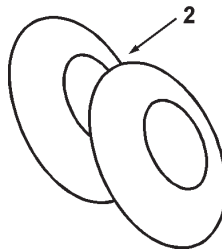
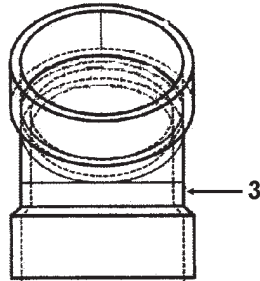
Item	Description
1.....	Silicone.....
2.....	Wall Plate
3.....	Vent Terminal Assembly 4".....



OPTIONAL VENT KIT ASSEMBLY FOR 4" VENTING (ALL MODELS) #9006339005 (CANADA)

BTH 120/A thru 250/A
100 / 101

Item	Description
1.....	Silicone.....
2.....	Wall Plate
3.....	Vent Terminal Assembly 4".....



A.O. Smith Water Heater Parts Fulfillment
125 Southeast Parkway
Franklin, TN 37068
1-800-433-2545
www.hotwater.com