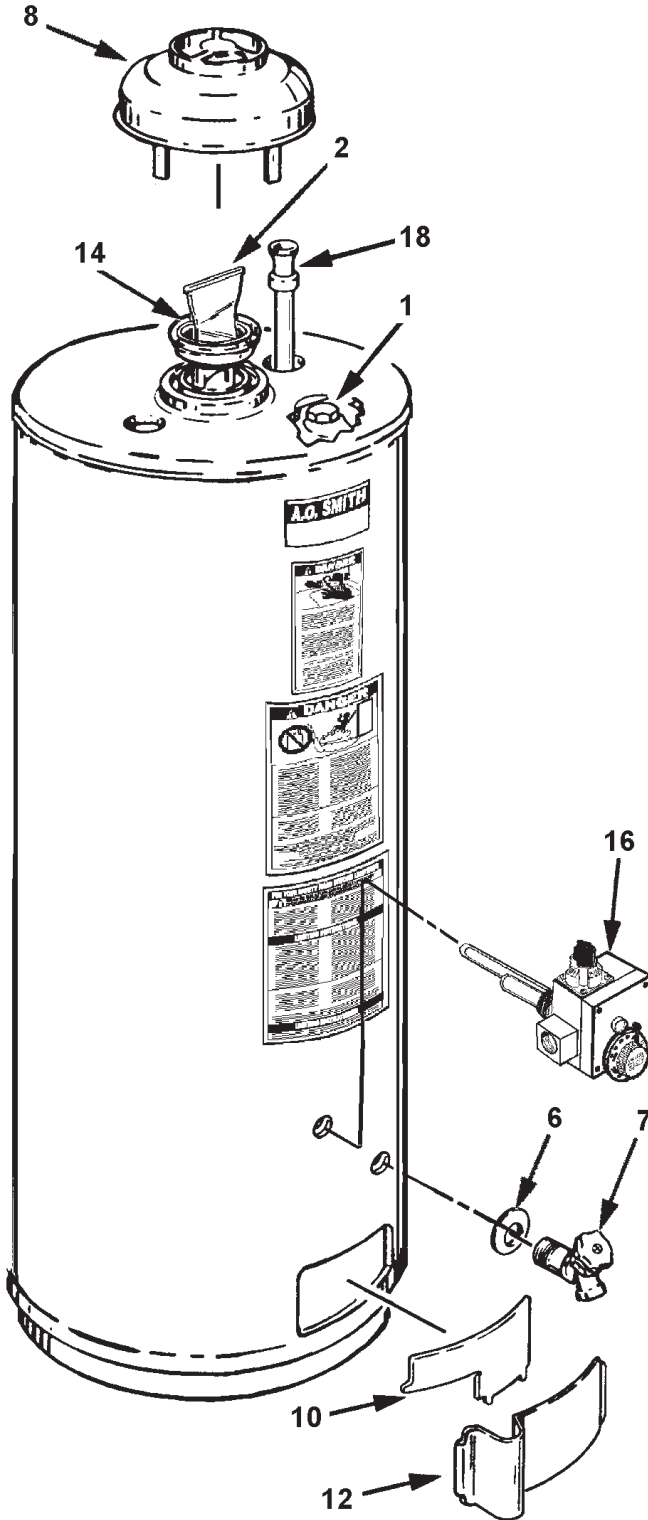


A. O. SMITH
WATER PRODUCTS
COMPANY

PSD-3-423
GAS

COMMERCIAL WATER HEATER
REPLACEMENT PARTS LIST

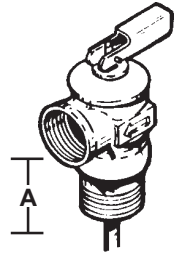
MODEL BT-65
SERIES 100



3/4" T&P RELIEF VALVE
 AUTOMATIC, SELF-CLOSING TYPES

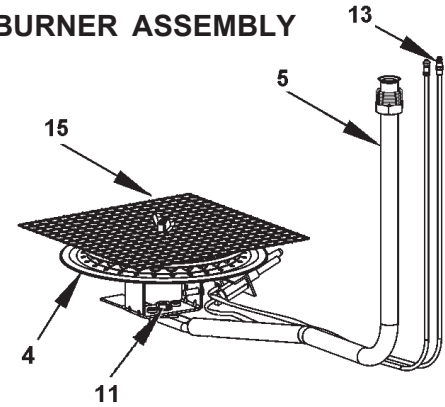
PART NUMBER	PRESS	A =	TEMP RELIEF
23740-1	150 LBS.	1-7/8"	210°

19



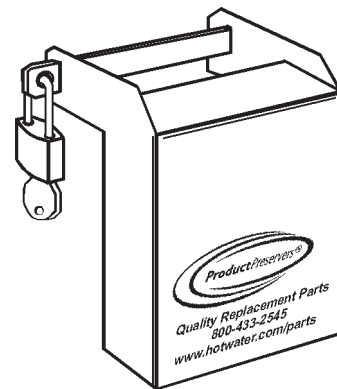
BURNER ASSEMBLY

3



THERMOSTAT SHIELD

17



A.O. SMITH WATER PRODUCTS COMPANY
 5621 W. 115th Street • Alsip, Illinois 60803
 Phone: 1-800-433-2545 • Fax: 1-800-433-2515
 www.aosmithwaterheaters.com

Item	Qty.	Description	
1	1	Anode	183523-29
2	1	Baffle, Flue	181753
3	1	Burner Assembly	183620
4	1	Burner, Main	183583-1
5	1	Burner, Tube	182727-3
6	1	Collar	20172-21
7	1	Drain Valve	26273-5
8	1	Hood, Draft	181963
9	1	Instruction Manual	195701-000
10	1	Inner Door Assembly	181667-1
11	1	Orifice, Main	181508-29
12	1	Outer Door Assembly	183258
13	1	Pilot, Assembly	182729-2
14	1	Restrictor, Flue	35405
15	1	Screen, Nox Burner	183691
16	1	Thermostat	38413
17	1	Thermostat Shield	191259-1
18	1	Tube Inlet, Polyethylene	183900-24
19	1	Valve, T & P	23740-1

A.O. SMITH WATER PRODUCTS COMPANY

5621 W. 115th Street • Alsip, Illinois 60803
Phone: 1-800-433-2545 • Fax: 1-800-433-2515
www.aosmithwaterheaters.com