

A.O. SMITH

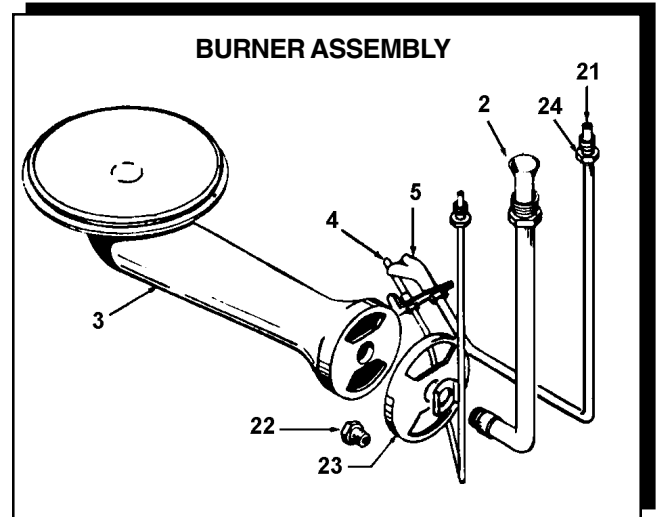
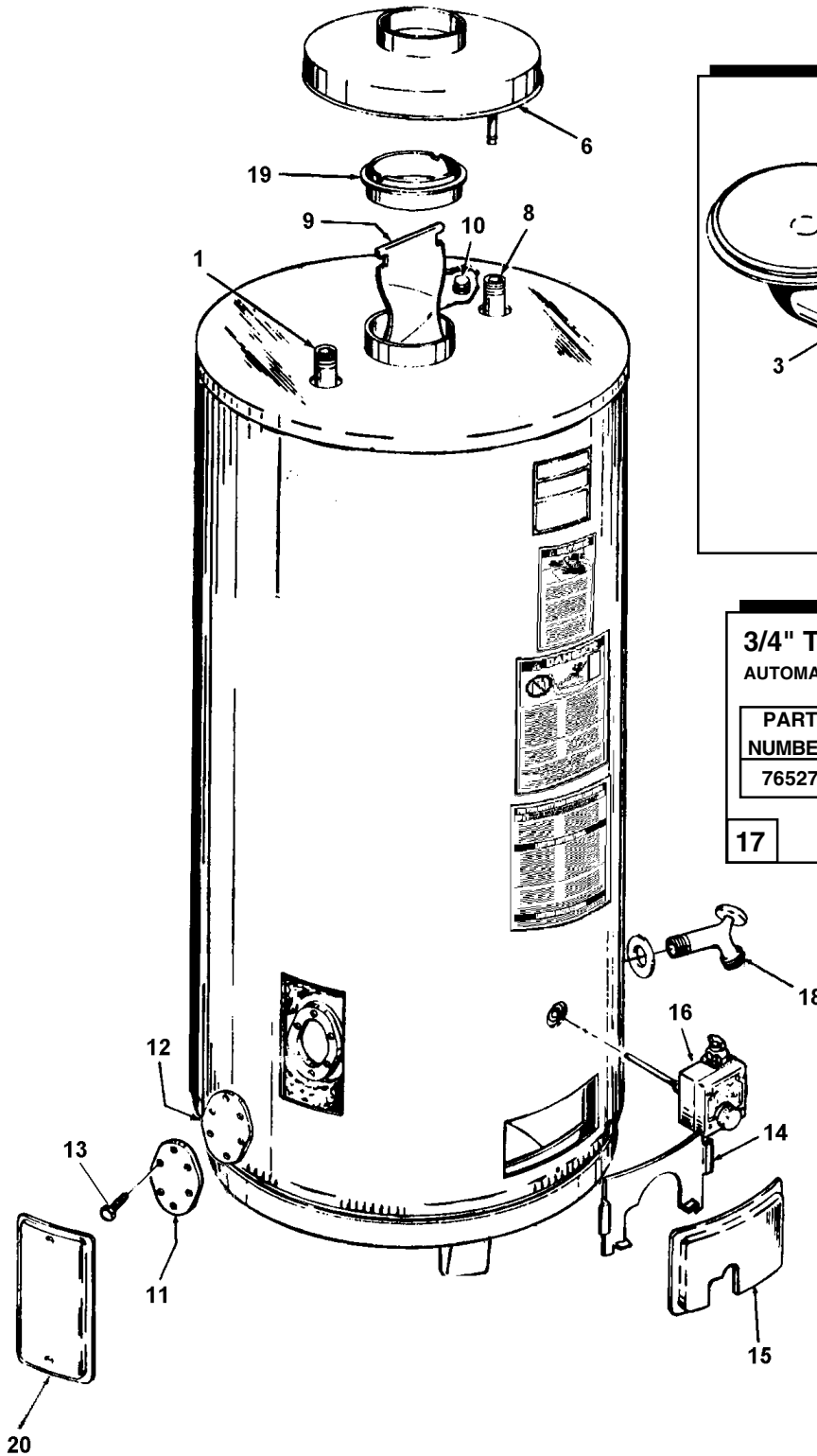
WATER PRODUCTS COMPANY

PSD-3-433

GAS

COMMERCIAL WATER HEATERS REPLACEMENT PARTS LIST

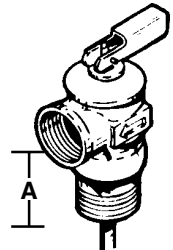
MODELS: BT 80 - 100
SERIES 100 - 101



3/4" T&P RELIEF VALVE AUTOMATIC, SELF-CLOSING TYPES

PART NUMBER	PRESS	A =	TEMP RELIEF
76527	150 LBS.	1 7/8"	210°

17



A.O. SMITH WATER PRODUCTS CO., INC.
5621 W. 115TH STREET • ALSIP, ILLINOIS 60803
PHONE: 1-800-433-2545 • FAX: 1-800-433-2515
WEBSITE: www.hotwater.com • EMAIL: parts@hotwater.com

Item	Qty.	Description	BT 80 Natural	BT 80 Propane	BT 100 Natural	BT 100 Propane
1	1	Pipe Nipple	43879-1	43879-1	41319	41319
2	1	Burner Tube	39114-1	39114-1	39114-1	39114-1
3	1	Cast Iron Burner	41157-7	41157-7	41157-8	41157-8
4	1	Thermocouple	35489-2	35489-2	35489-2	35489-2
5	1	Pilot	160228	160228-1	160228	160228-1
6	1	Draft Hood	39072	39072	39072	39072
* 7	3	Draft Hood Brace	194309	194309	194309	194309
8	1	Inlet Tube	194054	194054	194333	194333
9	4	Flue Baffle Assembly	194332-1	194332-1	194332-1	194332-1
10	1	Anode Rod	43817-38	43817-38	43817-50	43817-50
11	1	Cleanout Cover	99037	99037	99037	99037
12	1	Cleanout Gasket	99038	99038	99038	99038
13	1	Cleanout Screw	69852-1	69852-1	69852-1	69852-1
14	1	Inner Door	39923	39923	39923	39923
15	1	Outer Door	39112-1	39112-1	39112-1	39112-1
16	1	Thermostat	38413	191855	38413	191855
17	1	T & P Relief Valve	23740-1	23740-1	23740-1	23740-1
18	1	Drain Valve	26273-7	26273-7	26273-7	26273-7
19	1	Flue Reducer	35405	35405	35405	35405
20	1	Front Cover	181260	181260	181260	181260
21	1	Pilot Tube	1417-60	1417-60	1417-60	1417-60
22	1	Orifice	29366-23	181778-38	29366-22	181778-36
23	1	Air Shutter	35376-1	Not used	35376-1	Not used
24	1	Fitting Breakaway	32365	32365	32365	32365
25	1	Manual	194318	194318	194318	194318

* Not Illustrated

BT 80 - 100



A.O. SMITH
WATER PRODUCTS
COMPANY

A.O. SMITH WATER PRODUCTS CO., INC.
5621 W. 115TH STREET • ALSIP, ILLINOIS 60803
PHONE: 1-800-433-2545 • FAX: 1-800-433-2515
Website: www.hotwater.com • EMAIL: parts@hotwater.com