

A.O. SMITH

WATER PRODUCTS COMPANY

PSD-3-457/A

GAS

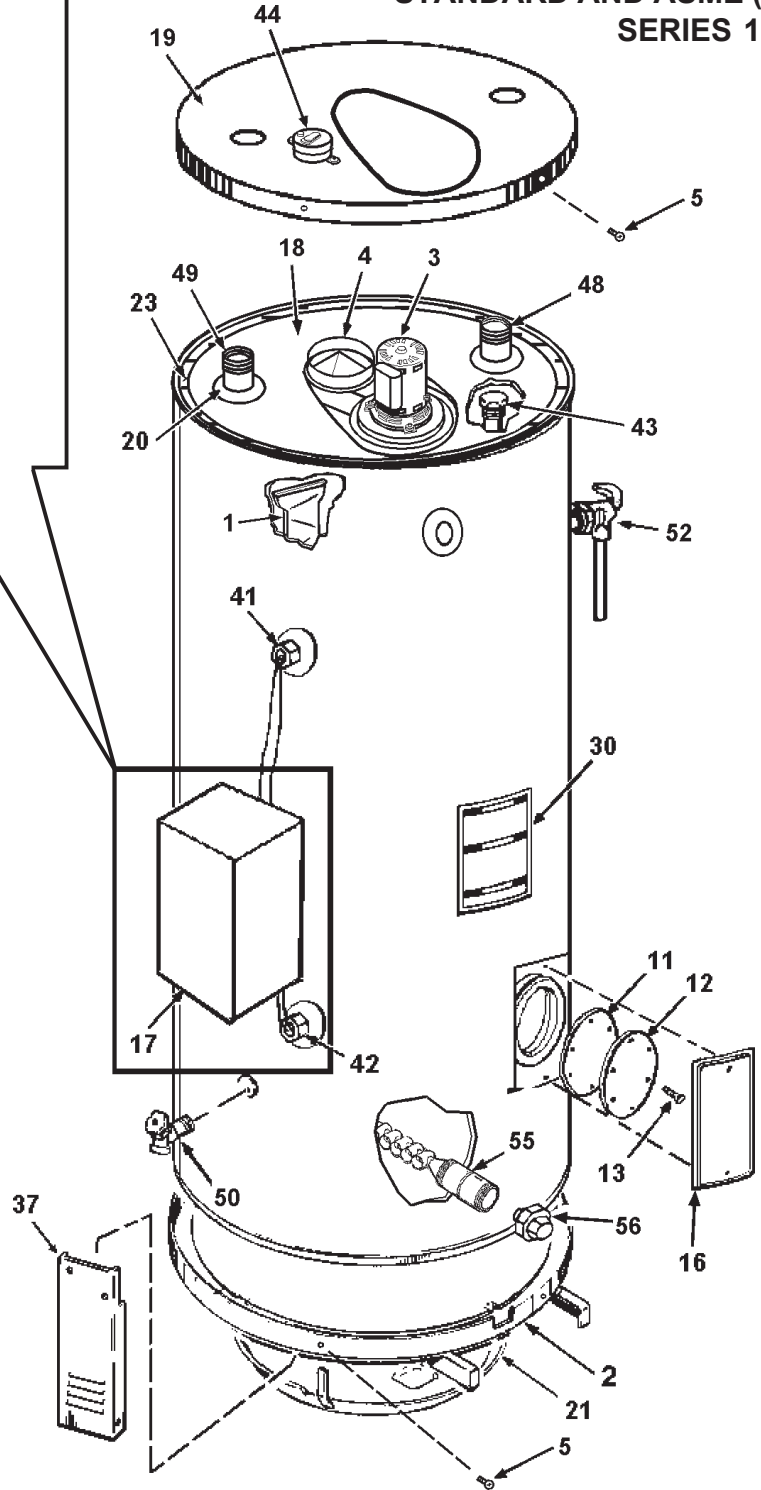
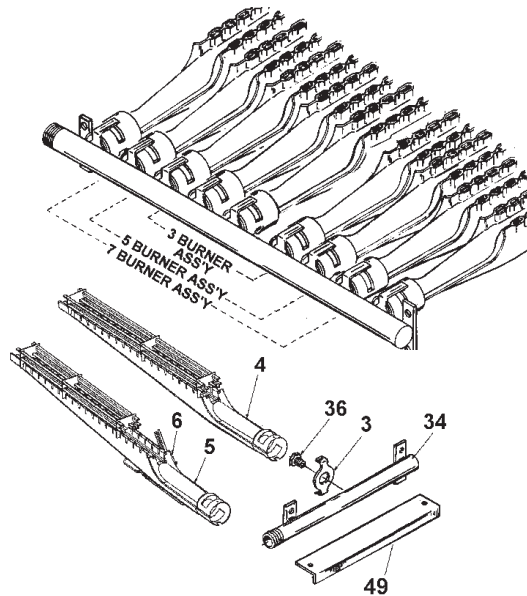
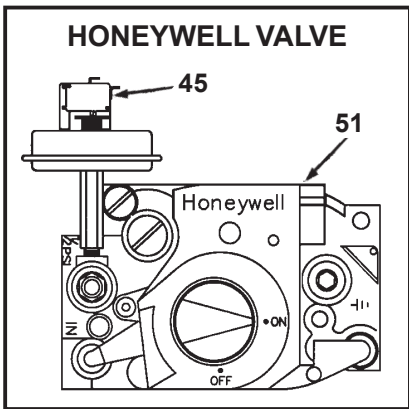
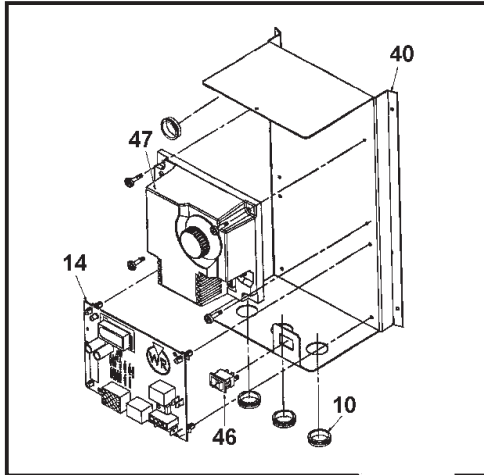
COMMERCIAL TANK TYPE WATER HEATER

REPLACEMENT PARTS LIST

MODELS BTN 120 thru 400/A:

STANDARD AND ASME (A)

SERIES 108



A.O. SMITH WATER PRODUCTS CO., INC.
5621 W. 115TH STREET • ALSIP, ILLINOIS 60803
PHONE: 1-800-433-2545 • FAX: 1-800-433-2515
Website: www.hotwater.com • EMAIL: parts@hotwater.com

Item	Description	BTN	BTN	BTN	BTN	BTN
		120	154	180	199	200/A
1	Baffle, Flue	193595-1	194705-1	192199-3	192199-3	192199-3
2	Base, Jacket Assembly	194518	194556	194556	194556	194556
Blower Assembly						
3	Blower 194408	194408	194408	194408	194408	
4	Outlet Assembly, Exhaust	194424	194424	194424	194424	194424
5	Screw, TEK	194613	194613	194613	194613	194613
6	Burner, Orifice Bracket, Main	98044	98044	98044	98044	98044
7	Burner Orifice, Main	76243-32	76243-35	76243-33	76243-32	76243-32
8	Burner Assembly, Main	<u>194381</u>	<u>194381</u>	<u>194381</u>	<u>194381</u>	<u>194381</u>
9	Burner w/Ignitor Bracket, Main	195712	195712	195712	195712	195712
10	Bushing	193404	193404	193404	193404	193404
Cleanout Assembly						
11	Gasket 99038	<u>99038</u>	<u>99038</u>	<u>99038</u>	<u>99038</u>	
12	Pressure Plate	99037	99037	99037	99037	99037
#13	Screws, Machine	69852-1(6)	69852-1(6)	69852-1(6)	69852-1(6)	69852-1(6)
14	Control, Ignition Board	<u>194392</u>	<u>194392</u>	<u>194392</u>	<u>194392</u>	<u>194392</u>
15	Cover, Burner	98185	921185-3	98185-3	98185-3	98185-3
16	Cover, Cleanout	181260	181260	181260	181260	181260
17	Cover, Control Box	194395	194395	194395	194395	194395
18	Cover, Inner	194514	194388-6	194388-3	194388-3	194388-3
19	Cover, Jacket	194523	194389	194389	194389	194389
20	Collar, Pipe Nipple	74060	74060	74060	74060	74060
21	Floor Shield Assembly	193864	193984	193864	193864	193984
22	Ignitor, Flame Sensor	<u>195708</u>	<u>195708</u>	<u>195708</u>	<u>195708</u>	<u>195708</u>
23	Insulation, Top	194439	194439	194439	194439	194439
*24	Cleanout	193914	193914	193914	193914	193914
*25	Flammable Vapors	192872	192872	192872	192872	192872
*26	Help Line	190600	190600	190600	190600	190600
*27	Instruction	170345	170345	170345	170345	170345
*28	Instruction, Bilingual	193912	193912	193912	193912	193912
*29	Instruction, ECO	192282-1	192282-1	192282-1	192282-1	192282-1
30	L&O Label	194401	194401	194401	194401	194401
*31	Master Fit	193859	193859	193859	193859	193859
*32	Relief Valve	200042	200042	200042	200042	200042
*33	Ultra Coat	193860	193860	193860	193860	193860
*34	Water Inlet	161040	161040	161040	161040	161040
*35	Water Outlet	161040-1	161040-1	161040-1	161040-1	161040-1
*36	Wiring Diagram	194400	194400	194400	194400	194400
37	Leg	194115	194115	194115	194115	194115
38	Manifold	194516	194535	194535	194535	194535
*39	Manual, Instruction	195714	195714	195714	195714	195714
40	Plate, Mounting	194391	194391	194391	194391	194391
41	Probe/ECO, Upper Thermostat	<u>194396</u>	<u>194396</u>	<u>194396</u>	<u>194396</u>	<u>194396</u>
42	Probe/Lower Thermostat	<u>194397</u>	<u>194397</u>	<u>194397</u>	<u>194397</u>	<u>194397</u>
43	Rod, Anode	180618-42	180618-42	180618-42	180618-42	180618-42
44	Switch, Blower/Prover	<u>194411-3</u>	<u>194411-7</u>	<u>194411-0</u>	<u>194411-6</u>	<u>194411-6</u>
45	Switch, Low Gas Pressure	<u>191149-5</u>	<u>191149-5</u>	<u>191149-5</u>	<u>191149-5</u>	<u>191149-5</u>
46	Switch, Off/On	193243	193243	193243	193243	193243
47	Thermostat, Digital	<u>194393</u>	<u>194393</u>	<u>194393</u>	<u>194393</u>	<u>194393</u>
48	Tube, Inlet	192626-1	192626-1	192626-1	192626-1	192626-1
49	Tube, Outlet	192627-1	192627-1	192627-1	192627-1	192627-1
50	Valve, Drain	<u>26273-6</u>	<u>26273-6</u>	<u>26273-6</u>	<u>26273-6</u>	<u>26273-6</u>
51	Valve, Gas - Natural	<u>194536-1</u>	<u>194536-1</u>	<u>194536-1</u>	<u>194536-1</u>	<u>194536-1</u>
52	Valve, T&P	<u>192467</u>	<u>192467</u>	<u>192467</u>	<u>192467</u>	<u>192467</u>
*53	Wire Harness - Control	194545	194545	194545	194545	194545
*54	Wire Harness - Power	194398	194398	194398	194398	194398
55	The Eliminator	195100	195098	195098	195098	195098
56	(1 1/2") galvanized pipe union	195127	195127	195127	195127	195127

Item	Description	BTN	BTN	BTN	BTN	BTN
		250/A	275/A	310/A	366/A	400/A
1	Baffle, Flue	192199-4	192199-3	192199-3	192199-3	194705
2	Base, Jacket Assembly	194556	194556	194556	194385	194671
Blower Assembly:						
3	Blower 194408	194408	194408	194408	194408	
4	Outlet Assembly, Exhaust	194424	194424	194424	194424	194424
5	Screw, TEK	194613	194613	194613	194613	194613
6	Burner, Orifice Bracket, Main	98044	98044	98044	98044	98044
7	Burner Orifice, Main	76243-30	76243-32	76243-32	76243-30	76243-29
8	Burner Assembly, Main	<u>194381</u>	<u>194381</u>	<u>194381</u>	<u>194381</u>	<u>194381</u>
9	Burner w/Ignitor Bracket, Main	195712	195712	195712	195712	195713
10	Bushing	193404	193404	193404	193404	193404
CLEANOUT Assembly:						
11	Gasket	<u>99038</u>	<u>99038</u>	<u>99038</u>	<u>99038</u>	<u>99038</u>
12	Pressure Plate	99037	99037	99037	99037	99037
#13	Screws, Machine	69852-1(6)	69852-1(6)	69852-1(6)	69852-1(6)	69852-1(6)
14	Control, Ignition Assembly	<u>194392</u>	<u>194392</u>	<u>194392</u>	<u>194392</u>	<u>194392</u>
15	Cover, Burner	98185-3	98185-3	98185-3	98185-4	19411
16	Cover, Cleanout	181260	181260	181260	181260	181260
17	Cover, Control Box	194395	194395	194395	194395	194395
18	Cover, Inner	194388-4	194388-4	194388-4	194388	194388
19	Cover, Jacket	194389	194389	194389	194389	194389
20	Collar, Pipe Nipple	74060	74060	74060	74060	74060
21	Floor Shield Assembly	193984	193984	193984	193984	193984
22	Ignitor, Flame Sensor	<u>195708</u>	<u>195708</u>	<u>195708</u>	<u>195708</u>	<u>195708</u>
23	Insulation, Top	194439	194439	194439	194439	194439
LABELS:						
*24	Cleanout	193914	193914	193914		193914
*25	Flammable Vapors	192872	192872	192872	192872	192872
*26	Help Line	190600	190600	190600	190600	190600
*27	Instruction	170345	170345	170345	170345	170345
*28	Instruction, Bilingual	193912	193912	193912	193912	193912
*29	Instruction, ECO	192282-1	192282-1	192282-1	192282-1	192282-1
30	L&O Label	194401	194401	194401	194401	194401
*31	Master Fit	193859	193859	193859	193859	193859
*32	Relief Valve	200042	200042	200042	200042	200042
*33	Ultra Coat	193860	193860	193860	193860	193860
*34	Water Inlet	161040	161040	161040	161040	161040
*35	Water Outlet	161040-1	161040-1	161040-1	161040-1	161040-1
*36	Wiring Diagram	194400	194400	194400	194400	194400
37	Leg	194115	194115	194115	194115	194115
38	Manifold	194535	194535	194535	194386	194386
*39	Manual, Instruction	195714	195714	195714	195714	195714
40	Plate, Mounting	194391	194391	194391	194391	194391
41	Probe/ECO, Upper Thermostat	<u>194396</u>	<u>194396</u>	<u>194396</u>	<u>194396</u>	<u>194396</u>
42	Probe/Lower Thermostat	<u>194397</u>	<u>194397</u>	<u>194397</u>	<u>194397</u>	<u>194397</u>
43	Rod, Anode	180618-42	180618-42	180618-42	180618-42	180618-42
44	Switch, Blower Prover	194411-0	194411-8	194411-2	194411-1	194411-2
45	Switch, Low Gas Pressure	<u>191149-5</u>	<u>191149-5</u>	<u>191149-5</u>	<u>191149-5</u>	<u>191149-5</u>
46	Switch, Off/On	193243	193243	193243	193243	193243
47	Thermostat, Digital	194393	194393	194393	194393	194393
48	Tube, Inlet	192626-1	192626-1	192626-1	192626-1	192626-1
49	Tube, Outlet	192627-1	192627-1	192627-1	192627-1	192627-1
50	Valve, Drain	<u>26273-6</u>	<u>26273-6</u>	<u>26273-6</u>	<u>26273-6</u>	<u>26273-6</u>
51	Valve, Gas - Natural	<u>194536-1</u>	<u>194536-1</u>	<u>194536</u>	<u>194536</u>	<u>194536</u>
52	Valve, T&P	<u>192467</u>	<u>192467</u>	<u>192467</u>	<u>192467</u>	<u>192467</u>
*53	Wire Harness - Control	<u>194545</u>	<u>194545</u>	<u>194545</u>	<u>194545</u>	<u>194545</u>
*54	Wire Harness - Power	194398	194398	194398	194398	194398
55	The Eliminator	195098	195098	195098	195098	195098
56	(1 1/2") galvanized pipe union	195127	195127	195127	195127	195127

*Items not illustrated. # Quantities shown in parenthesis next to part number. TBD To be determined.
Part numbers underlined are recommended stock items for emergency replacement. (Consider gas used in your area only).
Requests from PSD by giving all information such as model and series number, type of gas and specifications.

A.O. SMITH
WATER PRODUCTS
COMPANY



A.O. SMITH WATER PRODUCTS CO., INC.
5621 W. 115TH STREET • ALSIP, ILLINOIS 60803
PHONE: 1-800-433-2545 • FAX: 1-800-433-2515
Website: www.hotwater.com • EMAIL: parts@hotwater.com