

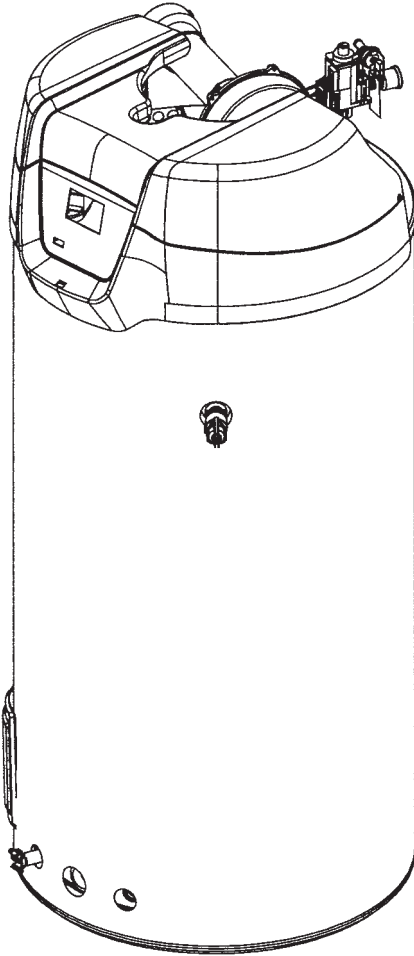
**Model BTH-300A 100/101**

**Model BTH-400A 101/104**

**Model BTH-500A 101/104**

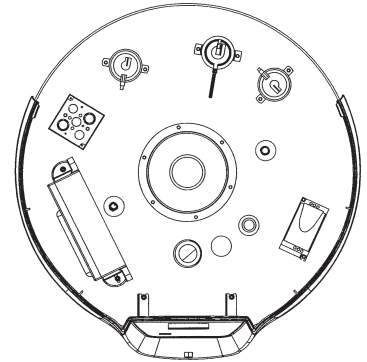
**CYCLONE XHE MODEL BTH-300A/400A/500A**

See Page 2



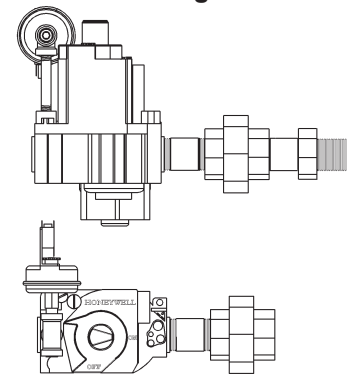
**OPERATING CONTROL**

See Page 3- 4



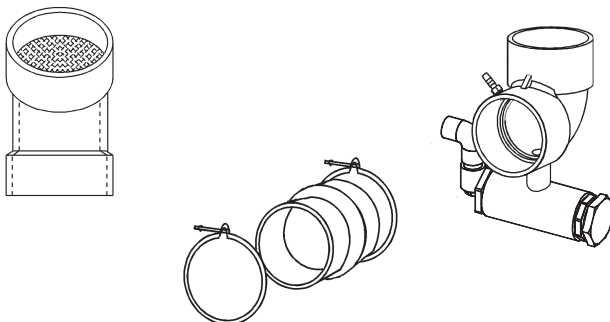
**GAS VALVE**

See Page 5



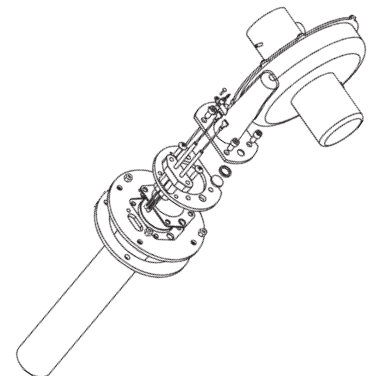
**EXHAUST ELBOW, VENT KIT & BLOWER INTAKE PARTS**

See Page 6



**BLOWER/BURNER ASSEMBLY**

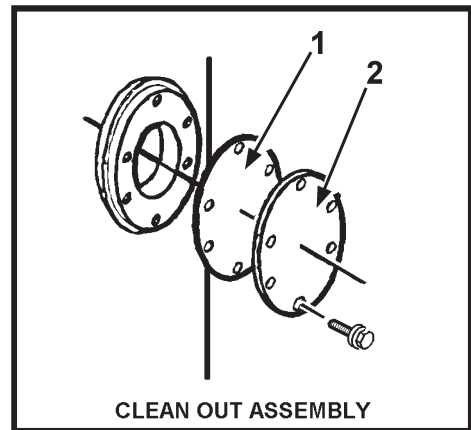
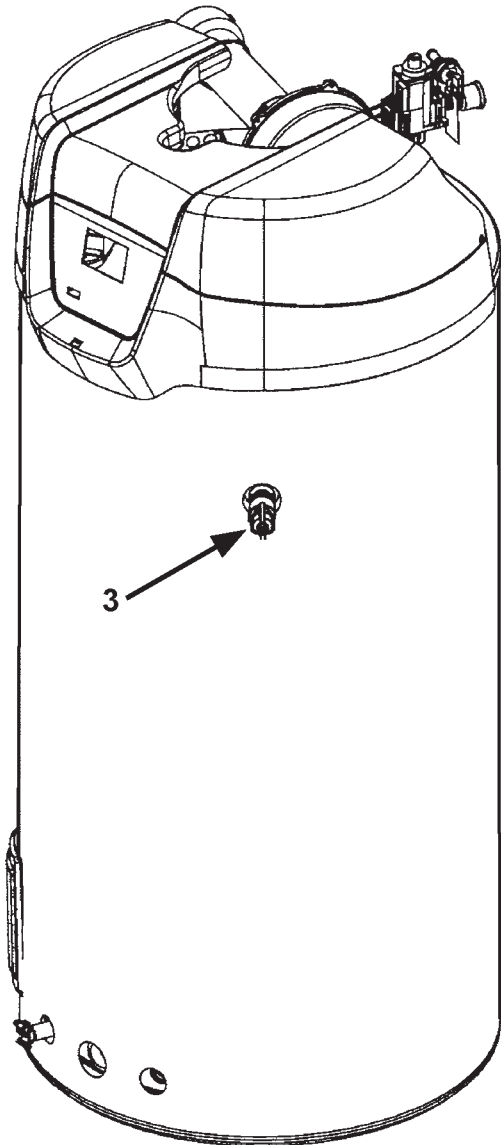
See Page 5



## CYCLONE XHE BTH 300A/400A/500A - PARTS LIST

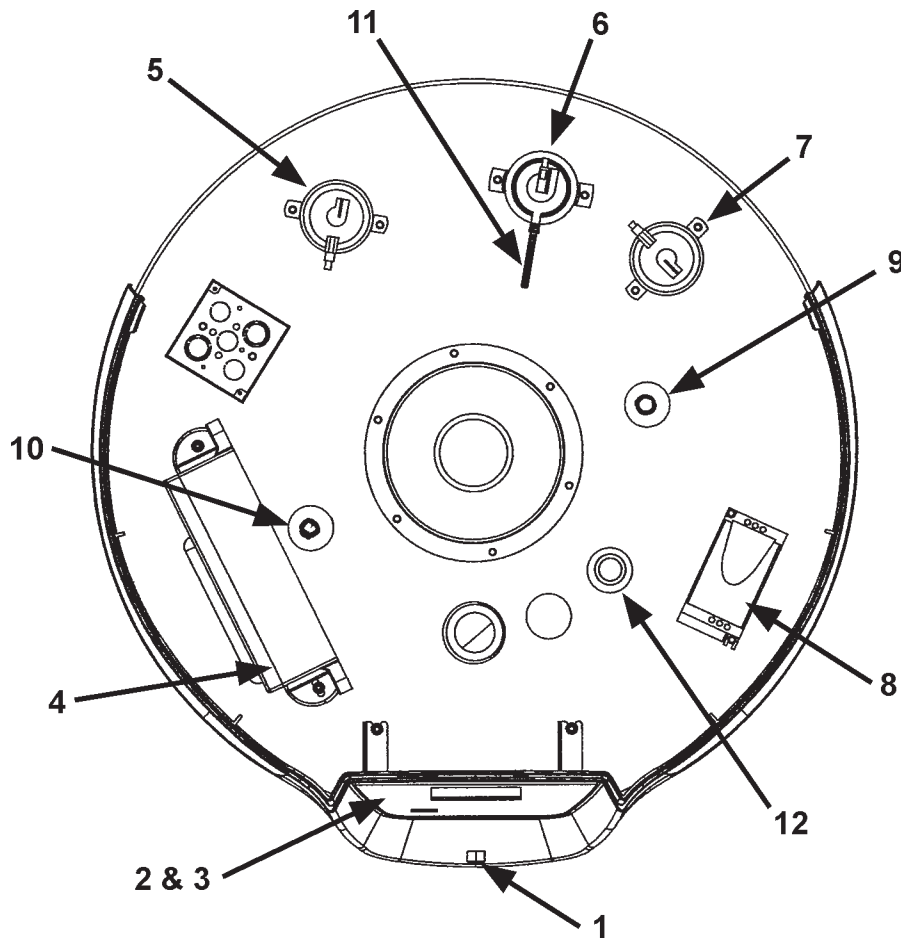
Item	Description	BTH 300A 100/101	BTH 400A 101/104	BTH 500A 101/104
1	Cleanout Gasket	9004099015	9004099015	9004099015
2	Cover, Cleanout	9004098005	9004098005	9004098005
3	Temperature and Pressure Relief Valve	9005903205	9005903205	9005903205

Standard hardware items may be purchased locally.



## CYCLONE XHE BTH 300A/400A - OPERATING CONTROLS & WIRING (See Next Page)

Item	Description	BTH 300A 100/101	BTH 400A 101 (LP)	BTH 400A 104 (NAT)	BTH 500A 101 (LP)	BTH 500A 104 (NAT)
1	.....Switch, On/Off .....	9005929215	...9005929215	...9005929215	...9005929215	...9005929215
2	.....Display Overlay .....	9006239005	...9006239005	...9006239005	...9006239005	...9006239005
3	.....Display Board .....	9006240005	...9006240005	...9006240005	...9006240005	...9006240005
4	.....Electronic Controller - Natural Gas .....	9006231005	.....	9008219005	.....	9007442005
4	.....Electronic Controller - LP .....	9006232005	...9006235005	.....	9006237005	.....
5	.....Switch, blocked inlet.....	9006083215	...9006006215	...9006243015	...9006243015	...9006243015
6	.....Switch, Blower Prover .....	9004586215	...9006002215	...9004586215	...9006244015	...9004586215
7	.....Switch, blocked outlet .....	9006087215	...9006088215	...9006007215	...9006007215	...9006007215
8	.....Variable Frequency Drive Assembly .....	.....	9006245005	...9006245005	...9006245005	...9006245005
9	.....Powered anode - short.....	9006247005	...9006247005	...9006247005	...9006247005	...9006247005
10	.....Powered anode - long .....	9006246005	...9006246005	...9006246005	...9006246005	...9006246005
11	.....Tubing - 1/4" silicone.....	9006249015	...9006249015	...9006249015	...9006249015	...9006249015
12	.....Probe, upper .....	9004238215	...9004238215	...9004238215	...9004238215	...9004238215
13	.....Probe, lower (not shown) .....	9006242015	...9006242015	...9006242015	...9006242015	...9006242015

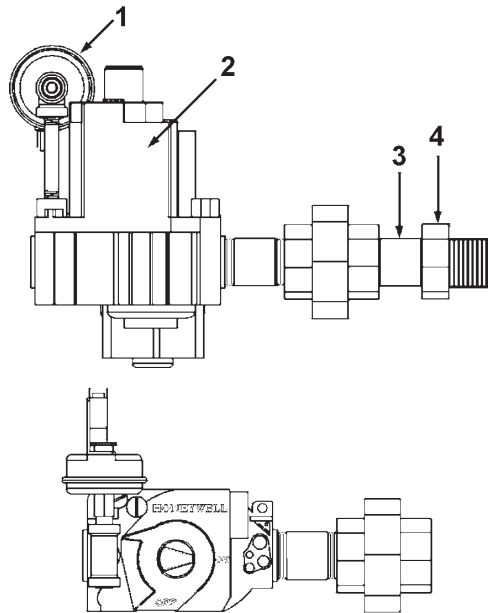


## GAS VALVE

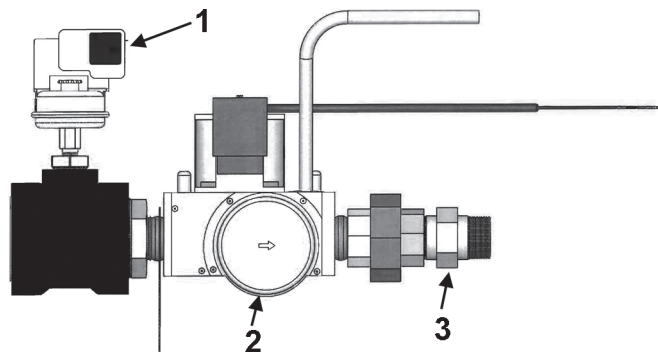
Item	Description	BTH 300A 100/101	BTH 400A 101	BTH 400A 104	BTH 500A 101	BTH 500A 104
1	Switch, Low Gas Pressure	9006084215	-----	9006084215	-----	9006084215
	LP Gas	9004474215	9004474215	-----	9004474215	-----
2	Valve, Natural Gas	9006085205	-----	9007295005	-----	9007295005
	Valve, LP Gas	9006086205	9006086205	-----	9006086205	-----
3	Orifice, Natural Gas	9006090215	-----	N/A	-----	N/A
	Orifice, LP Gas	9006092215	9006093215	-----	9006251015	-----
4	Orifice holder	9006094215	9006094215	9006094215	9006094215	9006094215

Standard hardware items may be purchased locally.

### FOR BTH-300 100/101, BTH-400 101, BTH-500 101



### FOR BTH-400A 104, BTH-500A 104

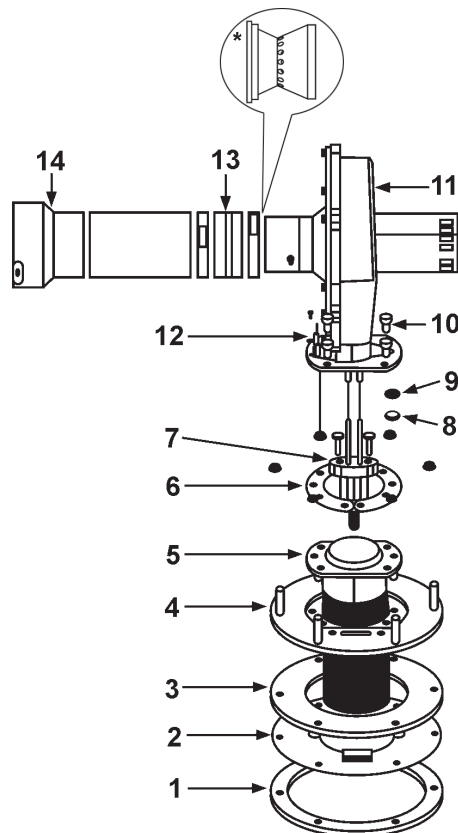


## BLOWER/BURNER ASSEMBLY

Item	Description	BTH 300A 100/101	BTH 400A 101/104	BTH 500A 101/104
1	Gasket 8"	9006095205	9006095205	9006095205
2	Shield - Heat	9006096205	9006096205	9006096205
3	Gasket - Insulation	9006097205	9006097205	9006097205
4	Flange - Burner	9006098205	9006098205	9006098205
5	Burner Assembly	9006099205	9006099205	9006099205
6	Gasket - Burner	9006100205	9006100205	9006100205
7	Ignitor	9006101205	9006101205	9006101205
8	Window - Observation	9006102215	9006102215	9006102215
9	Gasket - Viewport	9006103215	9006103215	9006103215
10	Screw - Socket Head Cap	9006104215	9006104215	9006104215
11	Blower/Motor	9006105205	9006114205	9006114205
12	Sensor - Flame	9006106205	9006106205	9006106205
13	Coupling - Power Vent	9006107205	9006107205	9006107205
14	Blower Intake Reducer Assembly	9006108205	9006108205	9006108205

**Standard hardware items may be purchased locally.**

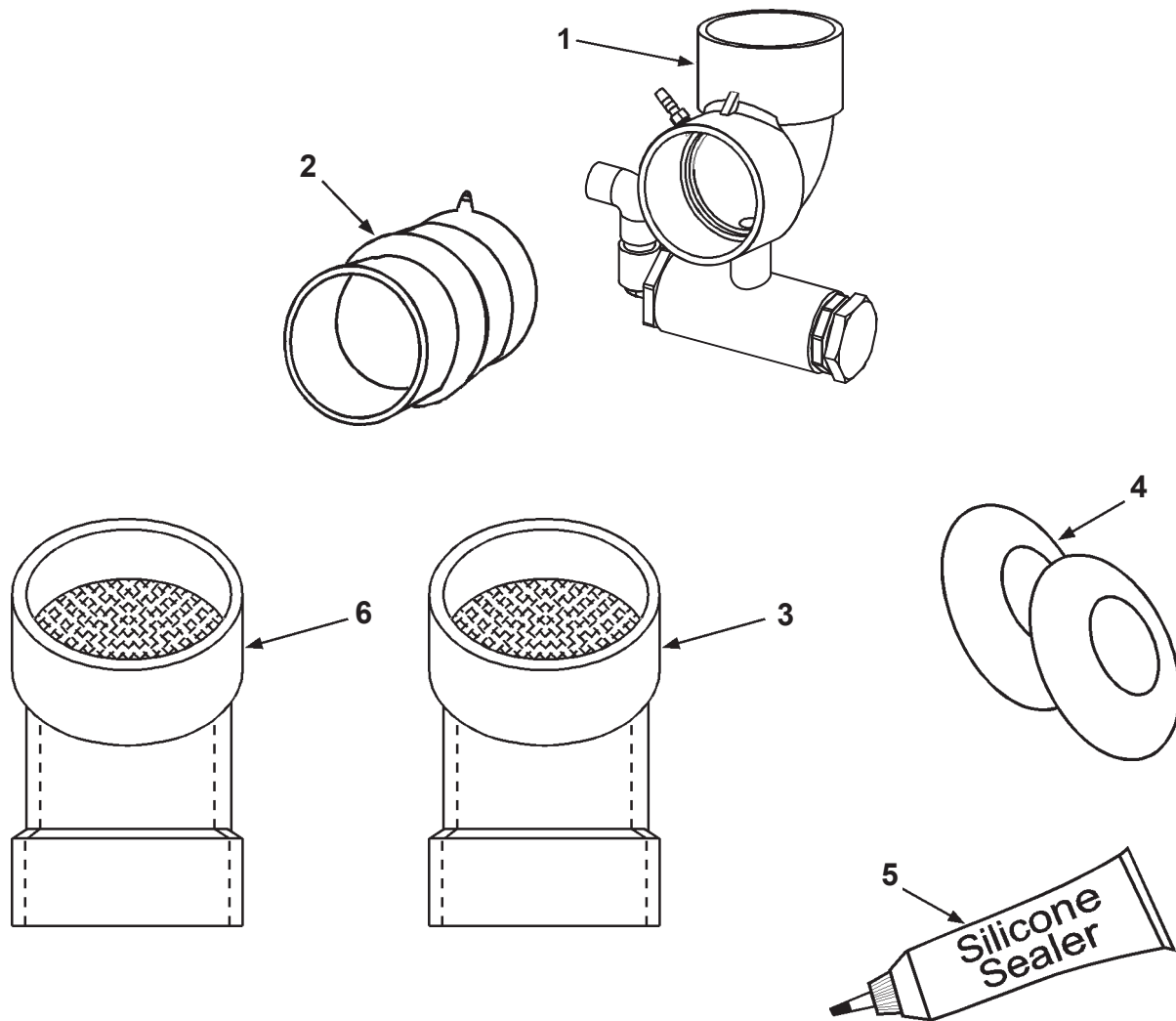
\*: venturi for BTH-400 104 and BTH-500 104 Series only.



## EXHAUST ELBOW, VENT KIT & BLOWER INTAKE PARTS

Item	Description	BTH 300A 100/101	BTH 400A 101/104	BTH 500A 101/104
<b>EXHAUST ELBOW AND FITTINGS</b>				
1.....	Exhaust Elbow Assembly .....	9007246005.....	9007246005.....	9007246005
*1 .....	Exhaust Elbow Assembly (Canada) .....	9006333005.....	9006333005.....	9006333005
2.....	Connector, Exhaust .....	9006111205 .....	9006111205 .....	9006111205
<b>VENT KIT PARTS</b>				
3.....	Intake/Vent Terminal .....	9006112205.....	9006112205.....	9006112205
4.....	Wall Plates (2 required) .....	9006113205.....	9006113205.....	9006113205
5.....	Silicone Sealer, 2 oz. tube .....	9004365105.....	9004365105.....	9004365105
6.....	Exhaust Vent Terminal (US) .....	9006112205.....	9006112205.....	9006112205
6.....	Exhaust Vent Terminal (Canada).....	9006331005.....	9006331005.....	9006331005

\*EFFECTIVE JULY 1, 2008



## NOTES:



**A.O. Smith Water Heater Parts Fulfillment**  
125 Southeast Parkway  
Franklin, TN 37068  
1-800-433-2545  
[www.hotwater.com](http://www.hotwater.com)